

TS Series

TS-CE... Combustion Enclosures with LMV3...



Description

TS-CE... series combustion enclosure with Siemens LMV3 linkageless controller sets the new standard for combustion control and monitoring technologies. The preprogrammed touchscreen and optional PLC annunciation packages provide monitoring and control for any burner/boiler installation with excellent control capability, configuration flexibility, and simple connectivity to an SCC Master Lead/Lag panel. The TS-CE... combustion enclosure provides easy installation.

The TS-CE... combustion control panels with LMVs provide a common centralized center to monitor and retrieve information, resulting in efficient operation of the burner.

All burner flame safeguard and combustion safety control is performed by the advanced Siemens linkageless controller.

Touchscreen options include Modbus TCP/IP communication to a separate master lead/lag panel, or to a third party BMS as standard with touchscreens. Optional capability to communicate with building management systems is available via Modbus RTU, RS232 or RS485 connections, Johnson Metasys N2, BACnet MSTP or BACnet IP, Ethernet/IP, LonWorks, Profinet, and Profibus.

Features

TS-CE... combustion enclosure with LMV3 is UL 508 listed and includes the following:

- 6", 10", 12" or 15" touchscreen option
- LMV36 or LMV37 Siemens linkageless control and flame safeguard
- Backlit AZL23 display
- Control of up to two (2) SQM33 actuators for single fuel applications
- Control of up to three (3) SQM33 actuators for dual fuel applications
- Programmable logic controller (PLC)
- Steam or hot water boiler control
- Flame supervision and flame strength monitoring
- UV scanner
- Single or dual fuel
- Oil pump control
- Blower motor control
- Atomizing compressor control
- Lead/lag ready with SCC TS... master lead/lag panel
- VSD control
- Blower motor sensor for motor RPM monitoring
- Low fire hold based on temperature
- Shell water temperature monitoring
- External and proven interlocks
- Actuator position display
- LMV3 fault history
- Burner operating phase display
- Local touchscreen interface with Siemens LMV.../RWF controllers
- Configurable boiler graphics and field tag information
- LMV... static, fuel, and error history displayed
- Fuel-Air ratio control curve displayed on touchscreen
- Alarm history for most recent 250 faults/alarms
- Detailed annunciation of LMV... digital inputs and outputs
- Remote setpoint, firing rate, and/or enable of the LMV... or RWF... via BMS
- Water level control option and status via RWF55, or PLC
- One or three element feedwater control
- Circulating pump VFD control hot water boilers
- Metric or Standard units displayed
- Clear English or Spanish text for alarms

- Circulating pump/isolation valve control outputs for hydronic boilers (option with expanded annunciator)
- Expanded annunciator options include:
 - Four analog inputs with field configurable label, span and type (0-10V, 2-10V, 0-20mA or 4-20mA), low and high alarm setpoints, with auto or manual reset. Totalization available per minute or per hour.
 - Two analog outputs with field configurable span and type (0-10V, 2-10V, 0- 20mA or 4-20mA); low and high alarm setpoints, with auto or manual reset. Totalization available per minute or per hour.
 - Two dedicated analog outputs for circulating pump VFD control, and water level control, with field configurable span (4-20mA); low and high alarm setpoints, with auto or manual reset.
 - Twelve universal inputs to be field configured for either 1000 or 100 ohm RTDs, or thermocouples type K, or J temperature inputs, analog inputs 4-20mA, with field configurable label, low and high alarm setpoints, with auto or manual reset.
 - Two digital outputs with field configurable logic, including on and off delays. Manual or automatic reset.
 - First-out annunciation option, including fourteen 120 VAC inputs with field labeling capability
 - Eight selectable data logging variables stored in CSV format on USB drive.
 - Four selectable variables for trending up to 7 days.
 - Economizer temperature monitoring.
 - Draft control with SQM5 actuator.
 - Connection for two additional RWF55 controllers.
- Screen saver with PV, setpoint, demand, and status
- Standard Modbus TCP/IP to BMS communications
- Additional BMS communication options available
- Email communications and text messaging for up to six (6) recipients include alarms, faults, and screen shots (screen shot viewer via USB)
- Remote monitoring via smartphone or tablet
- Compatible with SCC Master Panel Lead/Lag system

Application

TS-CE...combustion enclosure panel with LMV3 systems are suited for hot water and steam boilers, with up to 88.5 in/lbs of actuator torque, for single or dual fuel applications.

Standard Components

- LMV3 linkageless parallel positioning flame safeguard
- Power fail relay
- System alarm
- Circuit breaker, 3 Amp, single pole
- Circuit breaker, 10 Amp, single pole
- Non-fused disconnect switch
- Burner ON/OFF switch
- Three position fuel selector switch
- Safety limits powered, white indicator light
- Safety limits complete, green indicator light
- Pilot burner ON, yellow indicator light
- Gas valve open, blue indicator light
- Oil valve open, yellow indicator light
- Power fail, red illuminated indicator light with reset push button
- Low water, red illuminated indicator light with reset push button
- LMV error, red illuminated indicator light with reset push button
- Alarm reset push button
- Alarm horn
- Gray terminals, general
- White terminals, 120 VAC neutral
- Black terminals, 120 VAC hot
- Red terminals, 24 VDC +
- Blue terminals, 24 VDC -
- Orange terminals, 24 VAC
- Yellow terminals, dry contact powered from second source
- Green, non-grounding, shield terminals
- Green/Yellow PE terminals

Optional Components

- 6", 10", 12" or 15" touchscreen
- Programmable Logic Controller with additional annunciation inputs
- Second CANbus power transformer fuse protection with fuses and fuse holder
- LWCO manual and auto reset Warrick relays for probe type level control
- Draft control with Siemens SQM5 actuator with type "A" control board only
- Analog inputs/outputs for water Level one or three element PLC feedwater control
- Analog inputs/outputs for circulating pumps steam or hot water PLC VFD control
- Fan air cooling
- Additional RWF... external load or water level controller
- BMS communication options other than Modbus TCP/IP
- Three phase option includes:
 - Main three phase fused disconnect 30Amps/60Amps/100Amps
 - VSD three phase fuses and fuse holders
 - Blower motor starter for up to 20hp with overload and built in disconnect
 - Oil motor starter for up to 10hp with overload and built in disconnect
 - Compressor motor starter for up to 20hp with overload and built in disconnect
 - 1000 VA circuit control transformer
 - Fan air cooling
- Deaerator/Surge control panels, (See TS-3000)
- Master Lead/Lag control panels, (See TS-2000)

Product Part Numbers

TS	-	CE	6	3	-	0	D	X	H	S	-	1	3	-	X	X	X	X
Touchscreen																		
Combustion Enclosure																		
LMV Model																		
6 = LMV36.520A1 (Single Fuel, Gas)																		
7 = LMV37.420A1 (Single Fuel, Gas)																		
D = LMV36.520A1 with AGM60 (Dual Fuel, Gas/Oil)																		
A = LMV36.520A1 (Single Fuel, Oil)																		
B = LMV37.420A1 (Single Fuel, Oil)																		
Load Controller (LC) or Water Level (WL)																		
1 = RWF50.30A9 load controller (LC)																		
3 = RWF55.50A9 load controller (LC)																		
6 = Two (2) RWF55.50A9 LC/WL Controllers and SKB/C/D																		
Touch Screen																		
X = No Touchscreen																		
6 = 6" Schneider Touchscreen																		
0 = 10" Schneider Touchscreen																		
A = 6" touchscreen w/bezel for future 10" TS (10" TS ordered separately)																		
B = No touchscreen, bezel for future 10" TS (10" TS ordered separately)																		
Draft Control																		
X = No Draft Control																		
D = Draft control																		
PLC Circulating Pump VFD/Water Level Control/Additional Digital Inputs Outputs (Touchscreen/Annunciation Selection Required)																		
X = No feedwater or circulating pump VFD control, no additional monitored values																		
3 = PLC three element feedwater and level control (Steam boilers)																		
4 = PLC single element feedwater and level control																		
5 = PLC circulation pump VFD control (Hot water boilers)																		
6 = PLC circulation pump VFD/Water level control, and additional 2 digital Inputs/8 digital outputs																		
7 = Additional (2) digital Inputs and (8) digital outputs																		
Annunciation (Touchscreen Selection Required)																		
X = No annunciation inputs																		
A = Standard annunciation, (14) 120 VAC inputs																		
B = (14) 120 VAC inputs, (4) analog inputs, and (2) analog outputs																		
C = (14) 120 VAC inputs and (4) generic analog inputs (AI, RTD, or TC)																		
D = (14) 120 VAC inputs and (8) generic analog inputs (AI, RTD, or TC)																		
E = (14) 120 VAC inputs and (12) generic analog inputs (AI, RTD, or TC)																		
F = (14) 120 VAC inputs, (4) analog inputs, (4) generic analog inputs (AI, RTD, or TC), and (2) analog outputs																		
G = (14) 120 VAC inputs, (4) analog inputs, (8) generic analog inputs (AI, RTD, or TC), and (2) analog outputs																		
H = (14) 120 VAC inputs, (4) analog inputs, (12) generic analog inputs (AI, RTD, or TC), and (2) analog outputs																		
BMS Communication																		
X = No BMS Communication																		
R = Modbus RTU485 BMS communication (standard option if TS not included)																		
S = Modbus TCP/IP BMS communication (standard option if TS included)																		
B = BACnet /IP, or Ethernet IP BMS communication																		
M = N2 Metasys, BACnet MS/TP, or BACnet RTU BMS communication																		
N = PROFINET BMS communication																		
P = PROFIBUS BMS communication																		
Enclosure																		
1 = NEMA 1																		
2 = NEMA 12, includes cover over touchscreen and AZL/RWF (if applicable)																		
4 = NEMA 4X (indoor), includes cover over AZL/RWF (if applicable)																		
A = NEMA 1 with cooling fan																		
B = NEMA 12 with cooling fan, includes cover over touchscreen and AZL/RWF and NEMA 12 fan filter(if applicable)																		
C = NEMA 4X with cooling fan, includes cover over touchscreen/AZL/RWF, and and Stainless Steel cover over fan (if applicable)																		
Warrick Relays																		
X = None																		
1 = One manual reset Warrick relay																		
2 = One auto reset Warrick relay																		
3 = One auto and one manual reset Warrick relays																		
D = High water alarm light only no Warrick relays																		
J = Dual function Warrick manual reset LWCO, highwater alarm and light, and Warrick auto reset LWCO																		
E = One manual reset Warrick relay, and highwater alarm light only																		
F = One auto reset Warrick relay, and highwater alarm light only																		
G = One auto and one manual reset Warrick relays, and highwater alarm light only																		
H = Dual function Warrick manual reset LWCO and highwater alarm and light																		
Voltage 3 Phase																		
X = 110-120 VAC, Internal 3 Phase not included																		
4 = 440 - 480 VAC																		
Blower Motor Horsepower Starter or VSD Control (480VAC)																		
X = Internal 3 phase not included																		
D = Blower motor starter for 3 HP																		
E = Blower motor starter for 5 HP																		
G = Blower motor starter for 7.5 HP																		
J = Blower motor starter for 10 HP																		
O = Blower motor starter for 15 HP																		
T = Blower motor starter for 20 HP																		
X = Internal 3 phase not included																		
2 = Connections for blower motor VSD 3 HP																		
3 = Connections for blower motor VSD 5 HP																		
4 = Connections for blower motor VSD 7.5 HP																		
5 = Connections for blower motor VSD 10 HP																		
6 = Connections for blower motor VSD 15 HP																		
7 = Connections for blower motor VSD 20 HP																		
Oil Pump Starter HP (480VAC)																		
X = Internal 3 phase not included																		
A = Oil pump motor starter for 1 HP																		
B = Oil pump motor starter for 1.5 HP																		
C = Oil pump motor starter for 2 HP																		
D = Oil pump motor starter for 3 HP																		
E = Oil pump motor starter for 5 HP																		
G = Oil pump motor starter for 7.5 HP																		
J = Oil pump motor starter for 10 HP																		
Air Compressor Pump Starter HP (480VAC)																		
X = Internal 3 phase not included																		
D = Compressor motor starter for 3 HP																		
E = Compressor motor starter for 5 HP																		
G = Compressor motor starter for 7.5 HP																		
J = Compressor motor starter for 10 HP																		
O = Compressor motor starter for 15 HP																		
T = Compressor motor starter for 20 HP																		

Date: 10/23/2023

***Universal inputs:**

There are four universal inputs per input module. Each module must be configured for the same input, either 4-20 mA, Thermocouple type K or J, or RTD 1000 or 100 ohms. If the maximum of three universal modules are included, the first and second modules may each be configured for a different input type and the third module will automatically be the same as the second universal module.

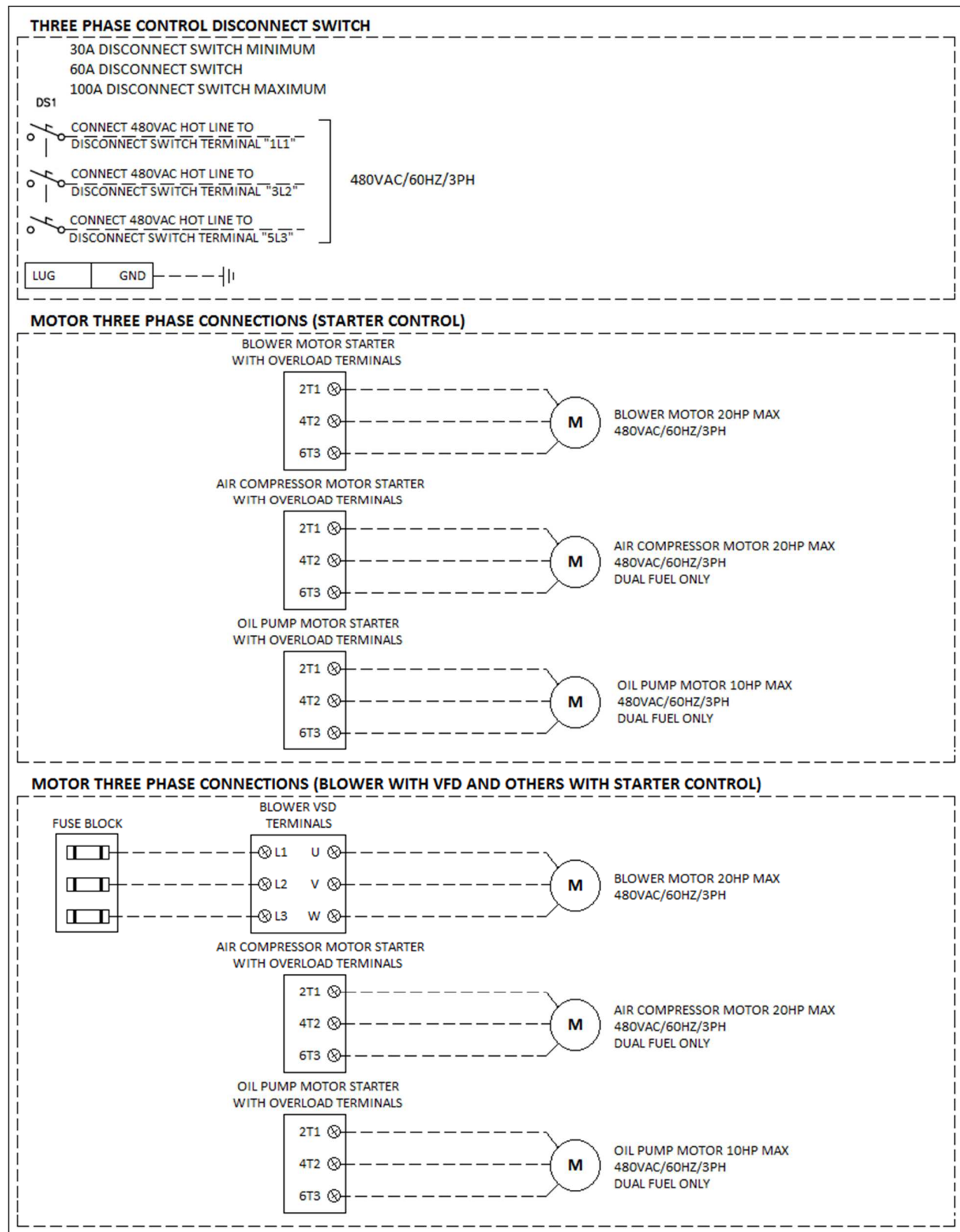
Specifications without 3 Phase Power

		With Touchscreen	W/out Touchscreen
Electrical characteristics	Main power	120 VAC	120 VAC
	Component power	24 VDC/VAC	120 VAC
	Power consumption	≤ 960 VA	≤ 740 VA
	<hr/>		
Operating environment	Operating temperature	32 to 122 °F [0 to 50 °C]	-4 to 140 °F [-20 to 60 °C]
	Humidity	Max. 85% with no condensation	Max. 85% with no condensation
<hr/>			

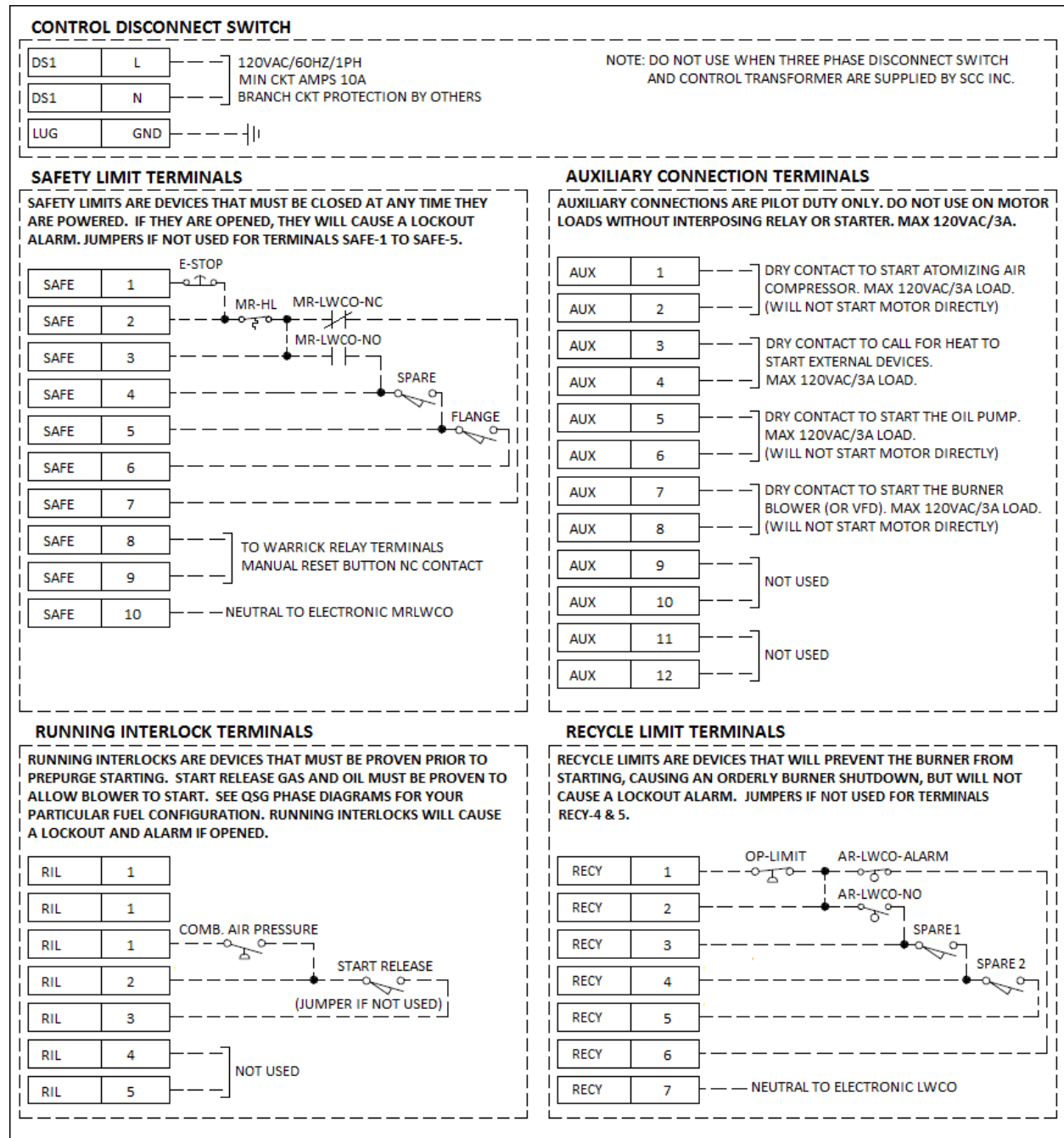
Specifications with 3 Phase Power

		With Touchscreen	W/out Touchscreen
Electrical characteristics	Main power	480 VAC	480 VAC
	Current	≤ 70 Amps	≤ 70 Amps
	Component power	24 VDC/120 VAC	120 VAC
	Power consumption	≤ 27.6 kVA	≤ 27.6 kVA
<hr/>			
Operating environment	Operating temperature	32 to 122 °F [0 to 50 °C]	-4 to 140 °F [-20 to 60 °C]
	Humidity	Max. 85% with no condensation	Max. 85% with no condensation

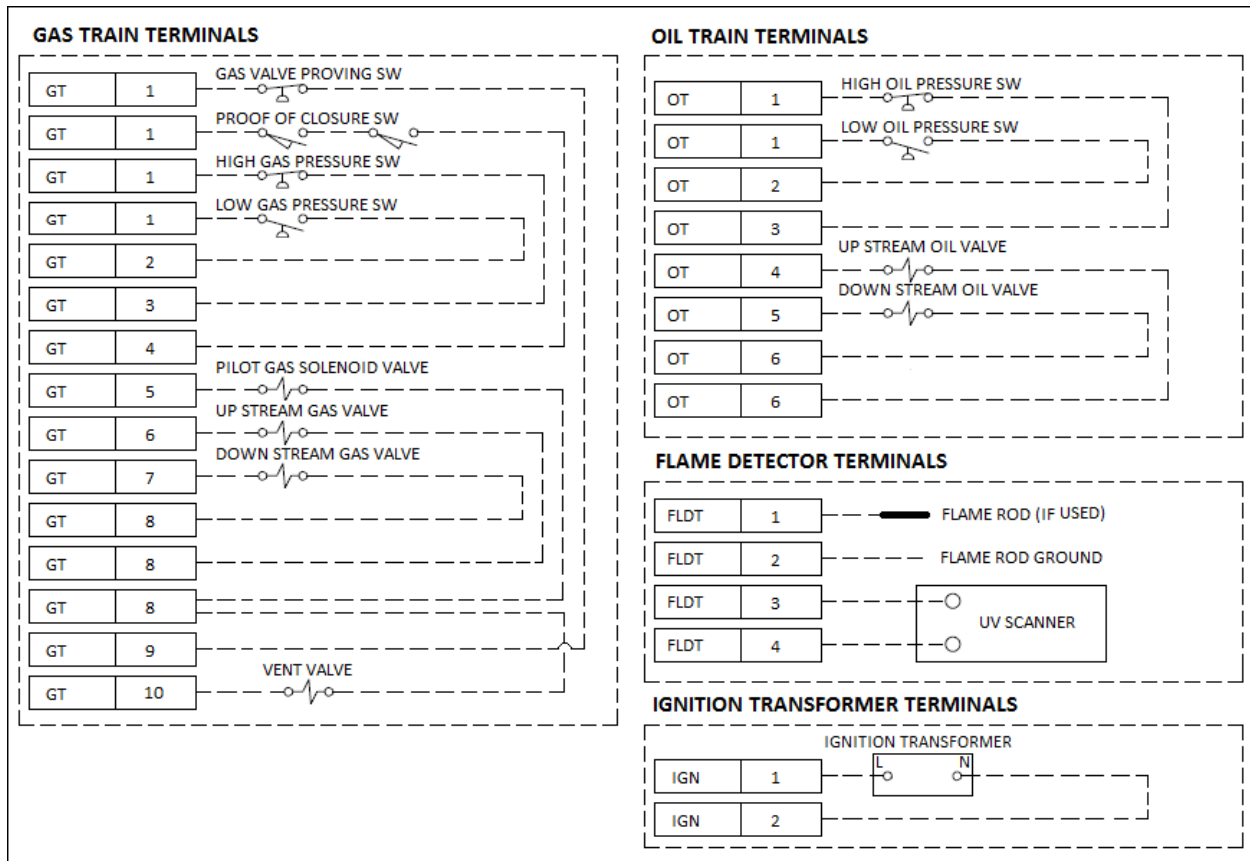
Connections



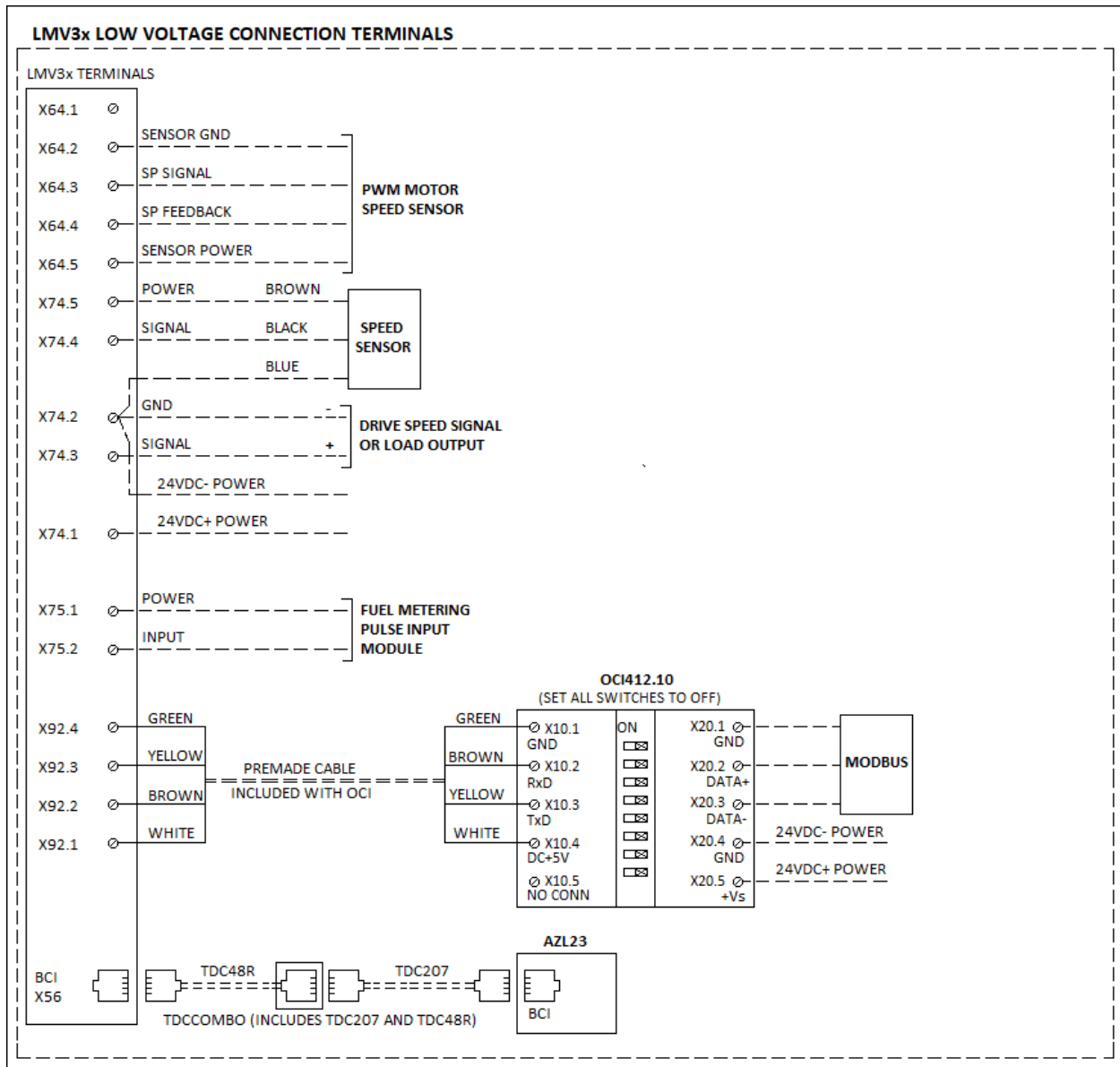
Connections (continued)



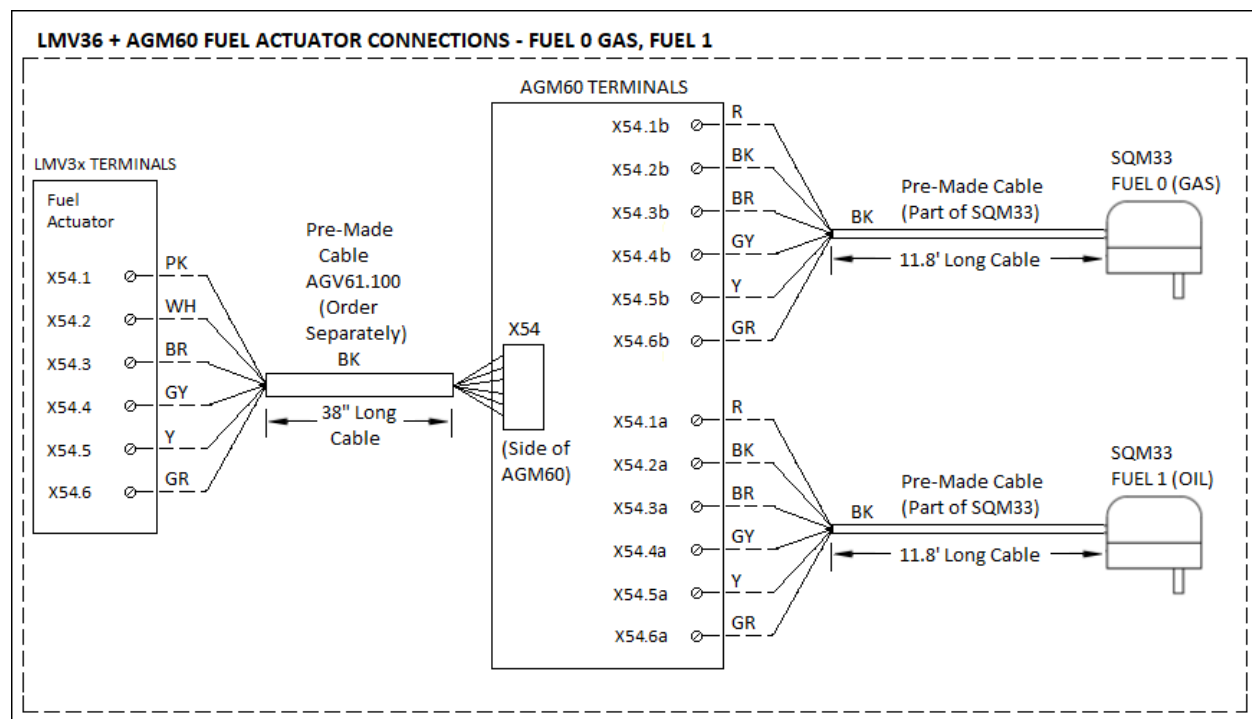
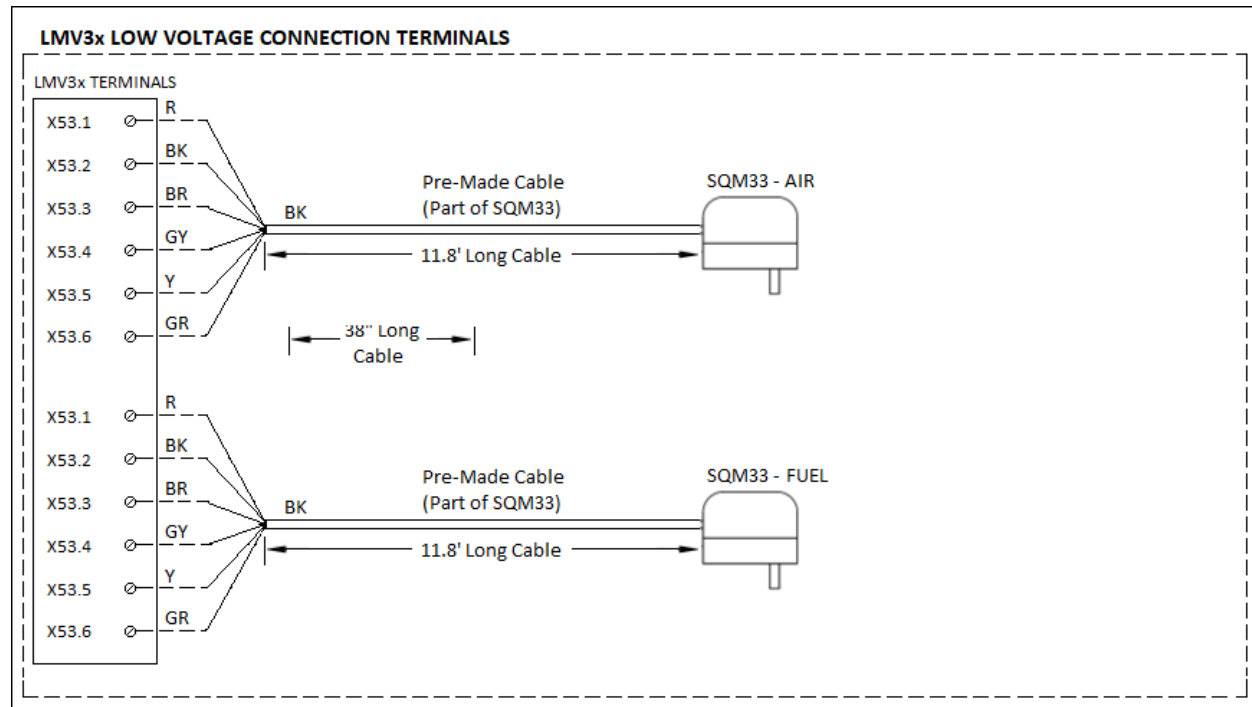
Connections (continued)



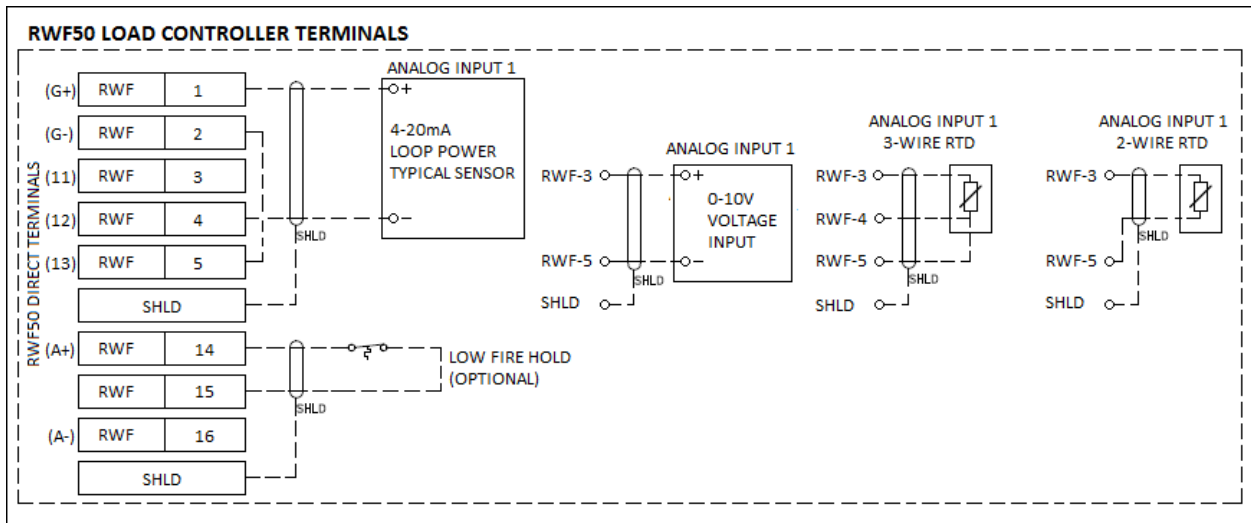
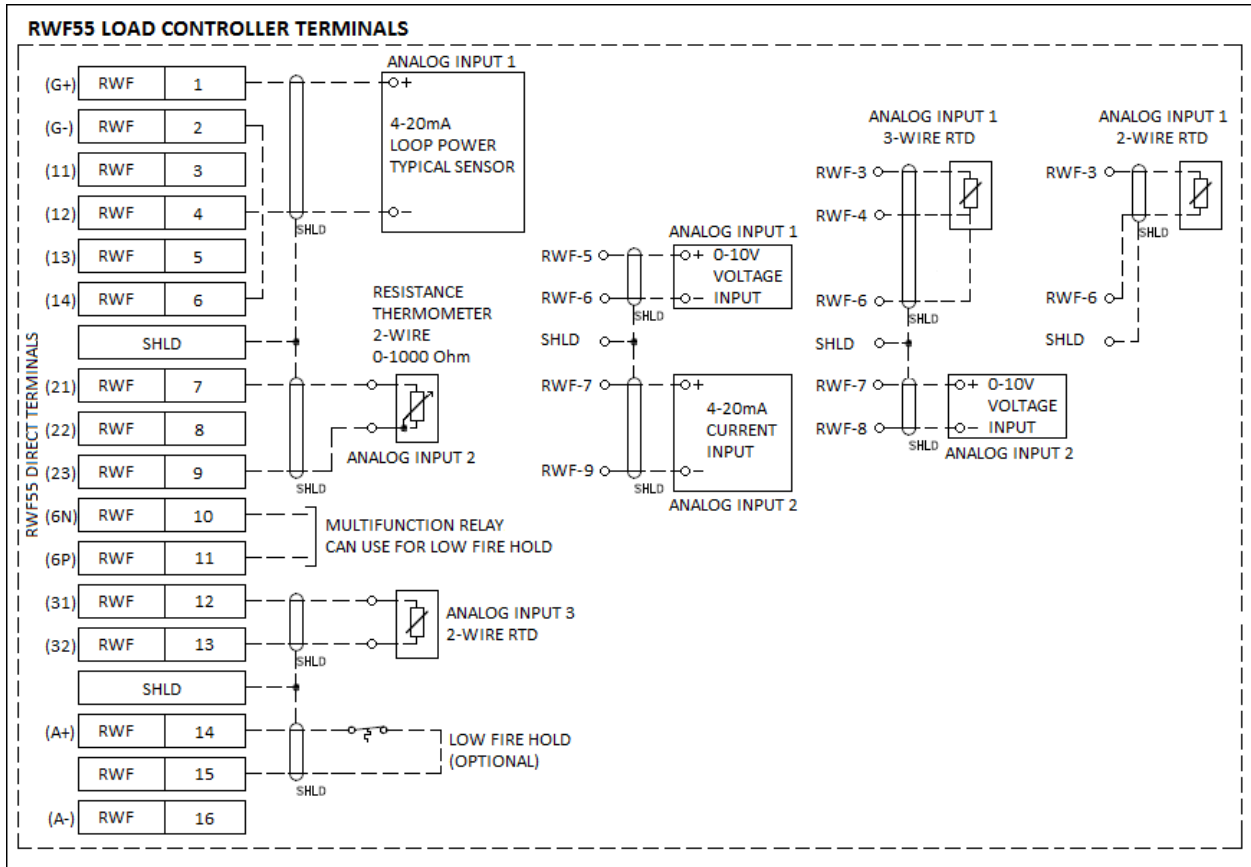
Connections (continued)



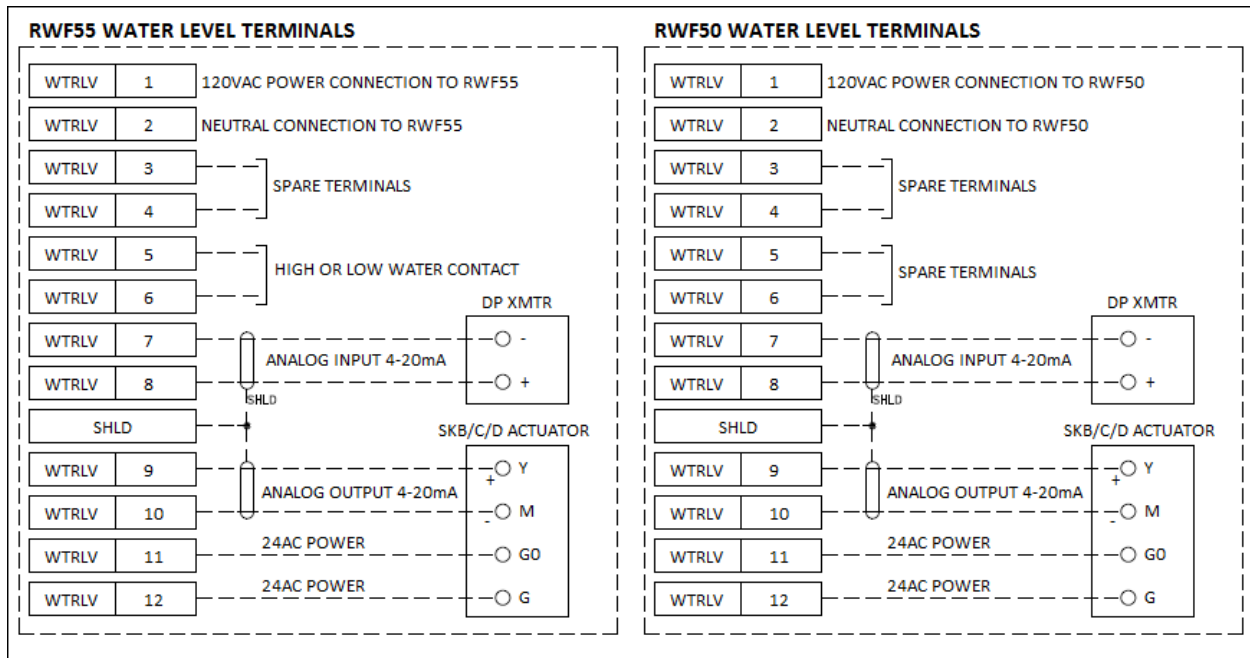
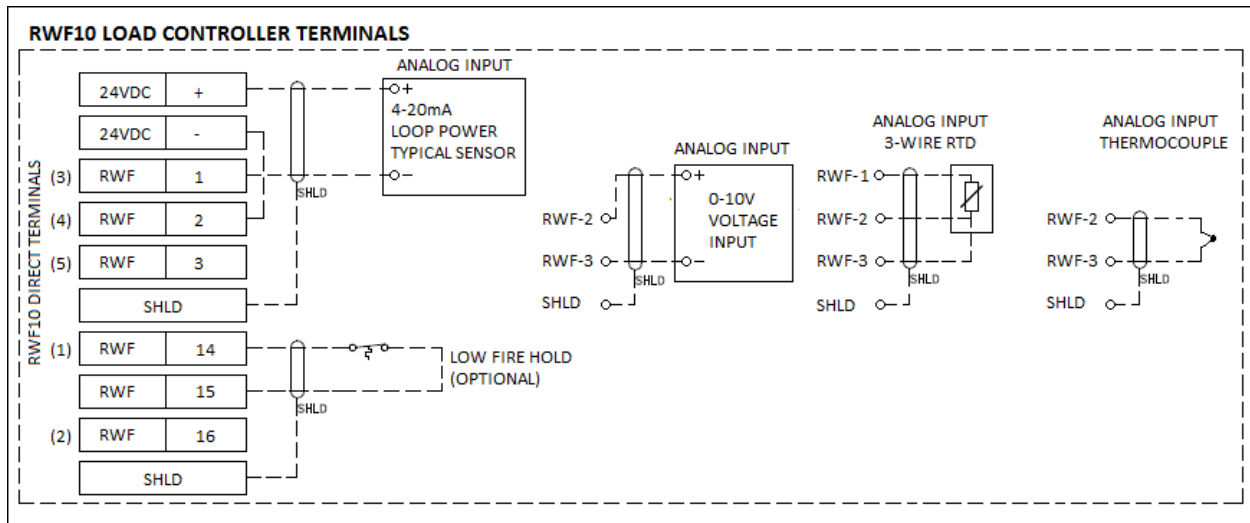
Connections (continued)



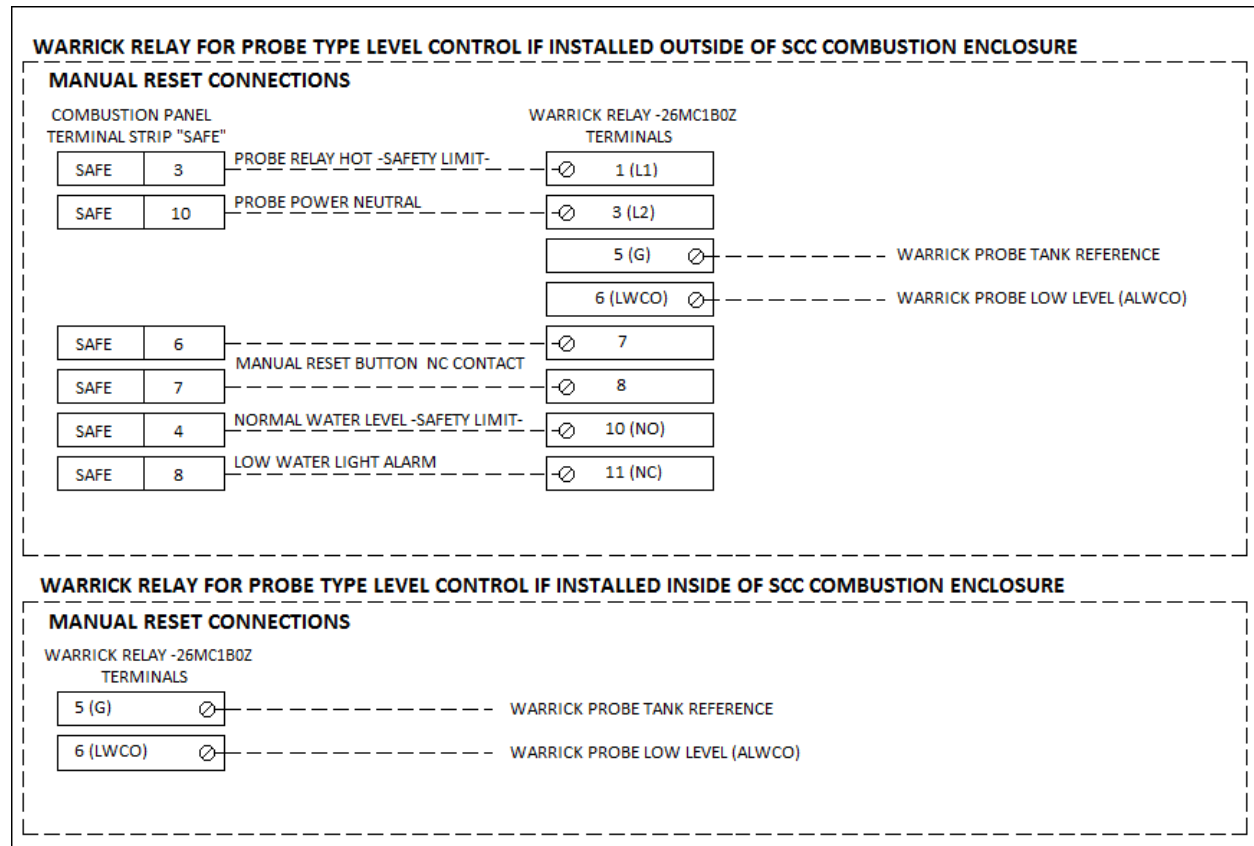
Connections (continued)



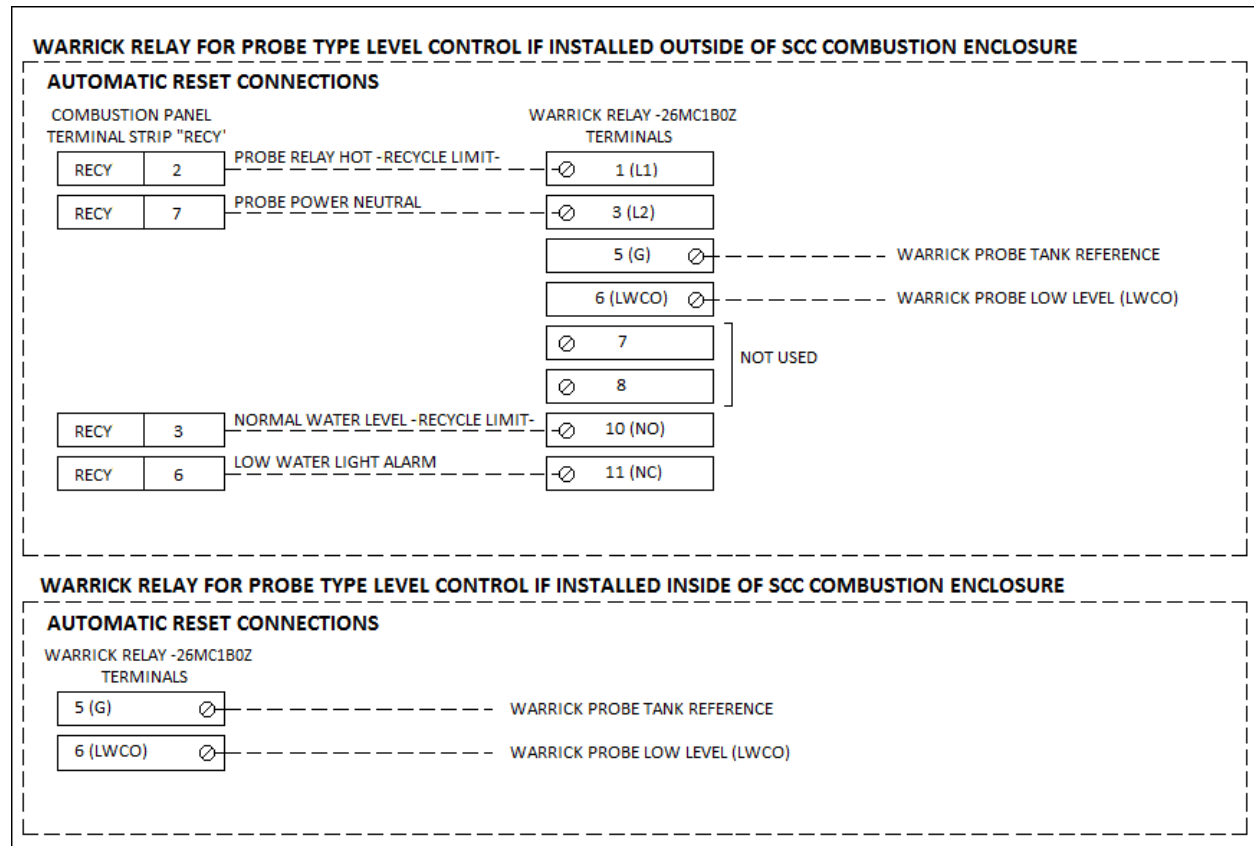
Connections (continued)



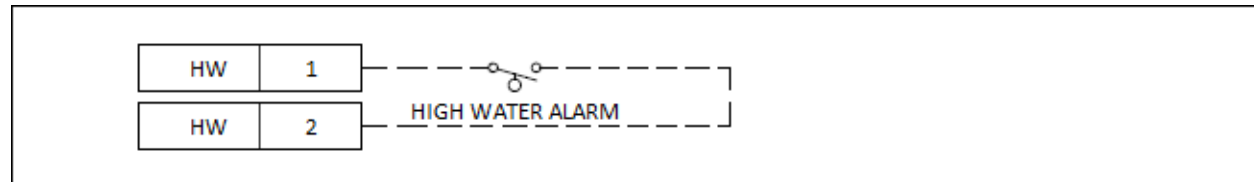
Connections (continued)



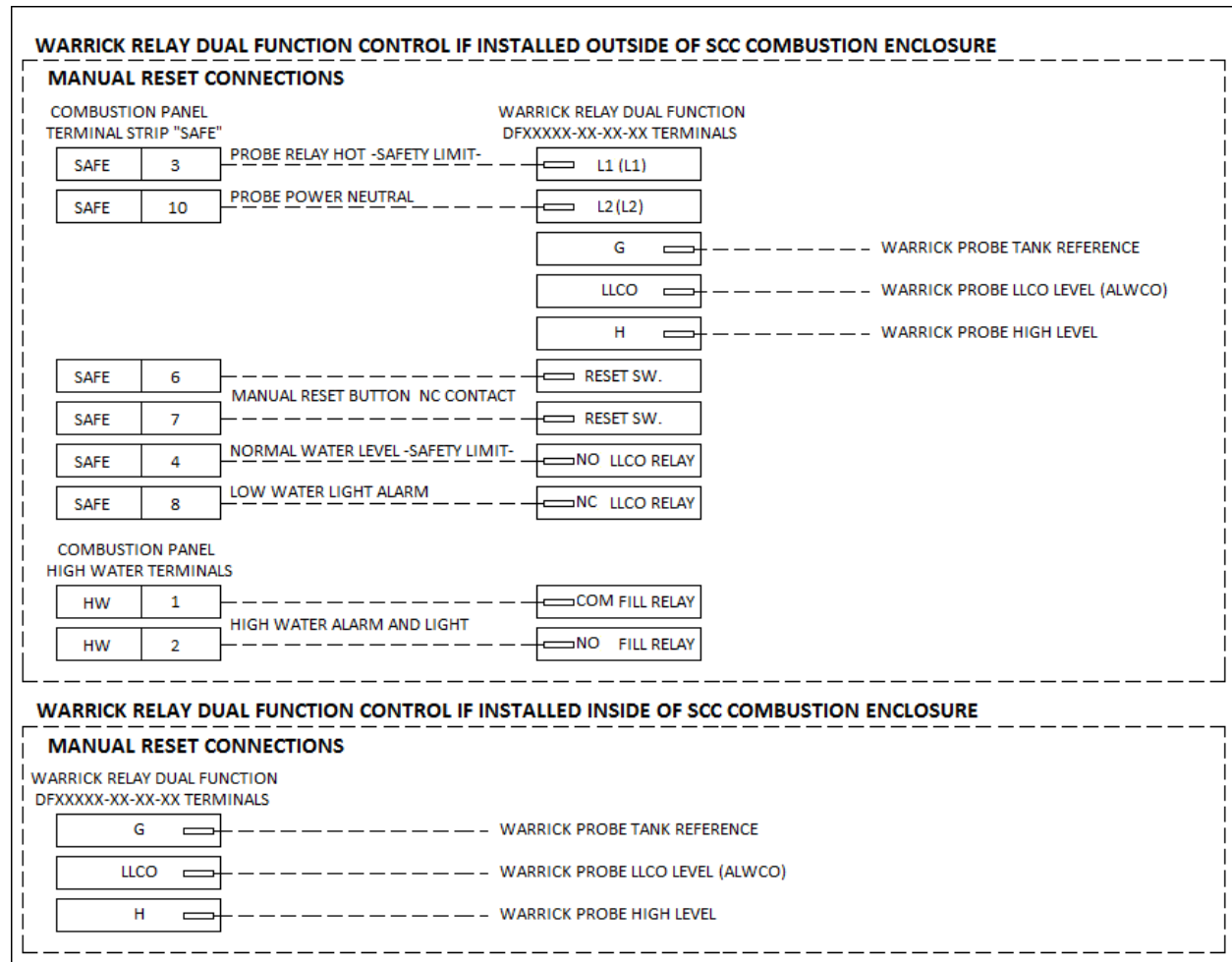
Connections (continued)



HIGH WATER ALARM

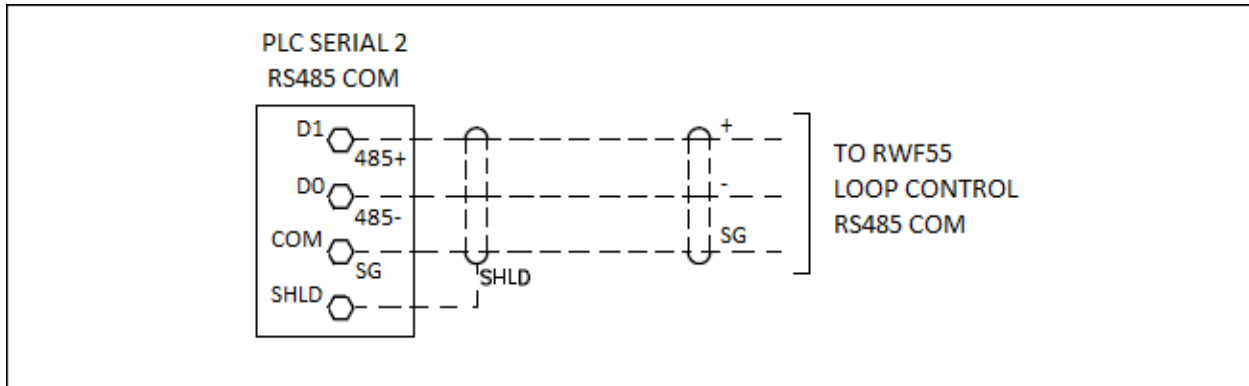


Connections (continued)

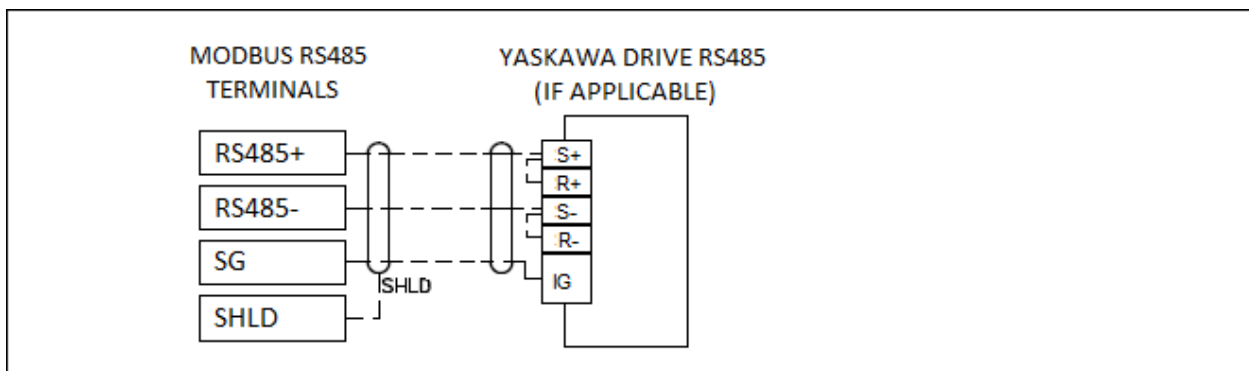


Connections (continued)

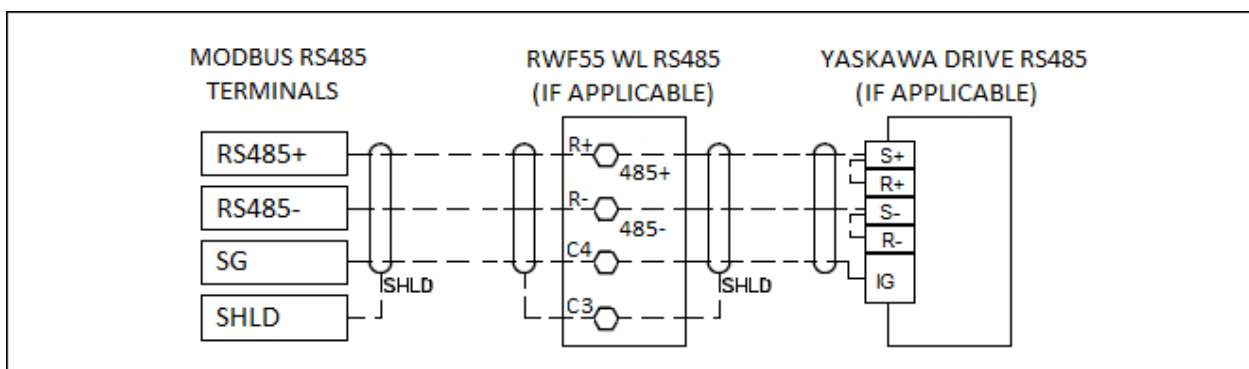
Additional RWF55 loop control Modbus connection. Only for kits with annunciation options for up to two connections:



Modbus RS485 serial connection with Yaskawa drive:

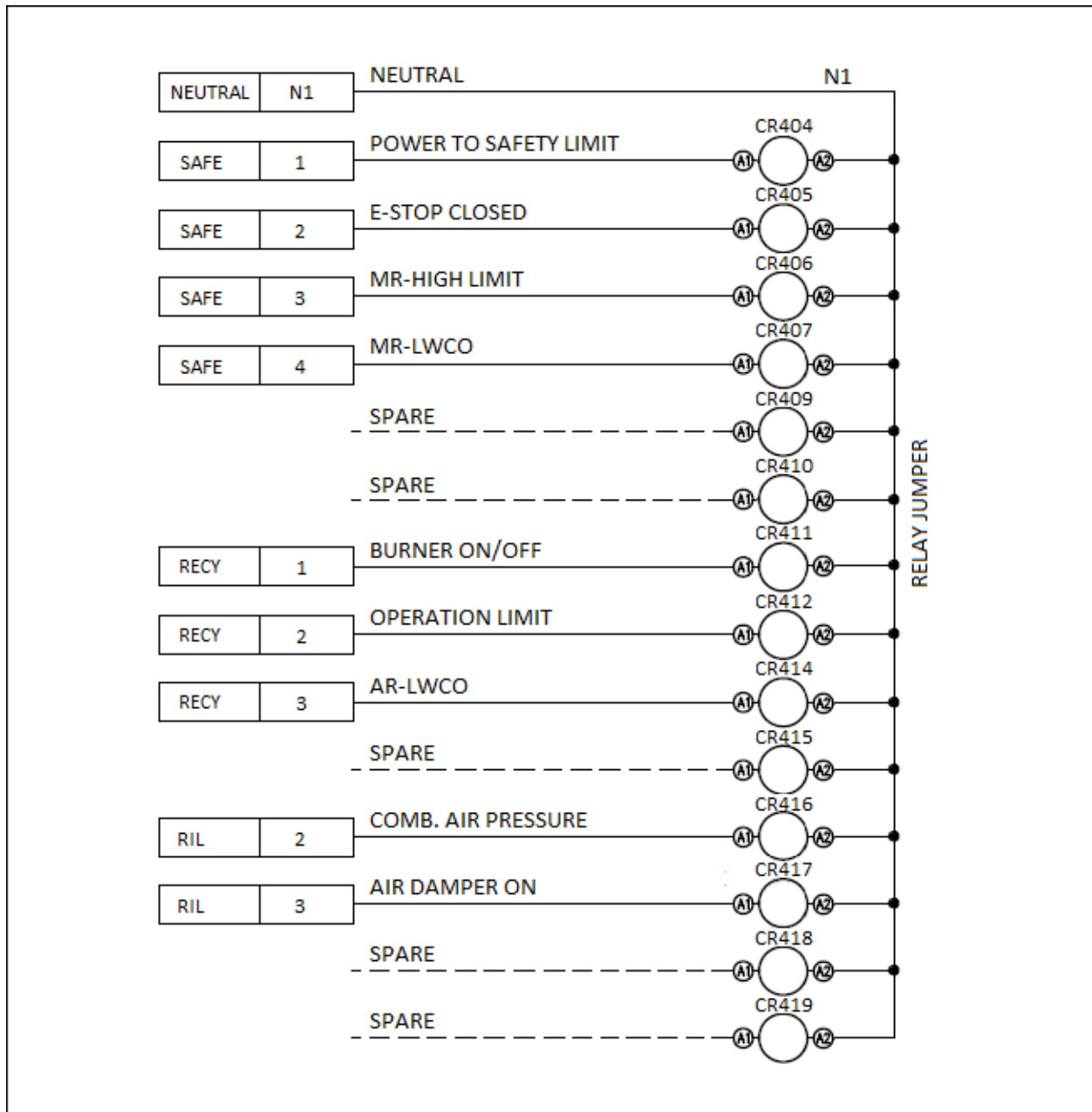


Modbus RS485 serial connection with RWF55 water level and Yaskawa drive:



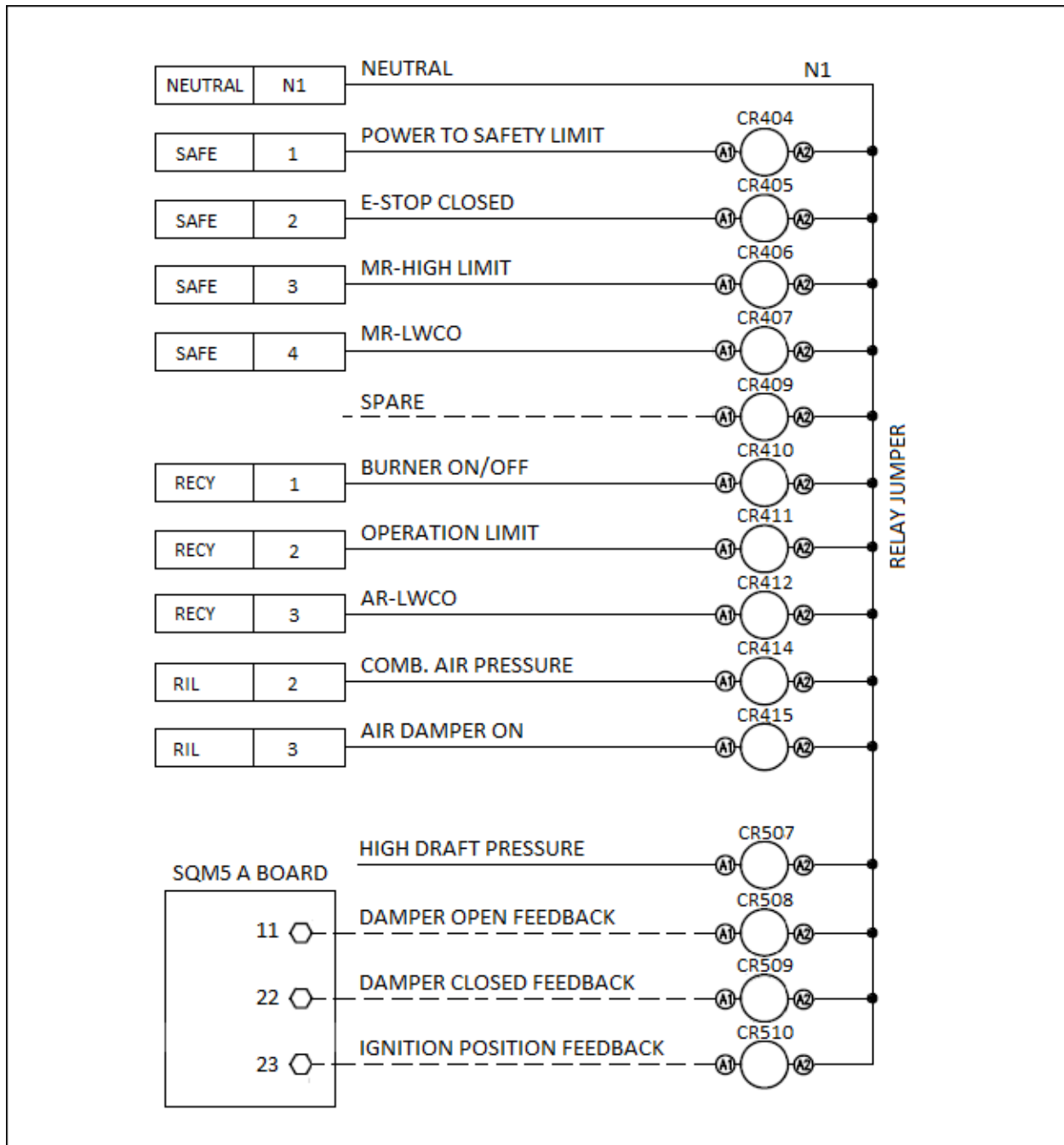
Connections (continued)

Standard annunciation fourteen (14) 120VAC inputs:



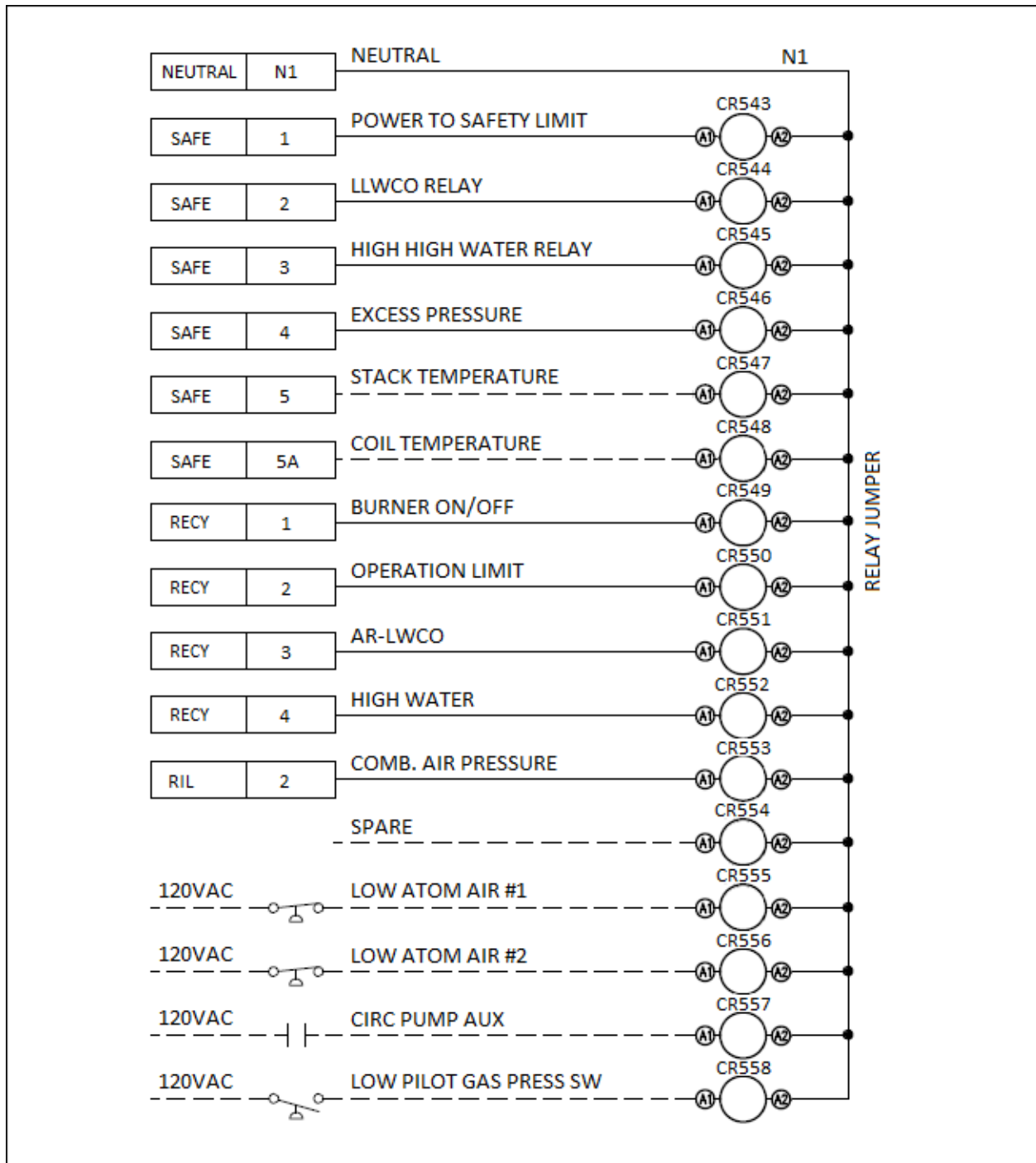
Connections (continued)

Standard annunciation fourteen (14) 120 VAC Inputs with draft control:



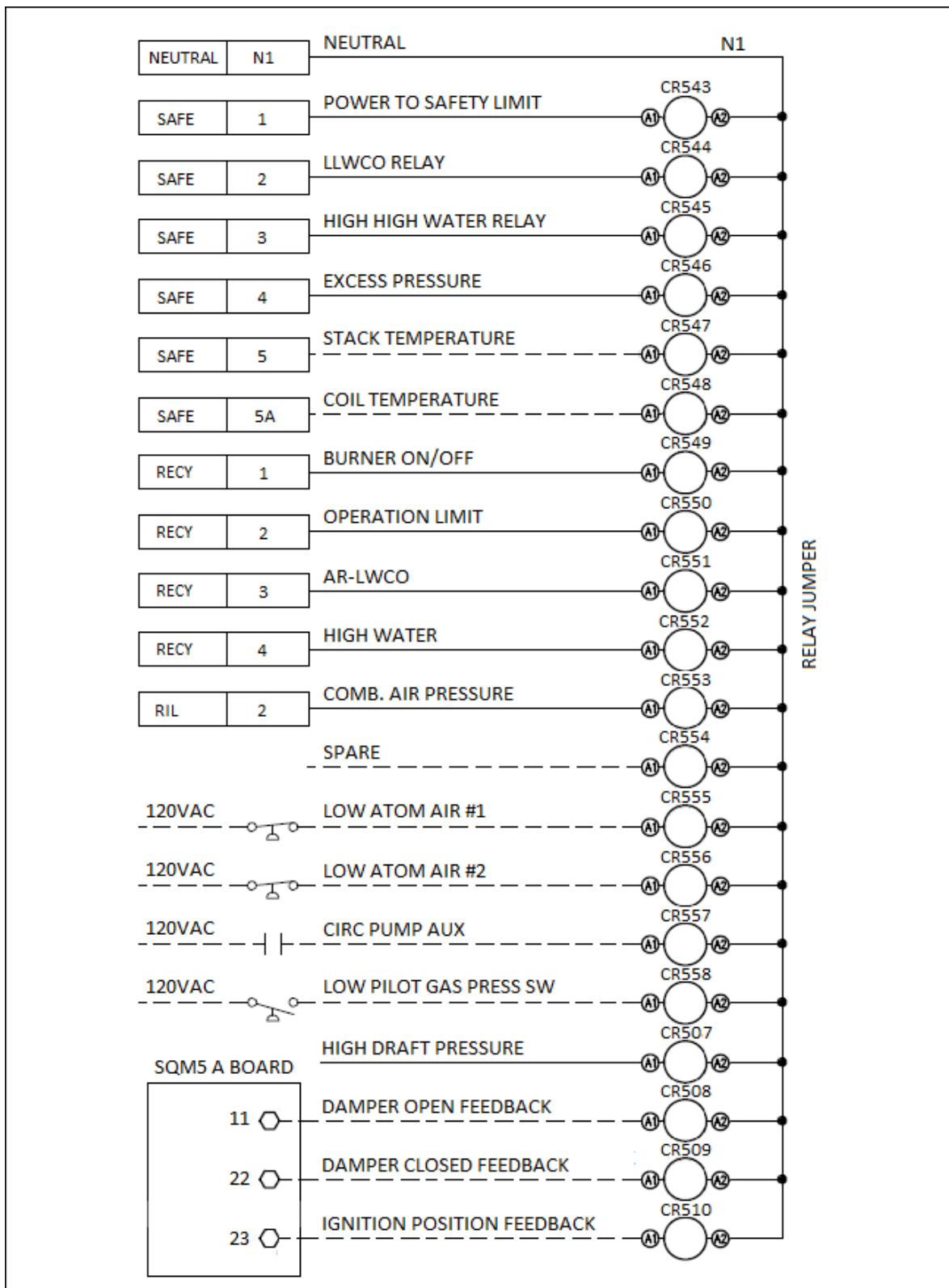
Connections (continued)

Standard annunciation sixteen (16) 120 VAC inputs:



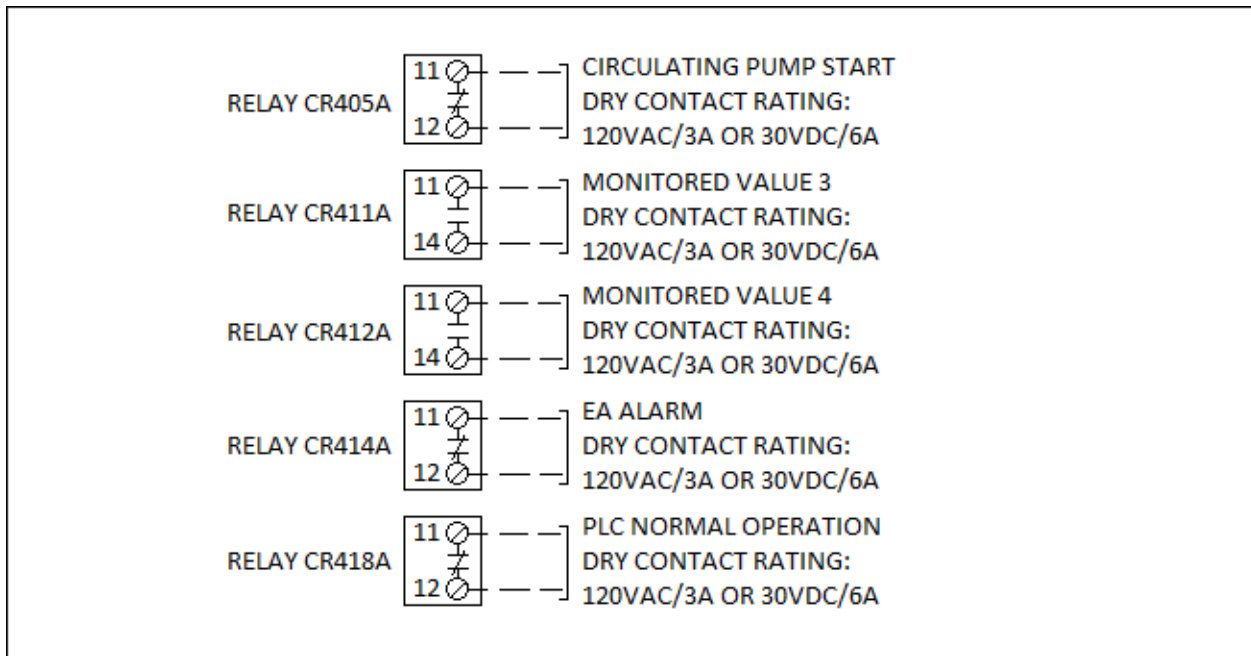
Connections (continued)

Standard annunciation sixteen(16) 120VAC inputs with additional three (4) inputs for draft control:



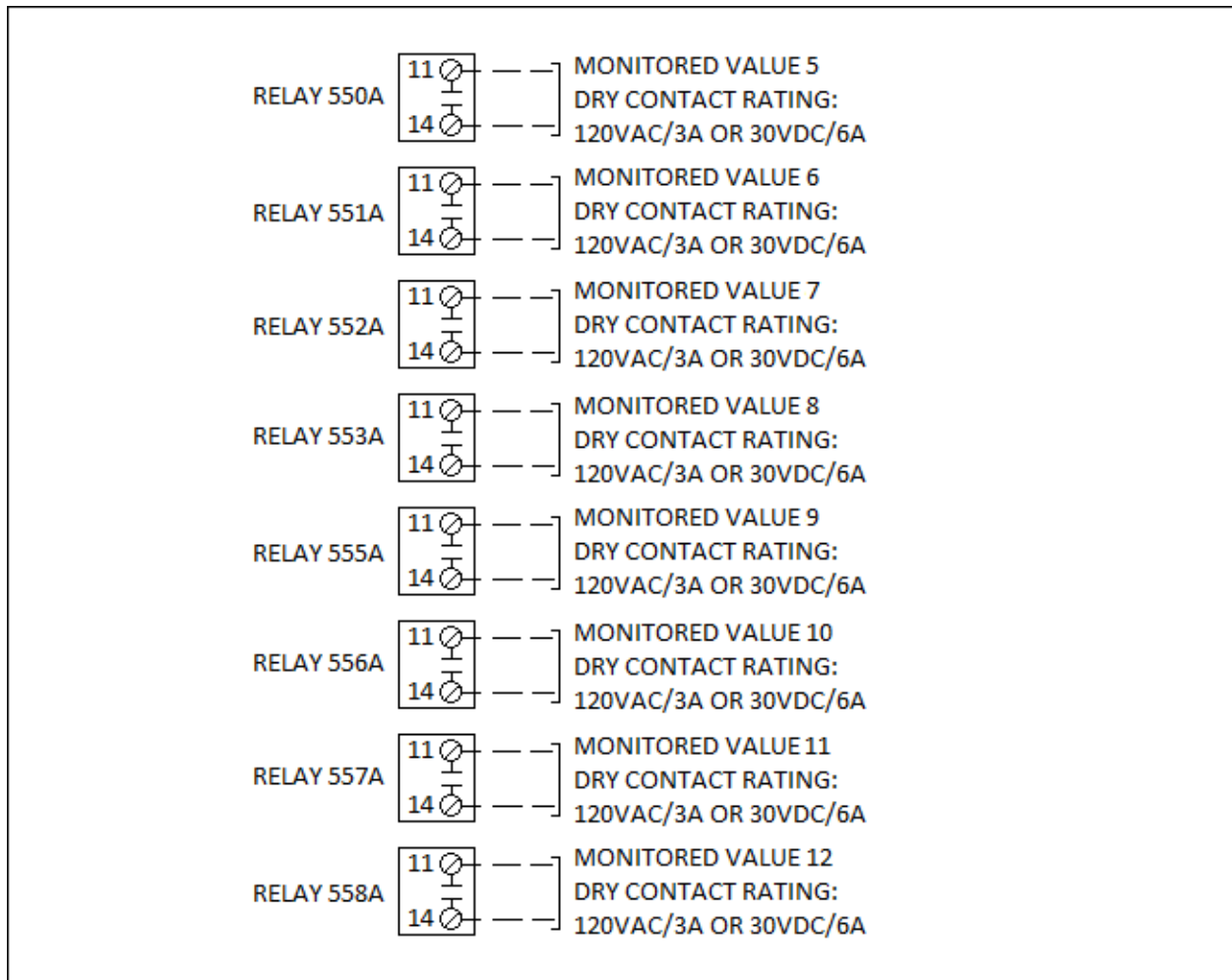
Connections (continued)

Output relay terminals:



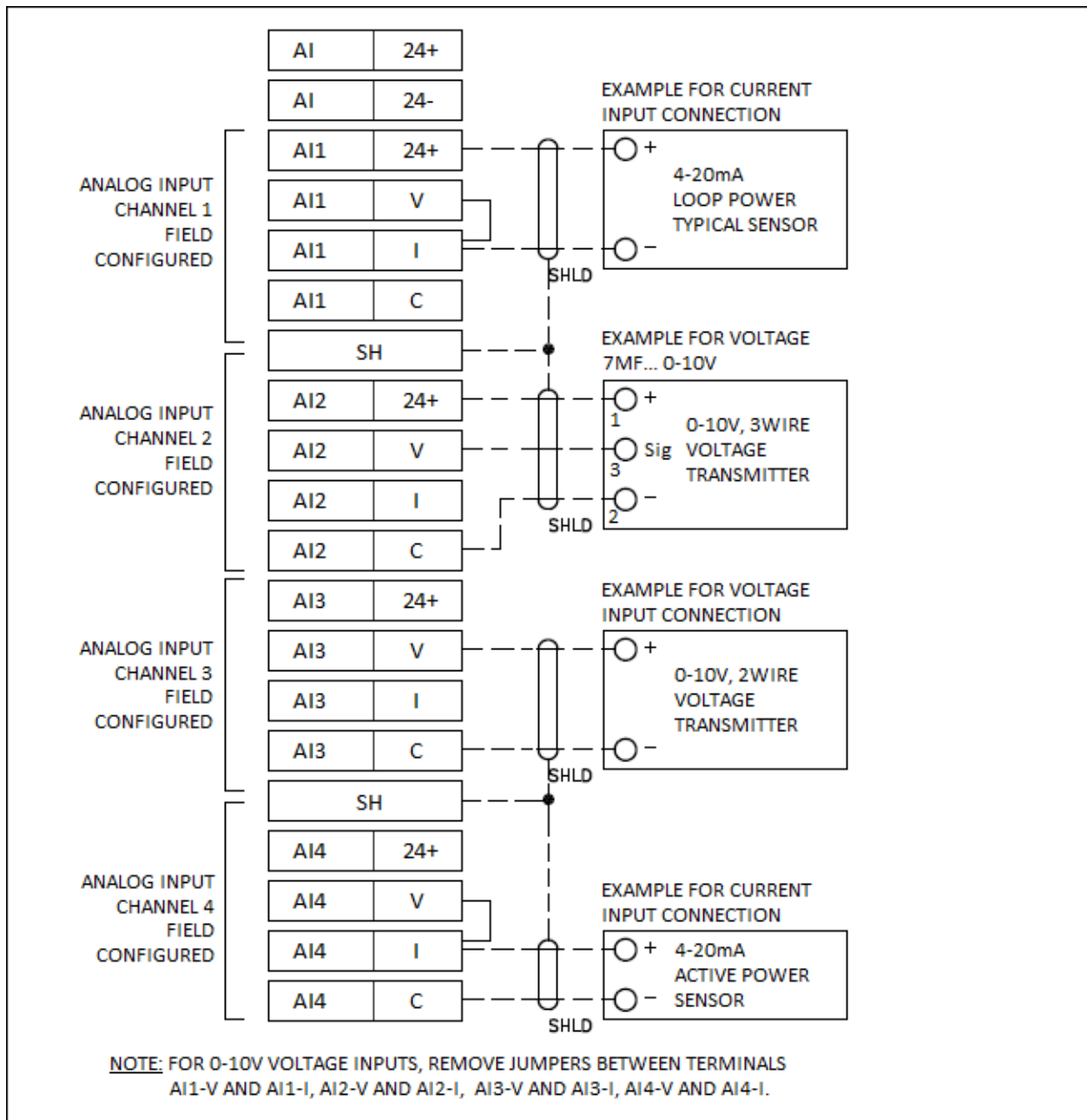
Connections (continued)

Additional output relay terminals:



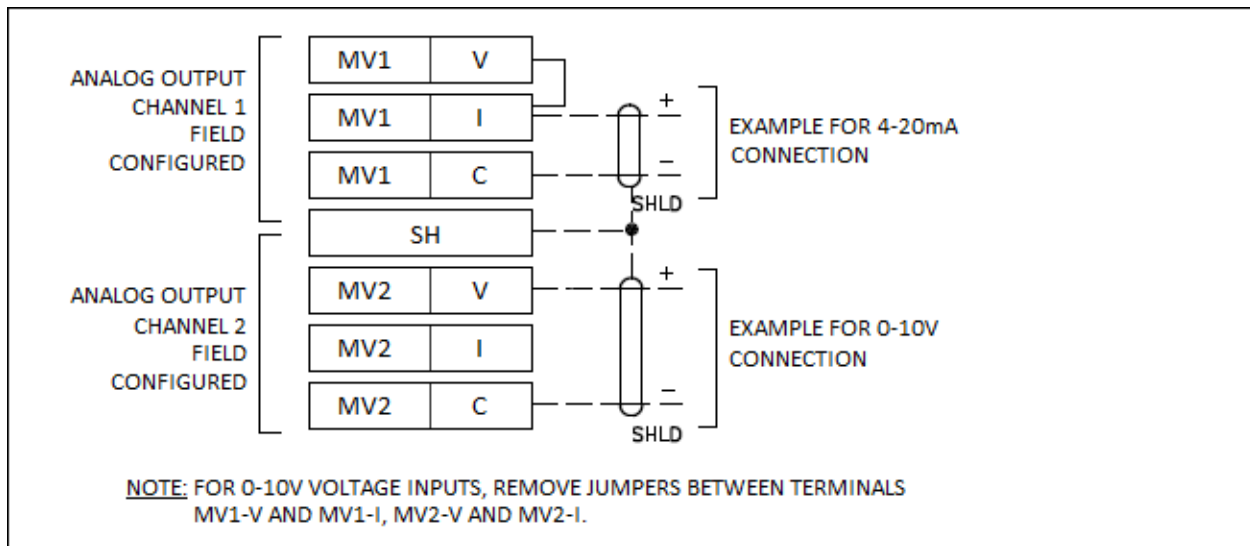
Connections (continued)

Analog input terminals:

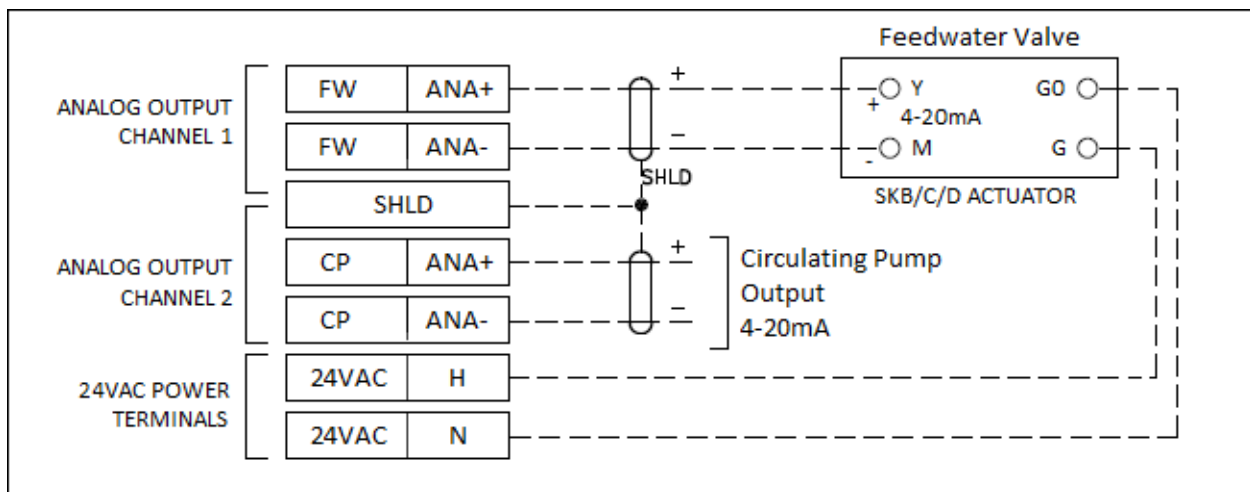


Connections (continued)

Analog output terminals:



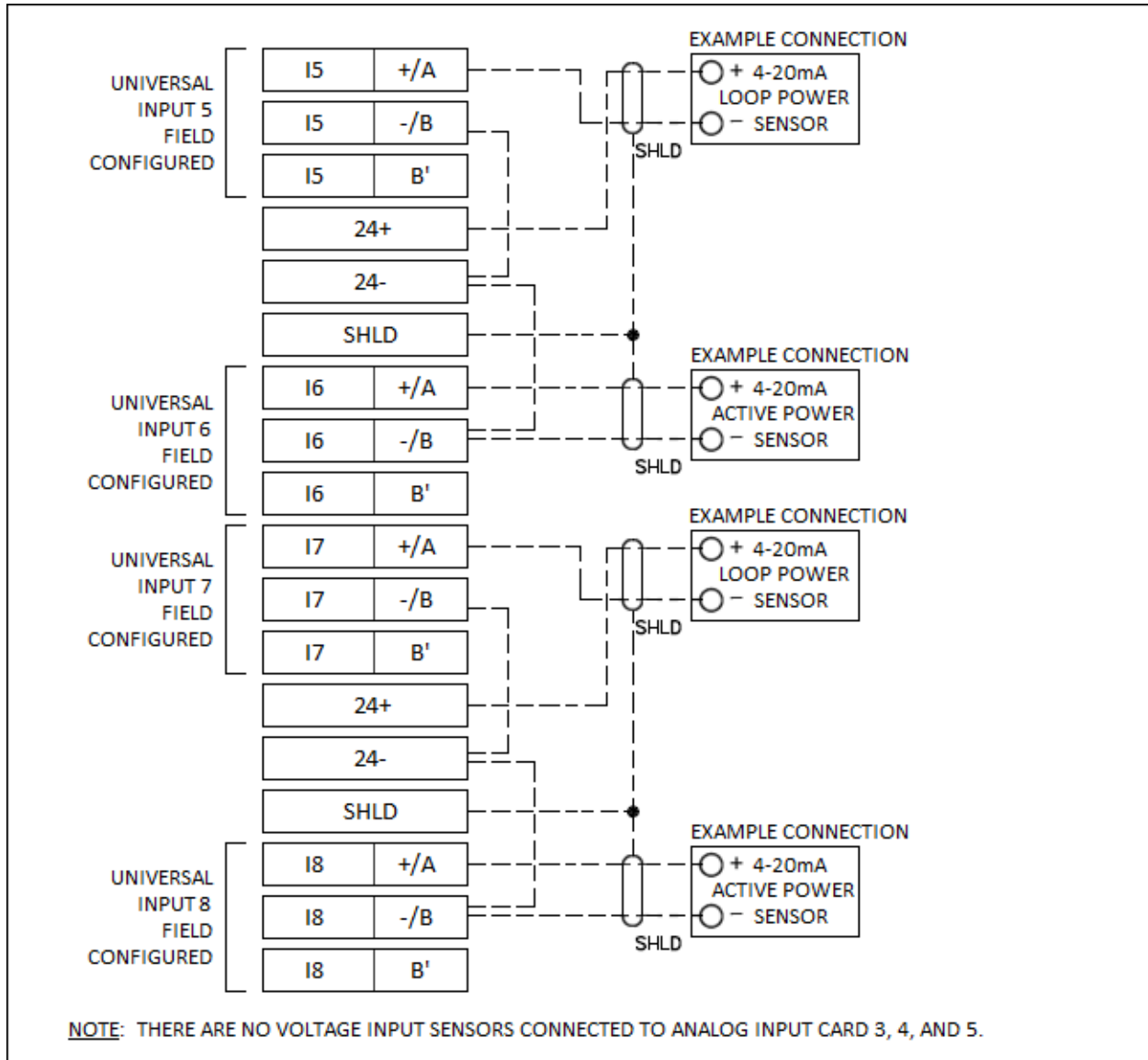
Dedicated analog outputs option, used for feedwater and circulating pump VFD control, 4-20mA only terminals:



Connections (continued)

Universal input configured for 4-20mA

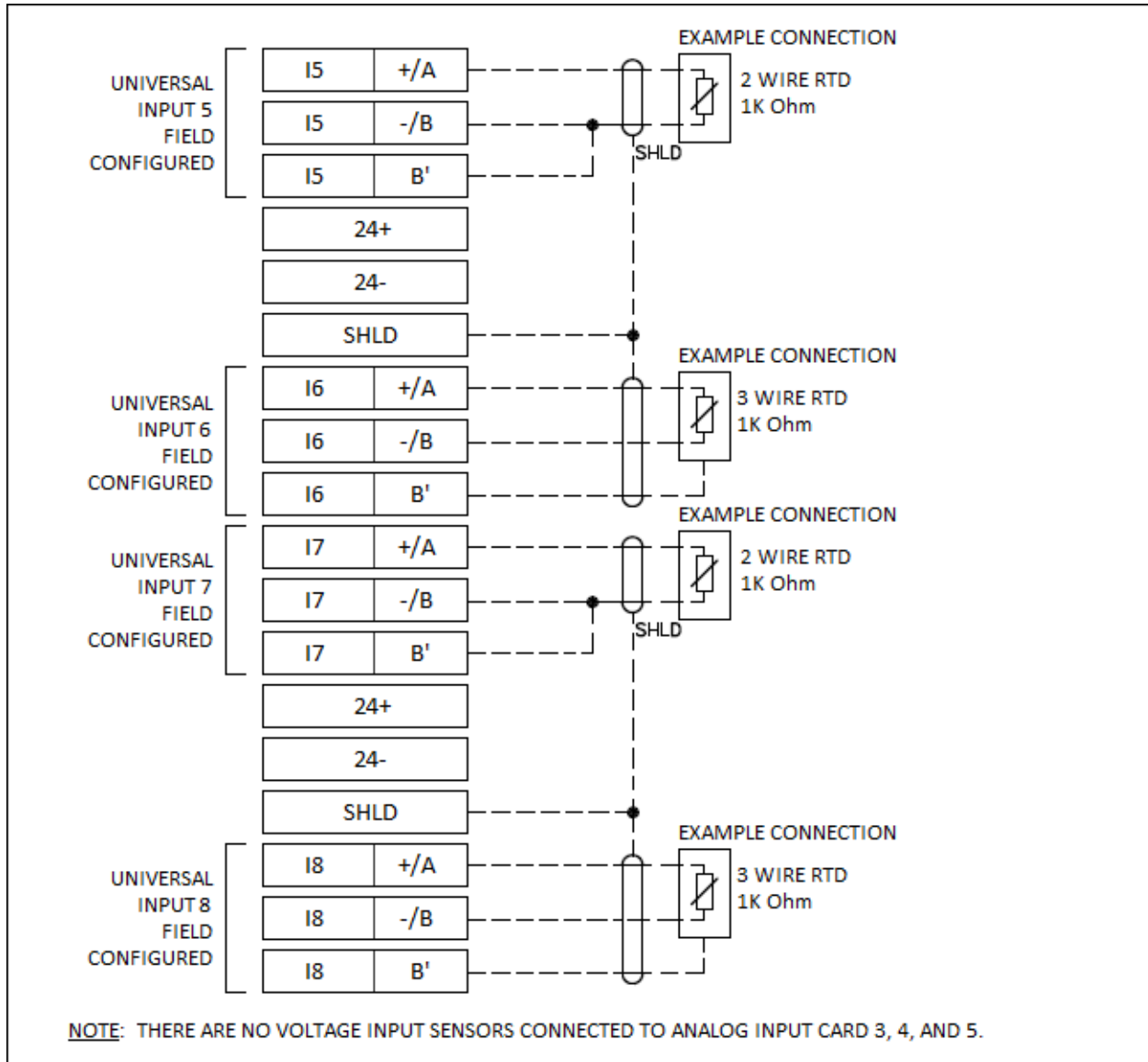
The first four universal input terminals with current transmitter example connections:



Connections (continued)

Universal inputs configured for RTD 1000 Ohm

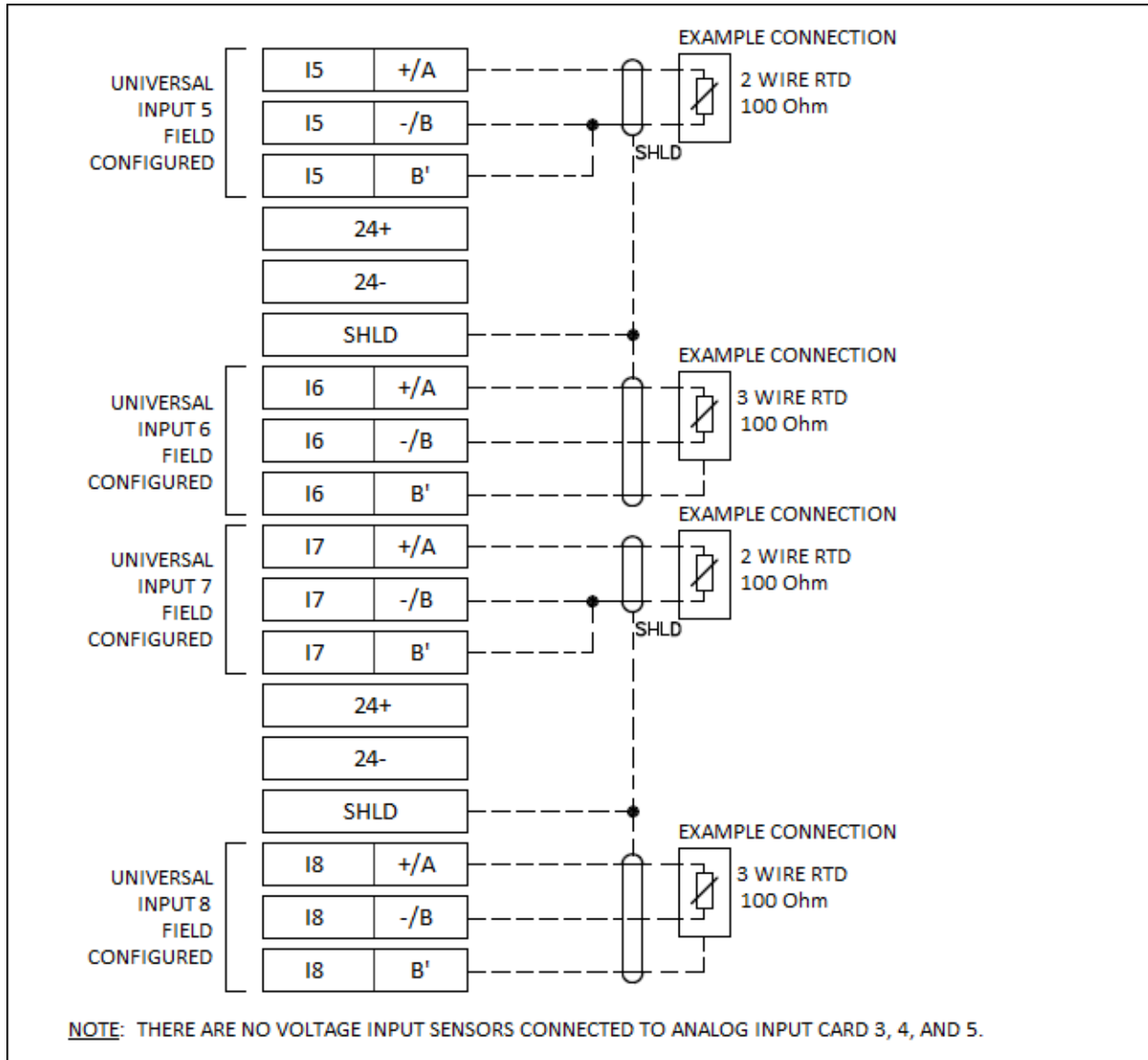
The first four universal input terminals with RTD 1000 Ohm example connections:



Connections (continued)

Universal input configured for 100 Ohm RTD

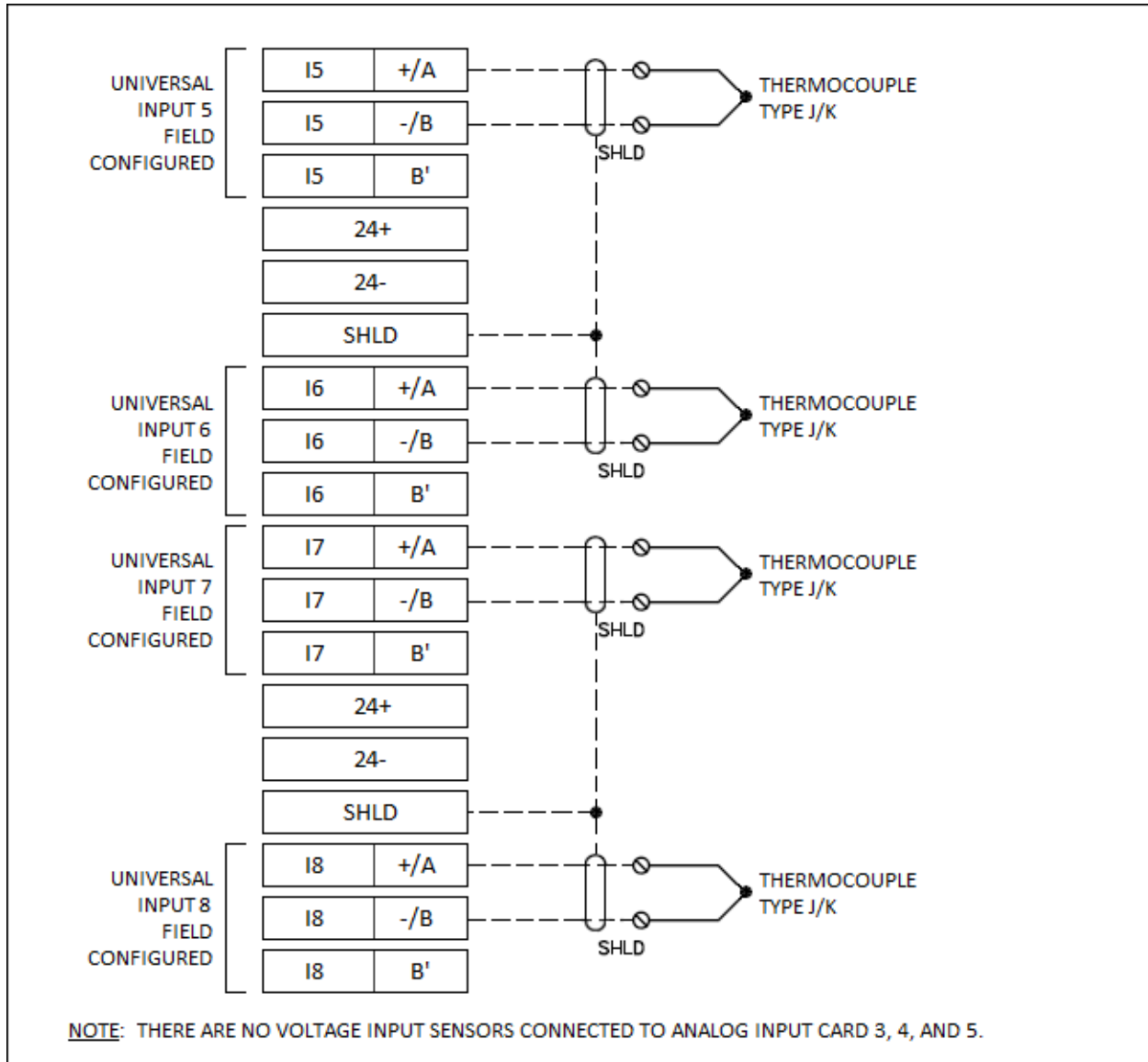
The first four universal input terminals with RTD 100 Ohm example connections:



Connections (continued)

Universal input configured for Thermocouple either Type K, or J

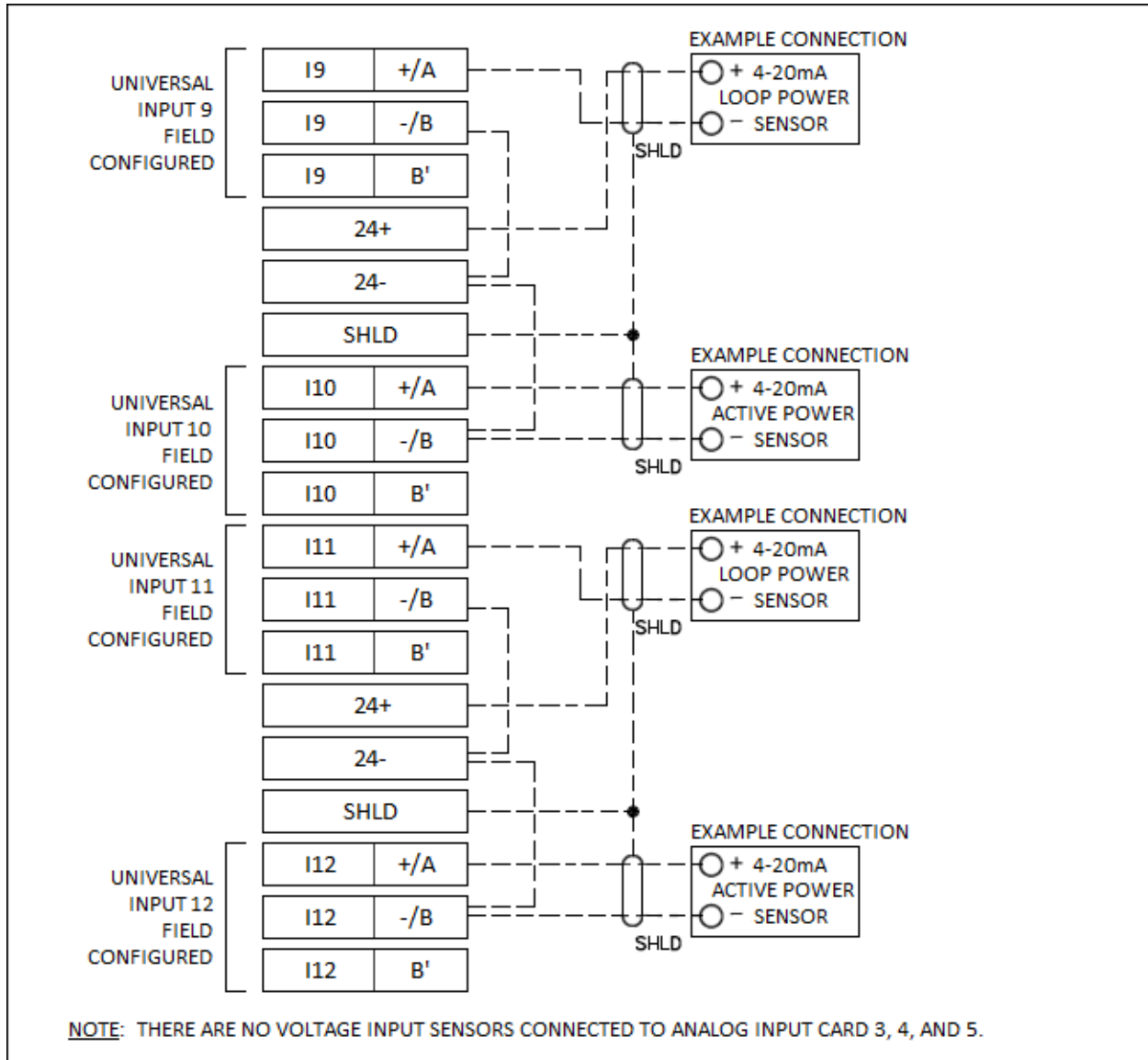
The first four universal input terminals with thermocouple type J/K example connections:



Connections (continued)

Universal input configured for 4-20mA

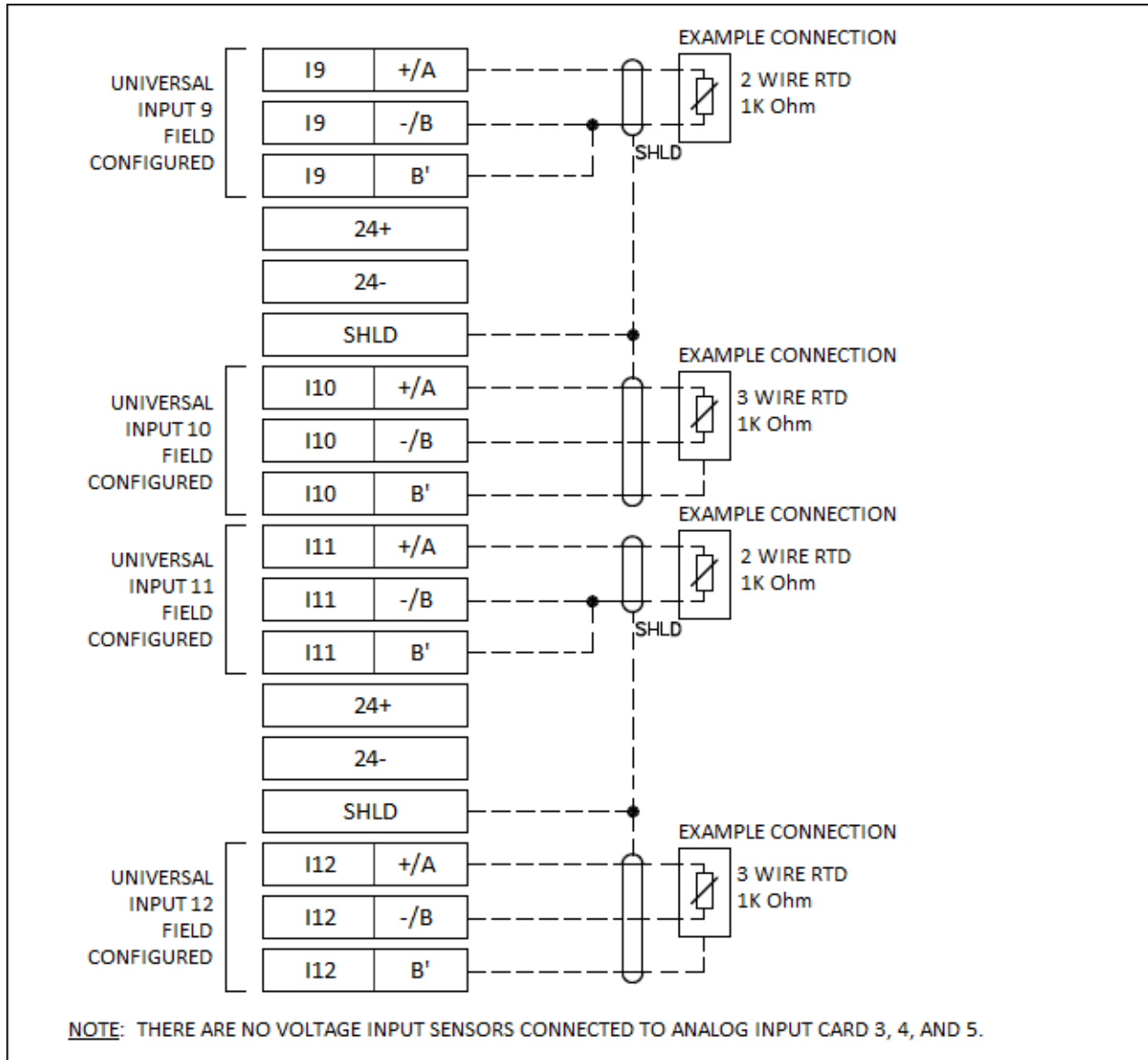
The second four universal input terminals with current transmitter example connections:



Connections (continued)

Universal input configured for 1000 Ohm RTD

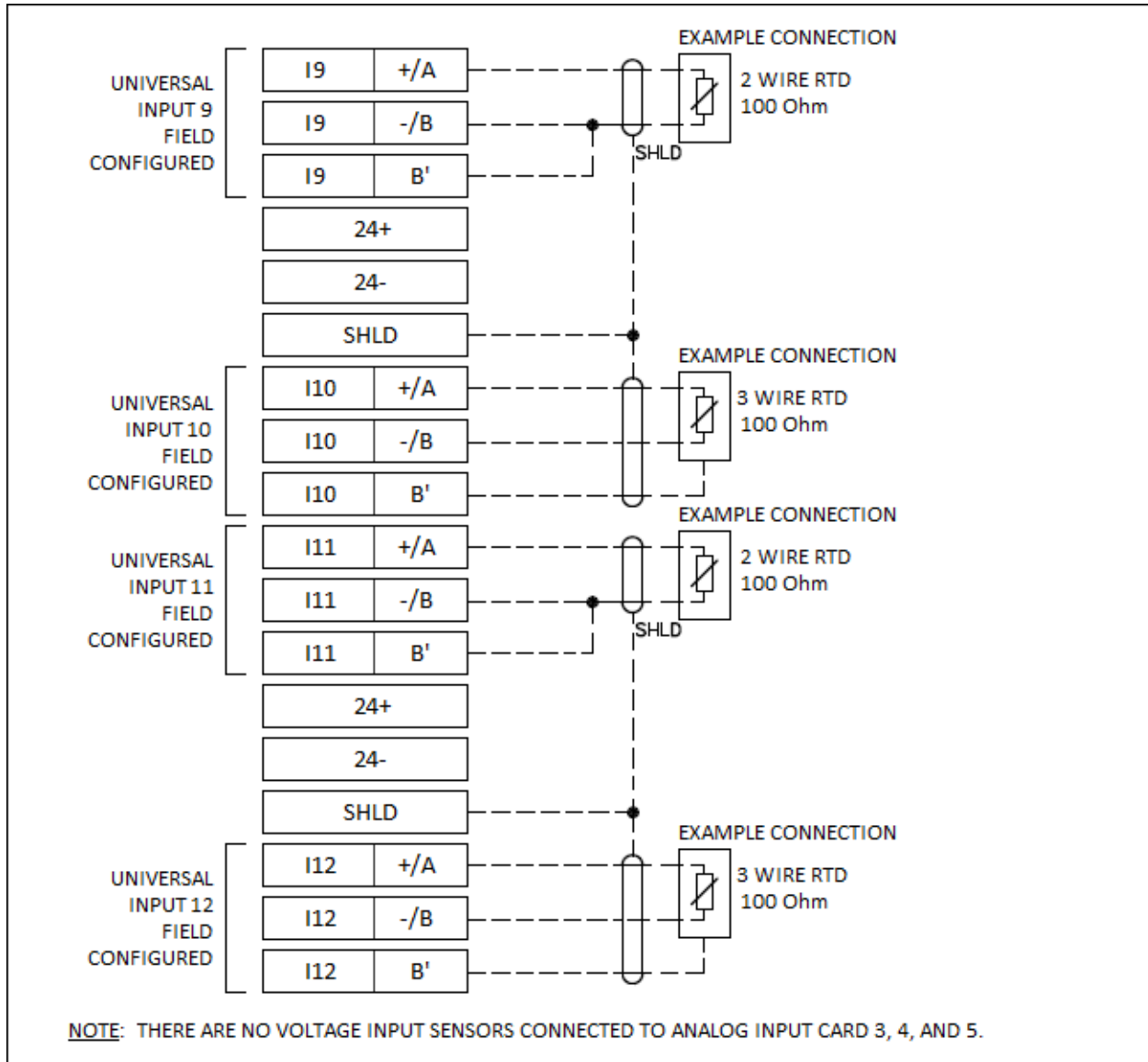
The second four universal input terminals with RTD 1000 Ohm connections:



Connections (continued)

Universal input configured for 100 Ohm RTD

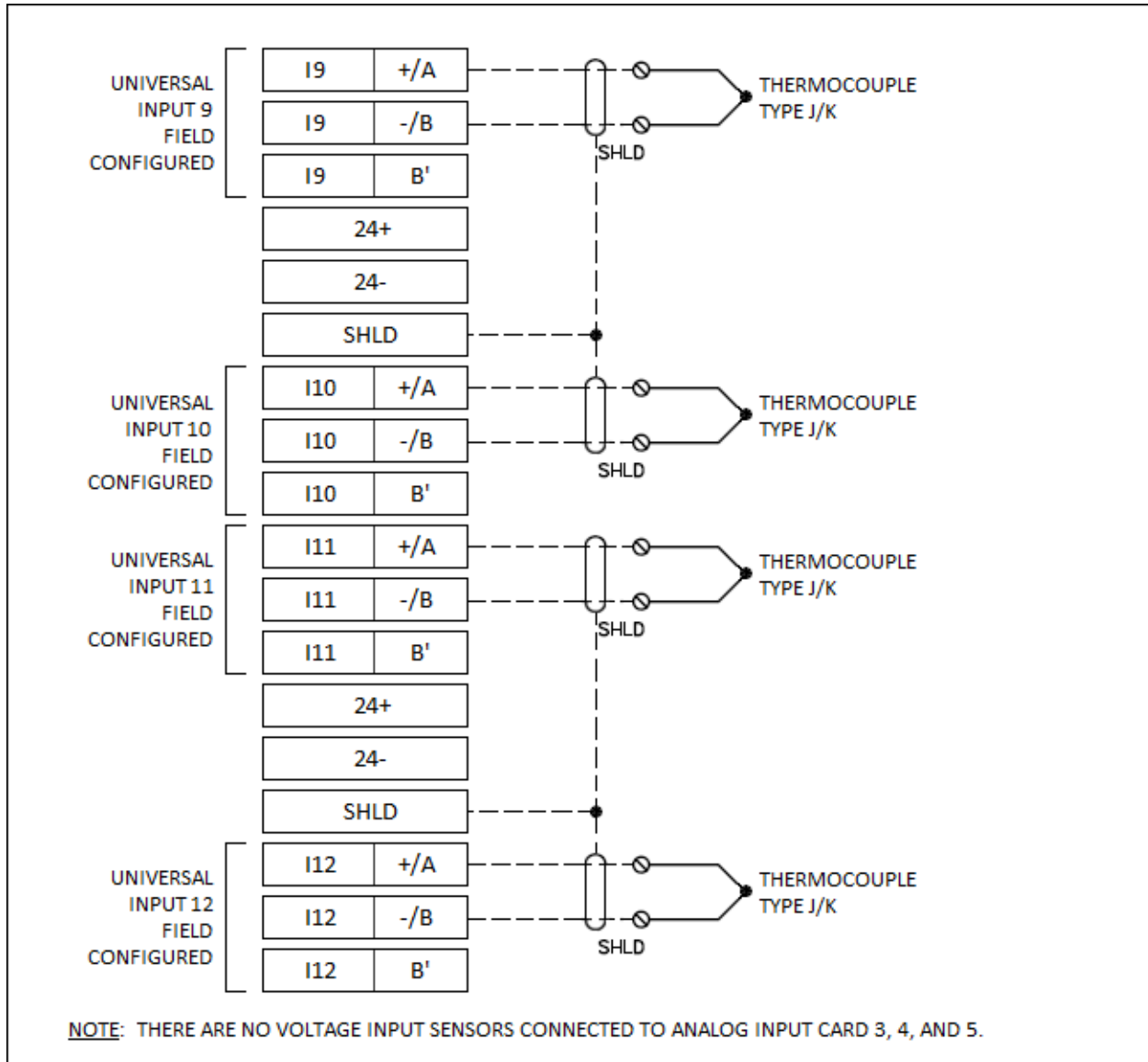
The second four universal input terminals with RTD 100 Ohm connections:



Connections (continued)

Universal input configured for Thermocouple either Type J, or K

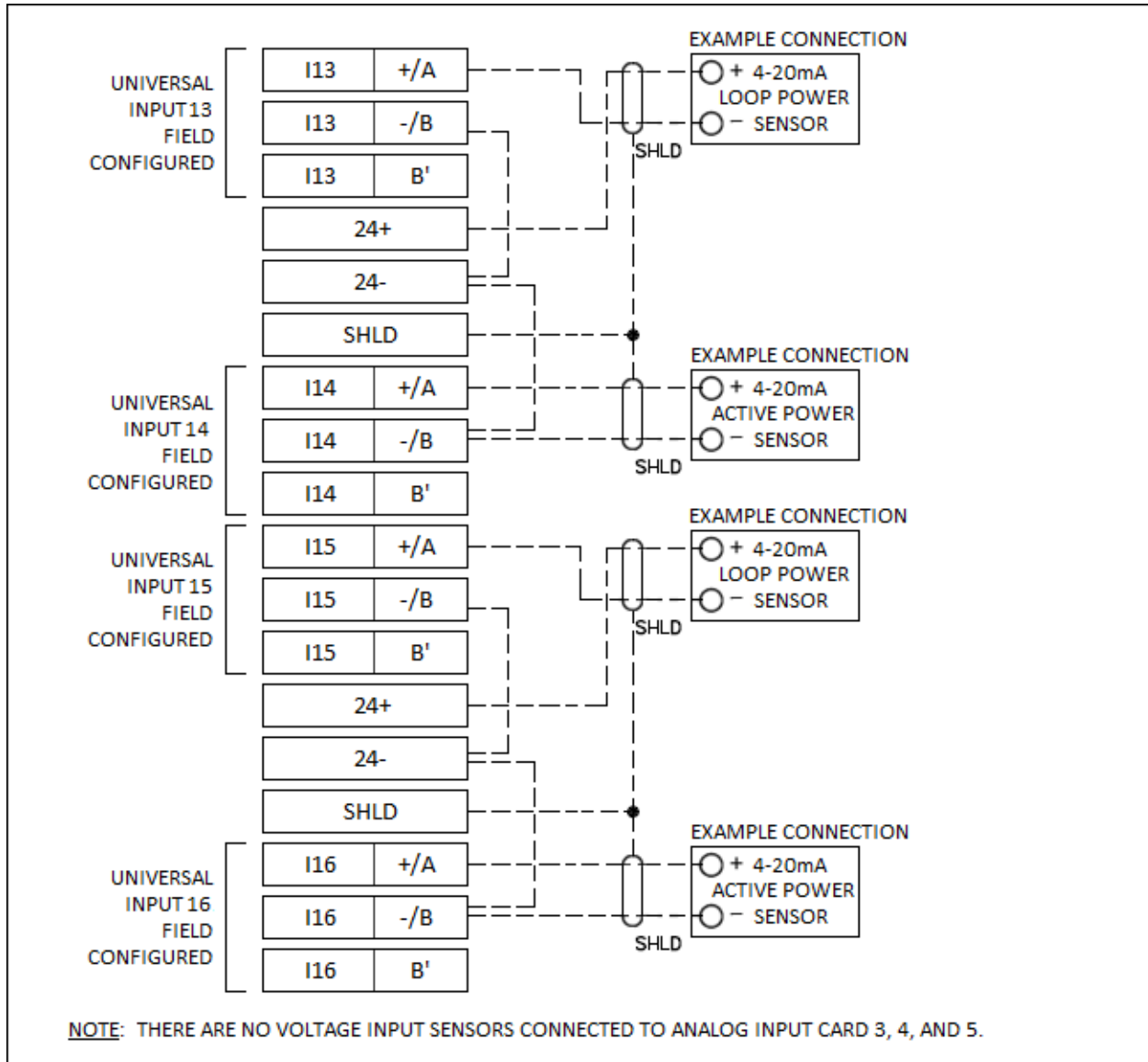
The second four universal input terminals with thermocouple type J/K example connections:



Connections (continued)

Universal input configured for 4-20mA

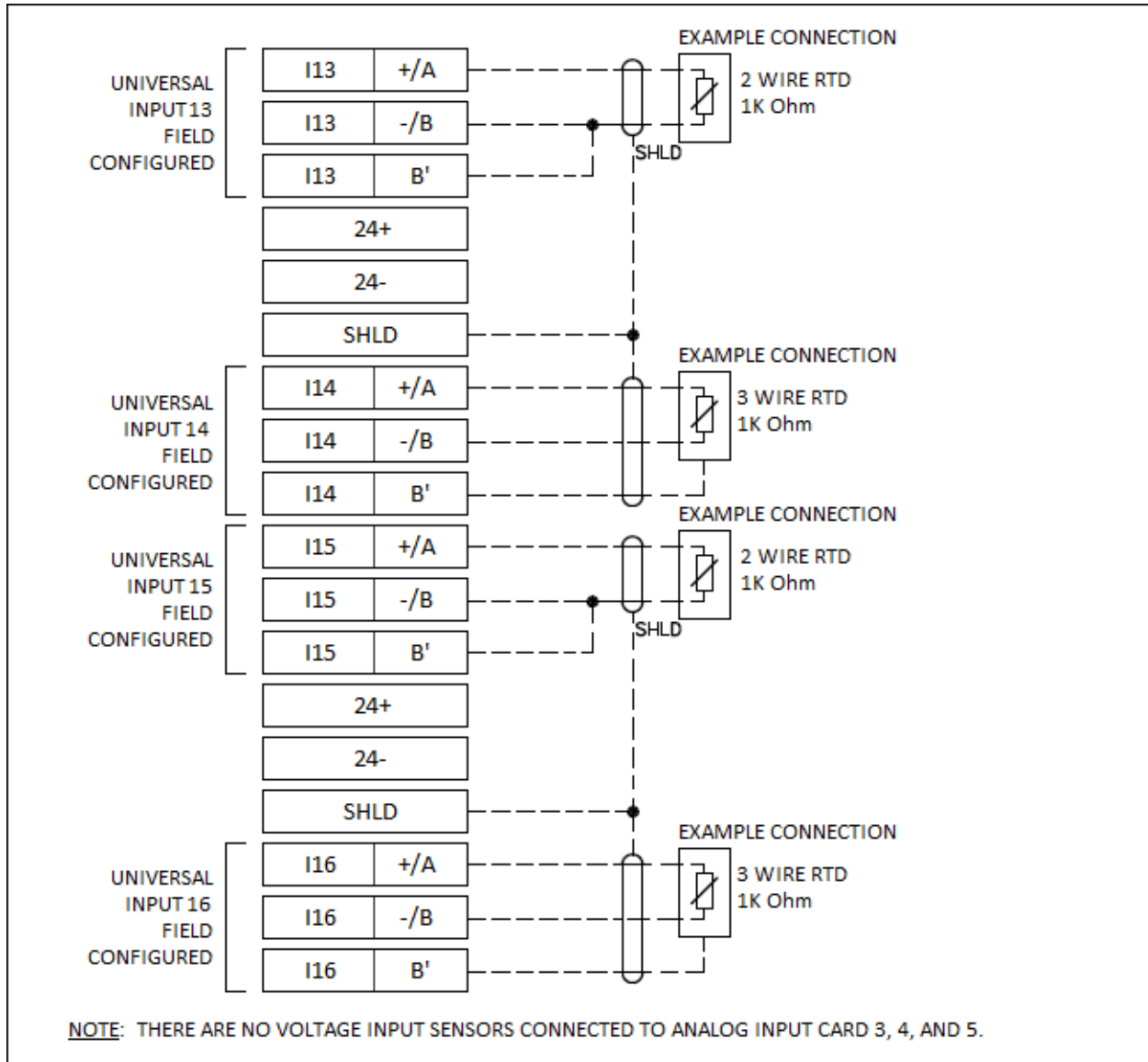
The third four universal input terminals with current transmitter connections:



Connections (continued)

Universal input configured for 1000 Ohm RTD

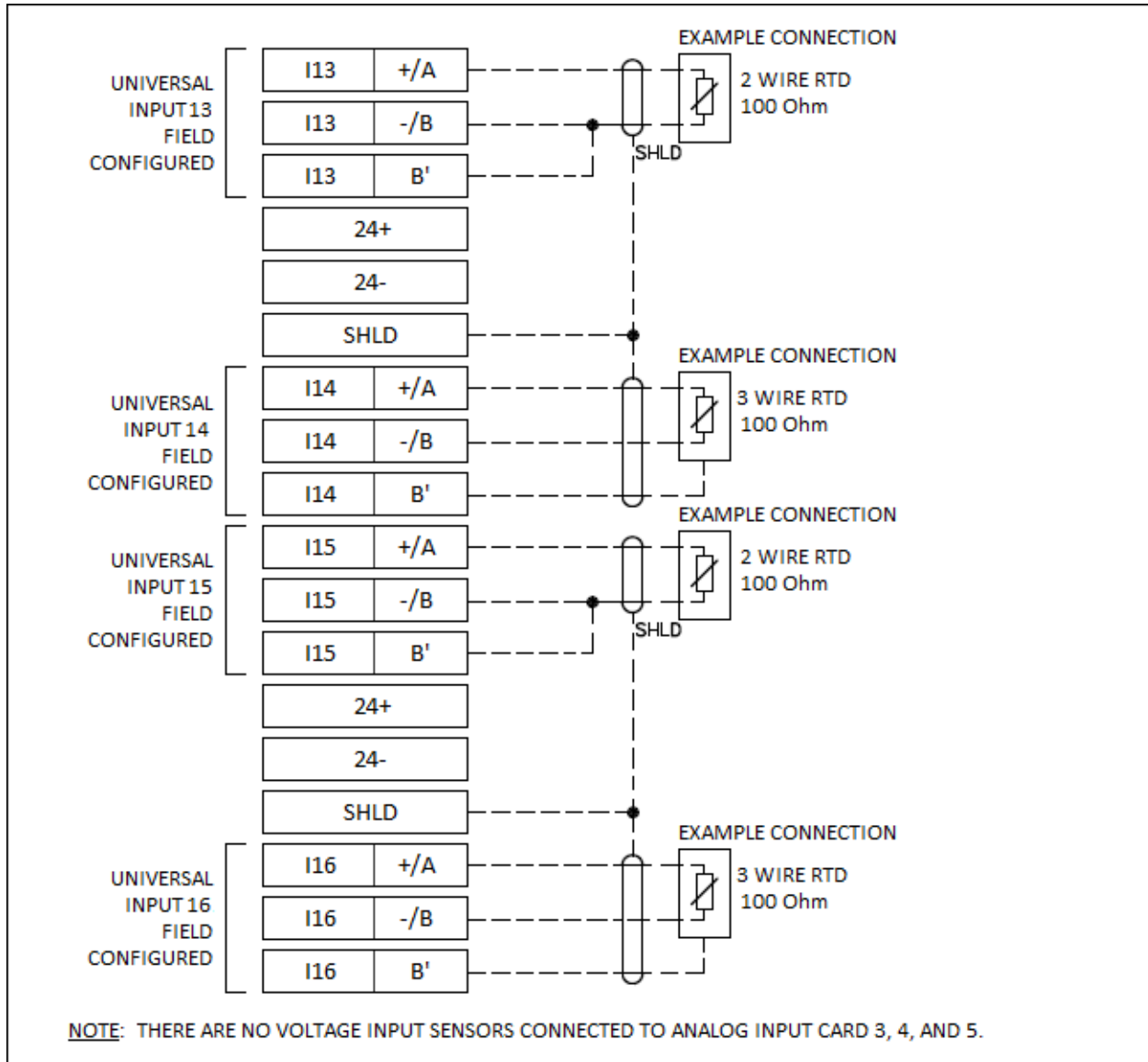
The third four universal input terminals with RTD 1000 Ohm connections:



Connections (continued)

Universal input configured for 100 Ohm RTD

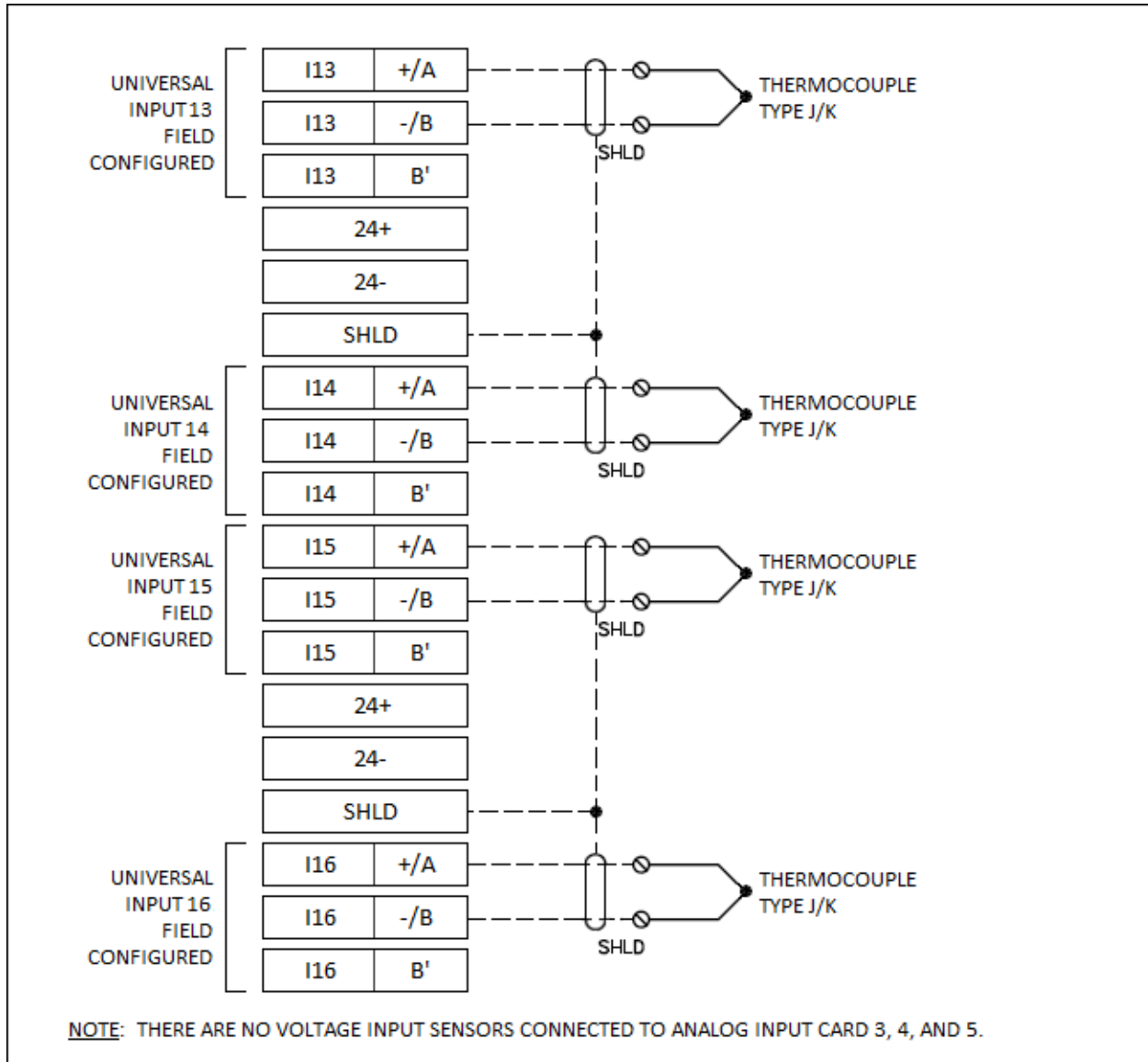
The third four universal input terminals with RTD 100 Ohm connections:



Connections (continued)

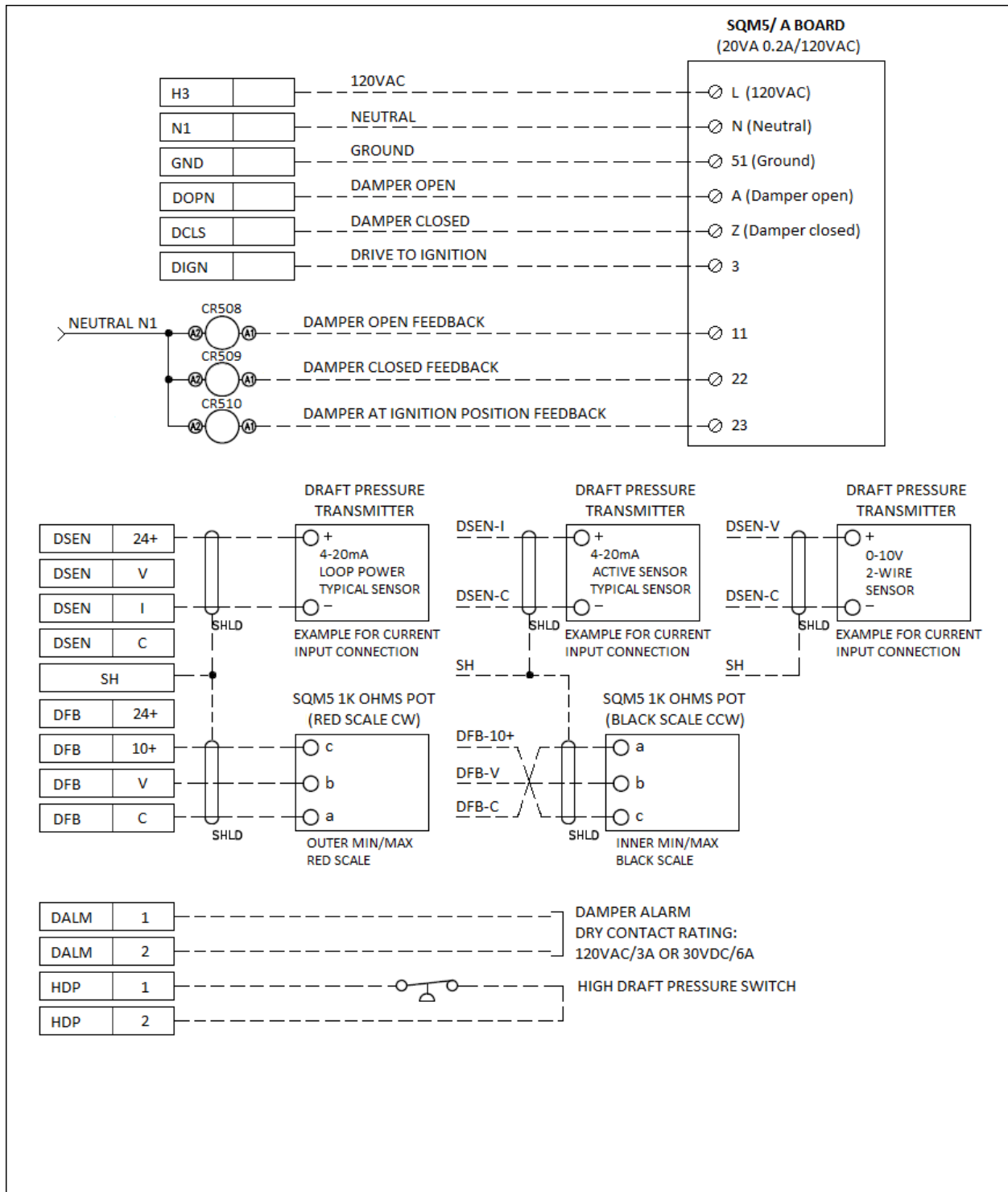
Universal input configured for Thermocouple either Type J, or K

The third four universal input terminals with thermocouple type J/K example connections:



Connections (continued)

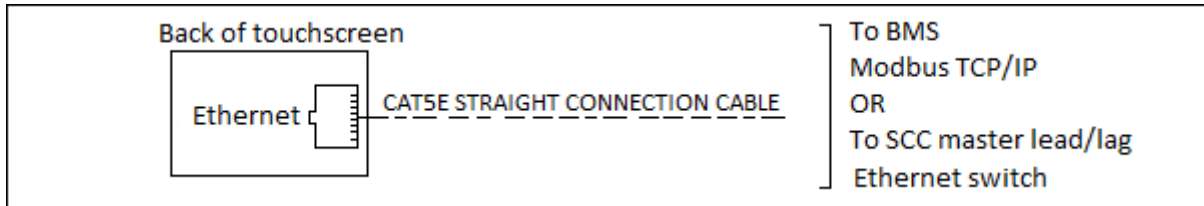
Draft Control:



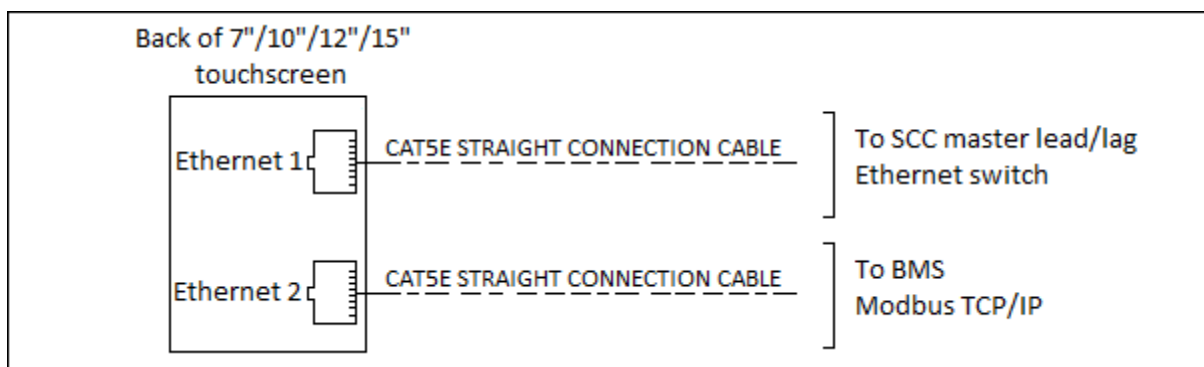
Connections (continued)

BMS Communications Connections

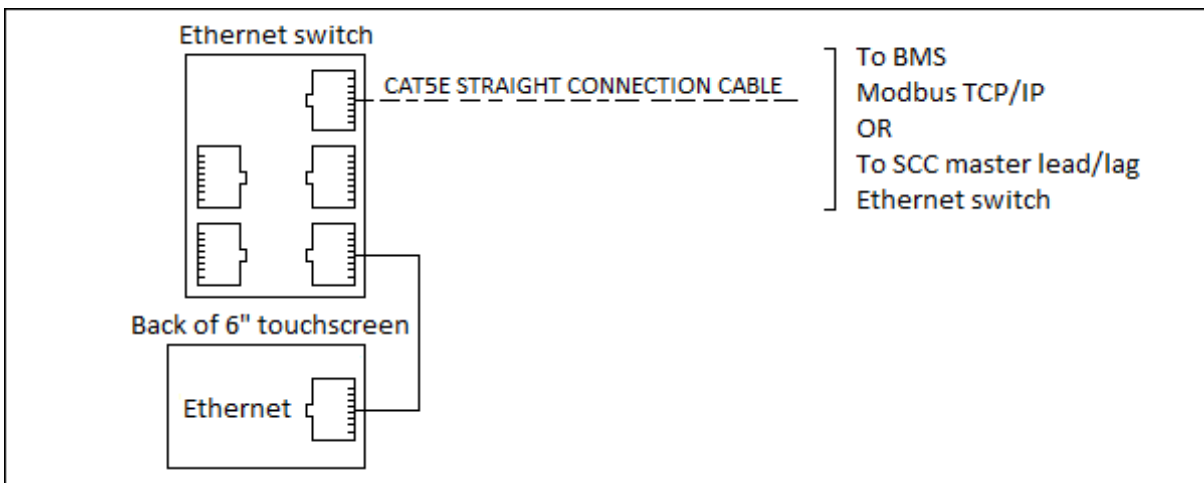
Standard Modbus TCP/IP with 6" touchscreen:



Standard Modbus TCP/IP with 7"/10"/12"/15" touchscreen:

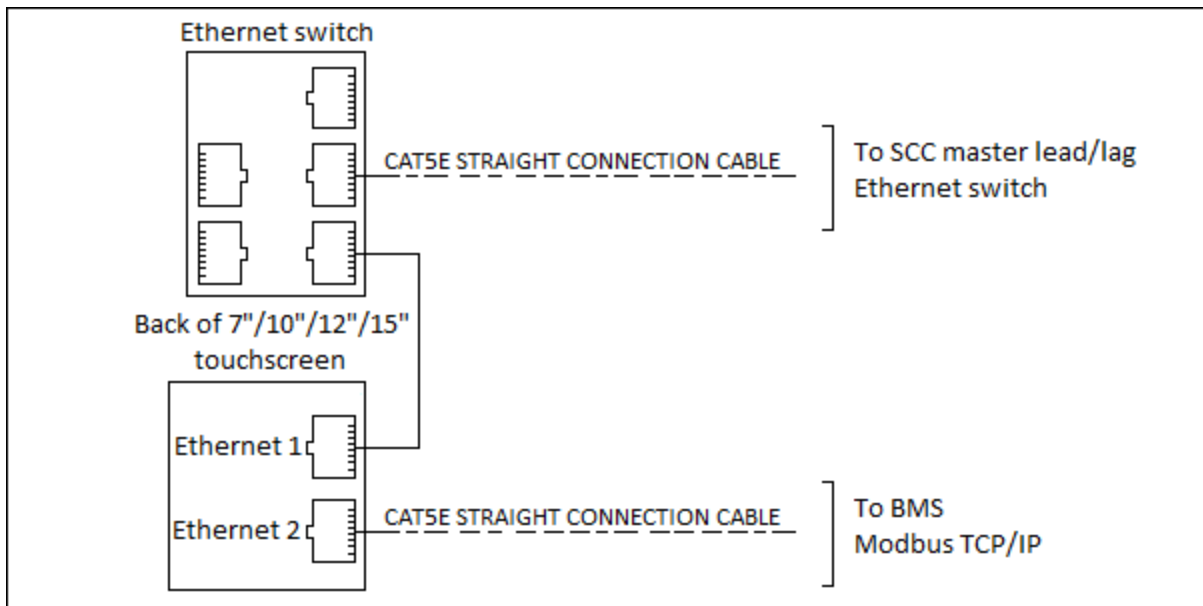


Standard Modbus TCP/IP with 6" touchscreen with PLC annunciation:



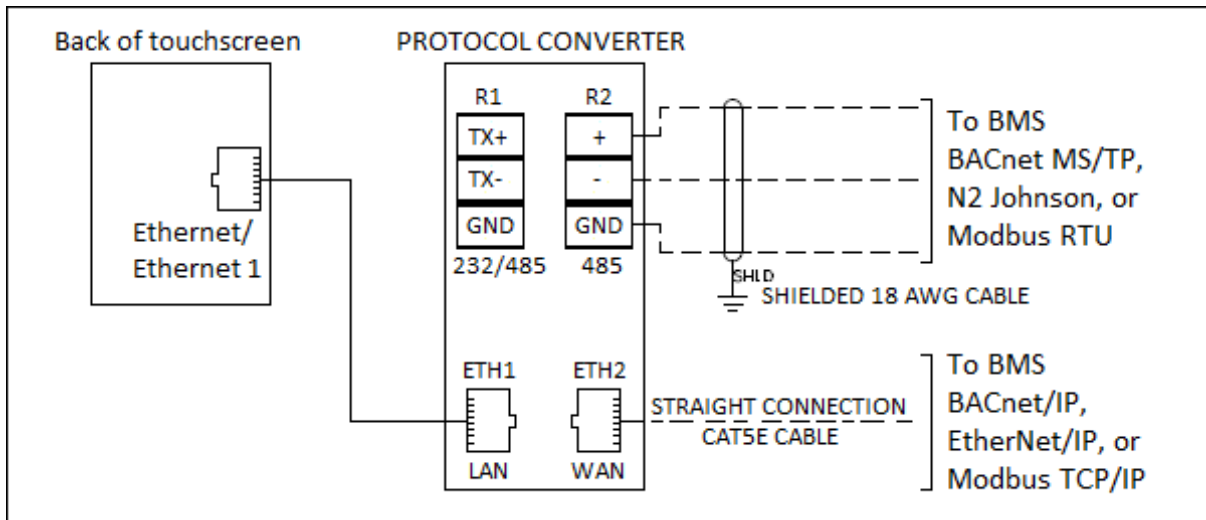
Connections (continued)

Standard Modbus TCP/IP with 7"/10"/12"/15" touchscreen with PLC annunciation:



BACnet/IP, Ethernet/IP, or Modbus TCP/IP: Ethernet connection

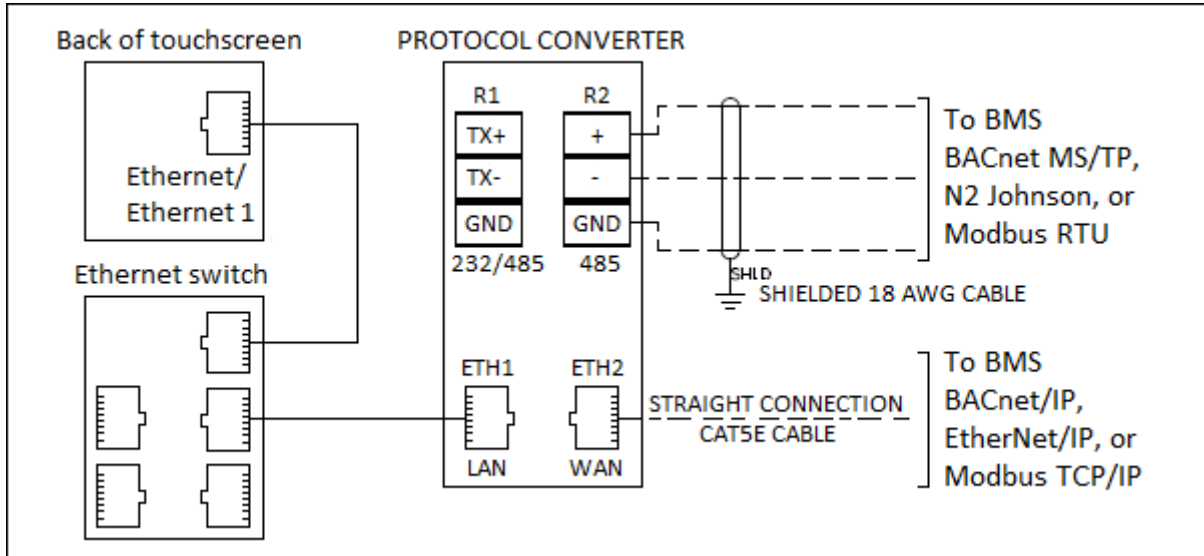
BACnet MS/TP, N2 Johnson Metasys, or Modbus RTU: RS485 connection



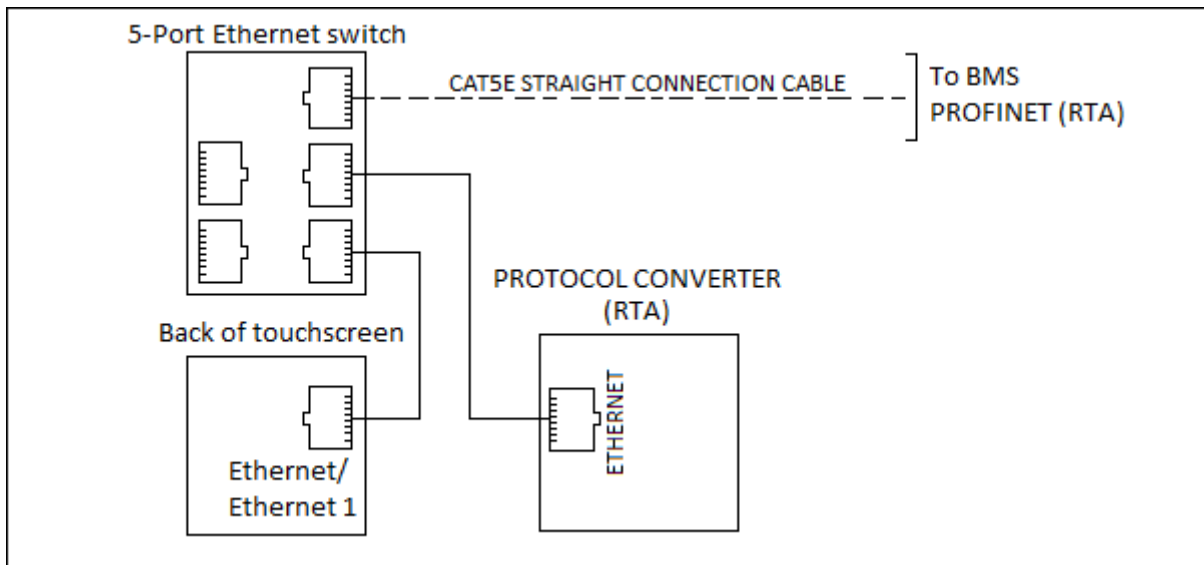
Connections (continued)

BACnet/IP, Ethernet/IP, or Modbus TCP/IP with PLC annunciation: Ethernet connection

BACnet MS/TP, N2 Johnson Metasys, or Modbus RTU with PLC annunciation: RS485 connection

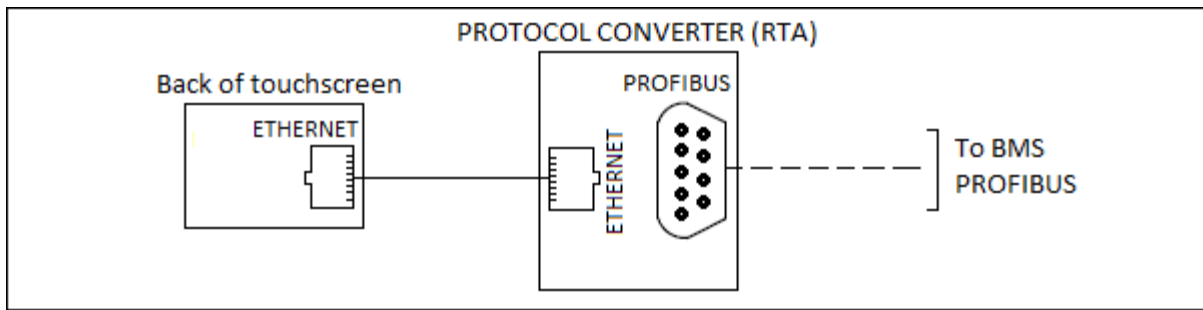


PROFINET:

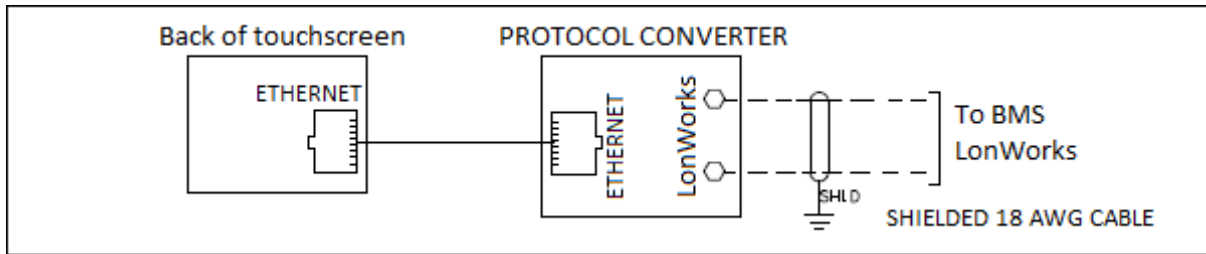


Connections (continued)

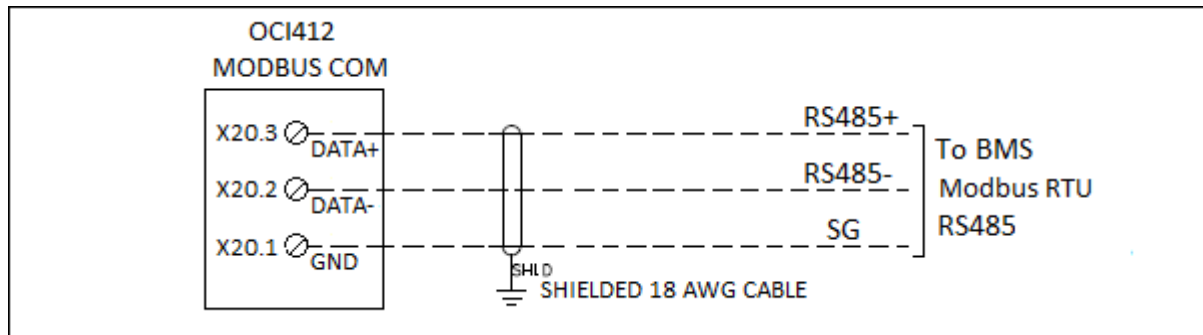
PROFIBUS:



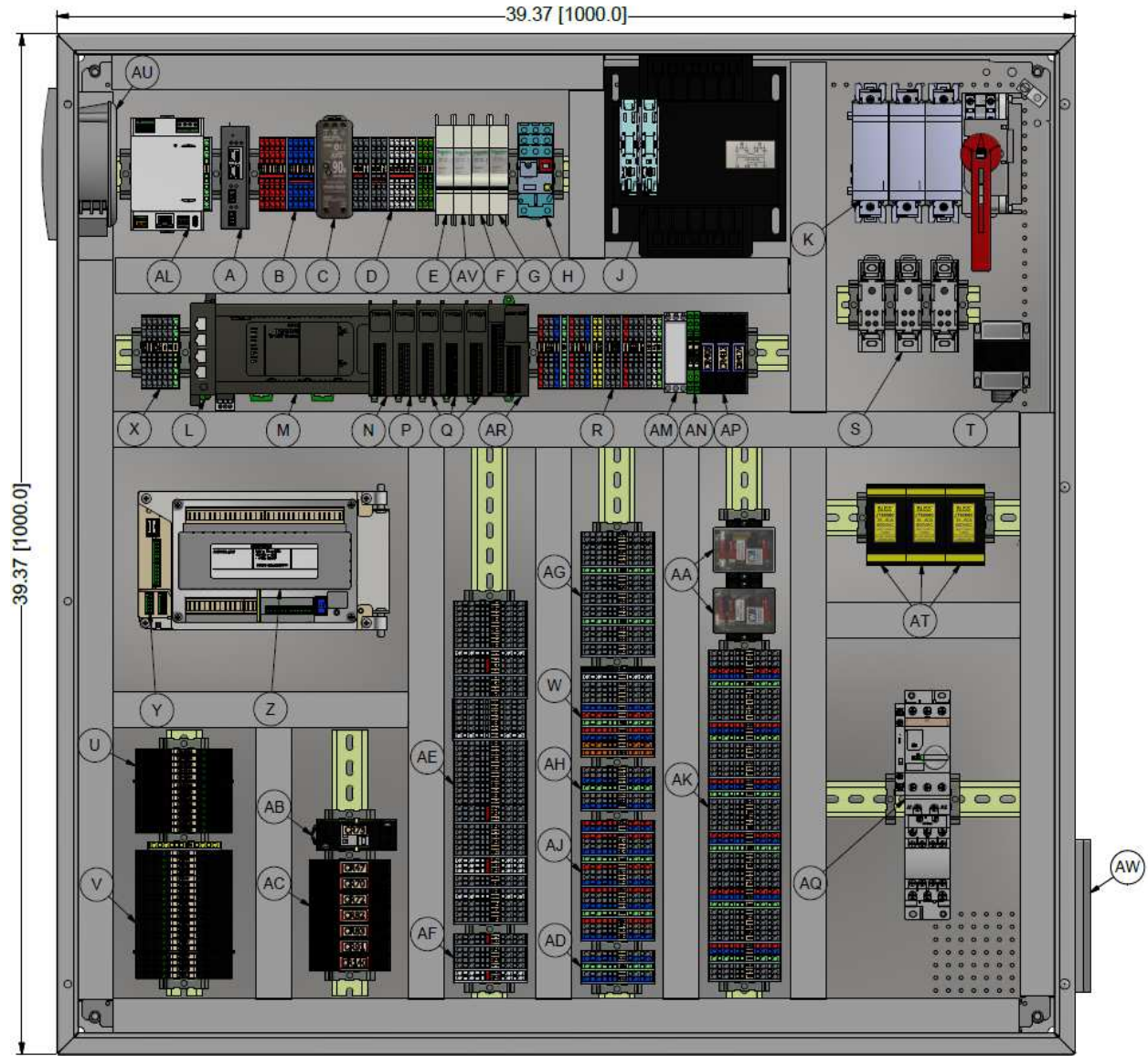
LonWorks:



BMS Serial Connection, Modbus RTU RS485 connection without touchscreen:



Parts Descriptions



Parts Descriptions (continued)

A	Protocol Converter	BMS Communication Other than Modbus TCP/IP
B	24 VDC Terminals	Standard Component
C	24 VDC Power Supply	Standard Component
D	120 VAC and Ground Terminals	Standard Component
E	1 Amp Draft Control Circuit Breaker	Draft Control
F	3 Amp Water Level Control Circuit Breaker	Standard Component
G	10 Amp Main Circuit Breaker	Standard Component
H	Power Fail Relay	Standard Component
J	750/1000 VA Transformer	440 – 480 VAC
K	Disconnect Switch	Standard Component Fused with 440 – 480 VAC Non-Fused with 110 – 120 VAC
L	Ethernet Switch	Annunciation or BACnet/IP, or Ethernet/IP BMS Communication
M	Programmable Logic Controller (PLC)	Annunciation or Draft Control
N	Analog I/O Module	(4) Dedicated Analog Inputs and (2) Analog Outputs
P	Analog Output Module	PLC Feedwater/Water Level or Circulating Pump VFD Control
Q	Analog Input Module(s)	(4) Universal Inputs per Module
R	Draft Control Terminals	Draft Control
S	Power Distribution Blocks	440 – 480 VAC
T	24 VAC SKB/C or D Transformer	Water Level Control
U	24 VDC SPDT Output Relays	Annunciation
V	120 VAC SPDT Relays	Annunciation/Draft Control

W	Water Level Control Terminals	Water Level Control
X	Modbus RS232 and RS485 Terminals	Standard Component
Y	LMV3	Standard Component
Z	AGM60 Switch Unit	Dual Fuel
AA	Automatic/Manual Reset Warrick Relay	Auto and Manual Reset Warrick Relay
AB	DPDT LMV3 Lockout Relay	Standard Component
AC	DPDT LMV3 Output Relays	Standard Component
AD	PLC Feedwater/Water Level and Circulating Pump VFD Control Terminals	PLC Feedwater/Water Level and Circulating Pump VFD Control
AE	LMV3 Terminals (Safety Limit, Running Interlocks, Recycle Limits, Auxiliary Devices, Pilot and Gas Train, Ignition Transformer, Flame Detector)	Standard Component
AF	Oil Train Terminals	Dual Fuel/Single Fuel, Oil
AG	Load Control Terminals	Standard Component
AH	Analog Output Terminals	(4) Dedicated Analog Inputs and (2) Analog Outputs
AJ	Dedicated Analog Input Terminals	(4) Dedicated Analog Inputs and (2) Analog Outputs
AK	Universal Input Terminals	(4), (8) or (12) Additional Universal Input Terminals
AL	OCI417.10	Standard Component
AM	Off Delay Timer	Draft Control
AN	24 VDC Solid State Relays	Draft Control
AP	24 VDC DPDT Relays	Draft Control
AQ	Motor Starters	Up to (3) Motor Starters for Blower, Oil Pump or Compressor
AR	Digital Input/Output Module	(16) Additional Digital inputs and (8) Additional Digital Outputs

Parts Descriptions (continued)

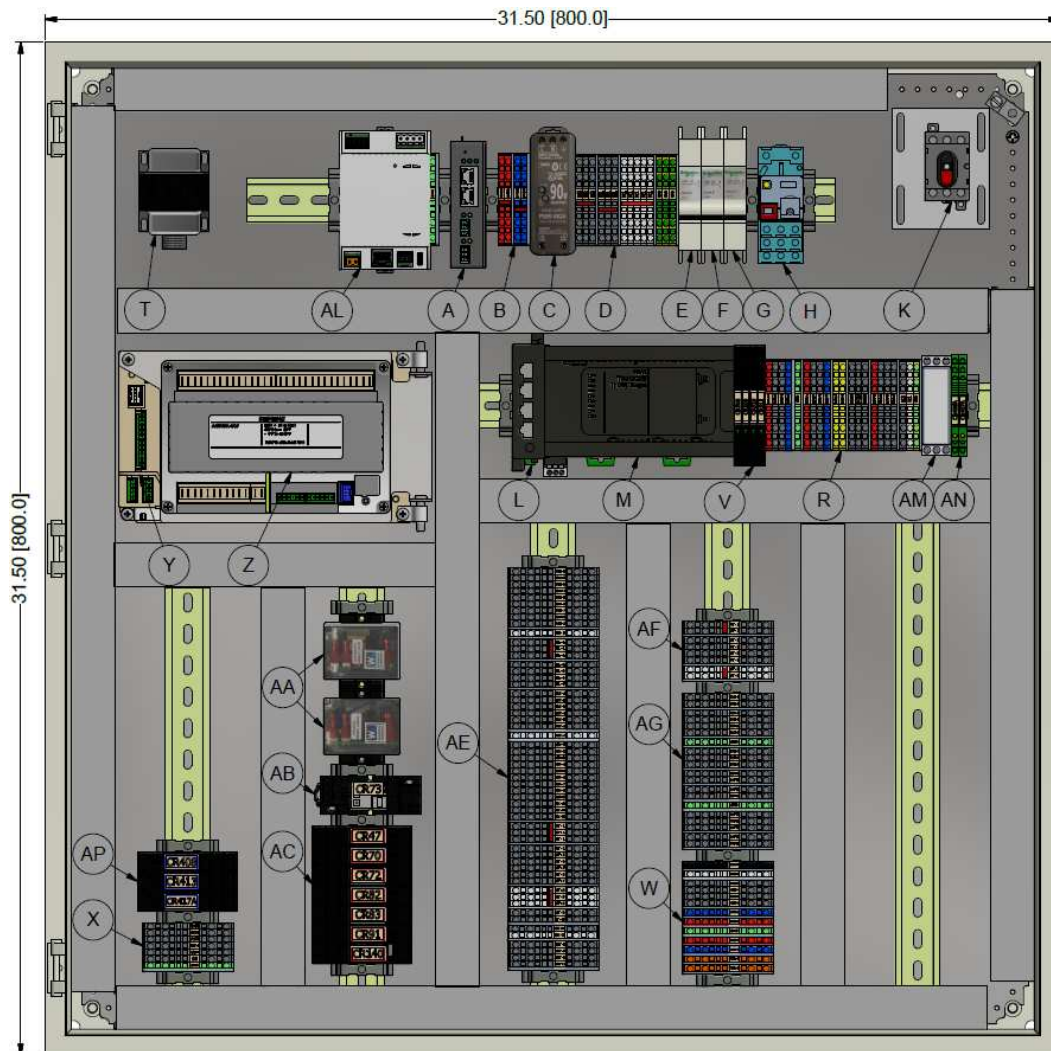
AS	RS232 to RS485 Converter	Modbus RTU RS485
AT	Fuse Holders/Fuses	VSD Control for Blower Motor
AU	Cooling Fan	Cooling Fan

AV	2A Cooling Fan Breaker	Cooling Fan
AW	Air Intake Filter	Cooling Fan

Combustion Enclosure Layouts

Reference pages 39-40 for item balloon descriptions
Lowercase "x" in part number denotes any selection
Dimensions in inches; millimeters in brackets

TS-CExx-xxxX-xxx-XXXX



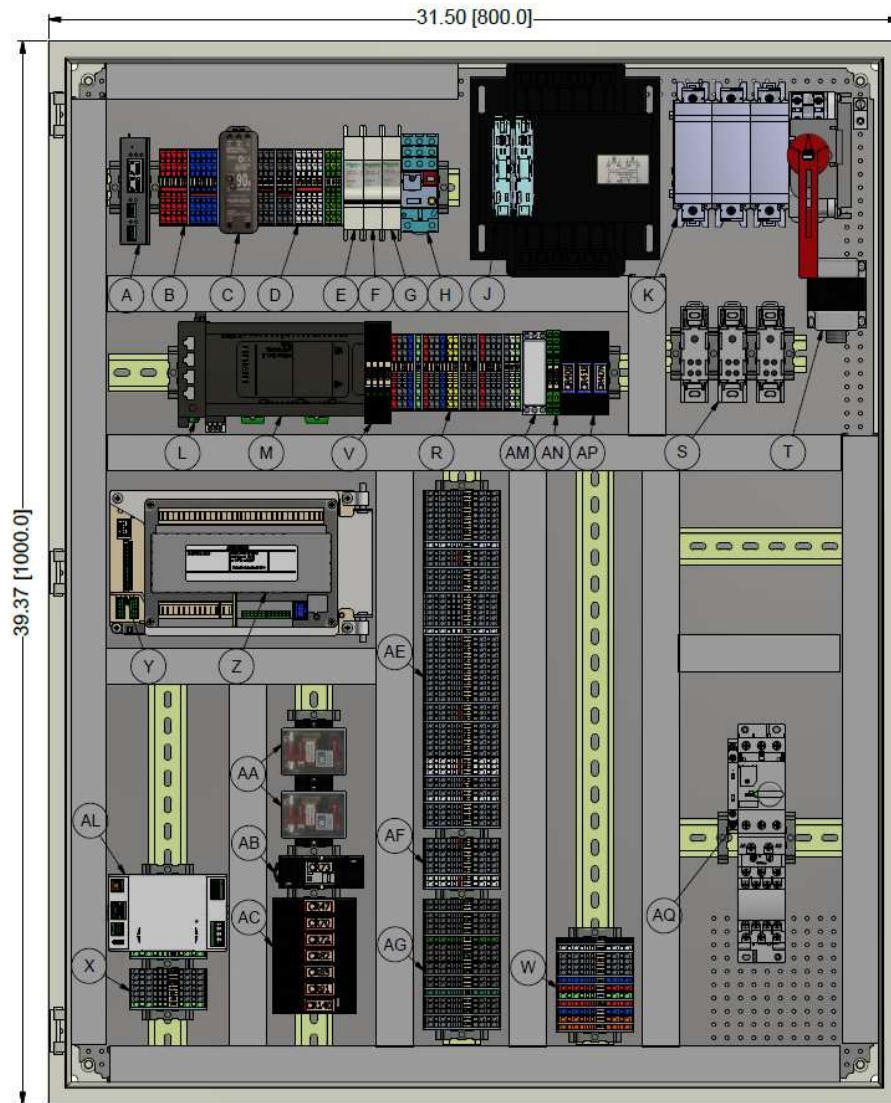
TS-CED6-xD3X-Bx3-XXXX

Options for Kit in Enclosure	Dual Fuel Components (Z, AF)	Water Level Control Components (T, W)	*Draft Control Components (E, M, R, V, AM, AN, AP)	Warrick Relays (AA)
TS-CEDx-xxxX-Bxx-XXXX	X			
TS-CEx6-xxxX-Bxx-XXXX		X		
TS-CExx-xDxX-Bxx-XXXX			X	
TS-CExx-xxxX-Bx3-XXXX				X

Notes:

- 24"x24" Enclosure used with (0-3) options
- 32"x32" Enclosure used with draft control
- * Option not available in 24"x24" enclosure

TS-CExx-xxxX-xxx-4xxx



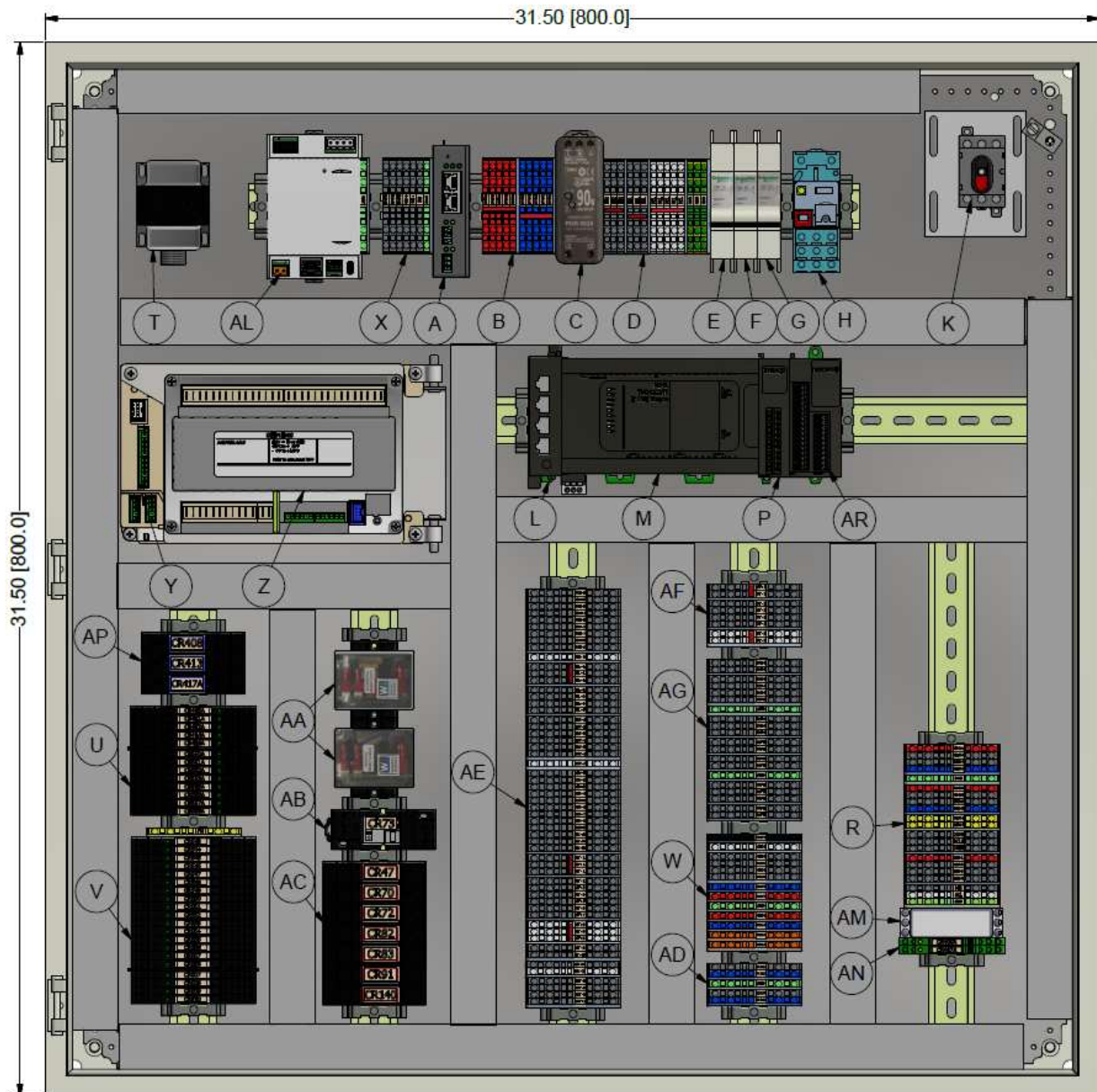
TS-CED6-xD3X-Bx3-4CAC

Options for Kit in Enclosure	Dual Fuel Components (Z, AF)	Water Level Control Components (T, W)	Draft Control Components (E, M, R, V, AM, AN, AP)	Warrick Relays (AA)	Motor Starters (AQ)
TS-CEDx-xxxX-Bxx-4xxx	X				
TS-CEx6-xxxX-Bxx-4xxx		X			
TS-CExx-xDxX-Bxx-4xxx			X		
TS-CExx-xxxX-Bx3-4xxx				X	
TS-CExx-xxxX-Bxx-4CAC					X

32"x32" Enclosure used with (0-4) options

40"x32" Enclosure used with 5 options

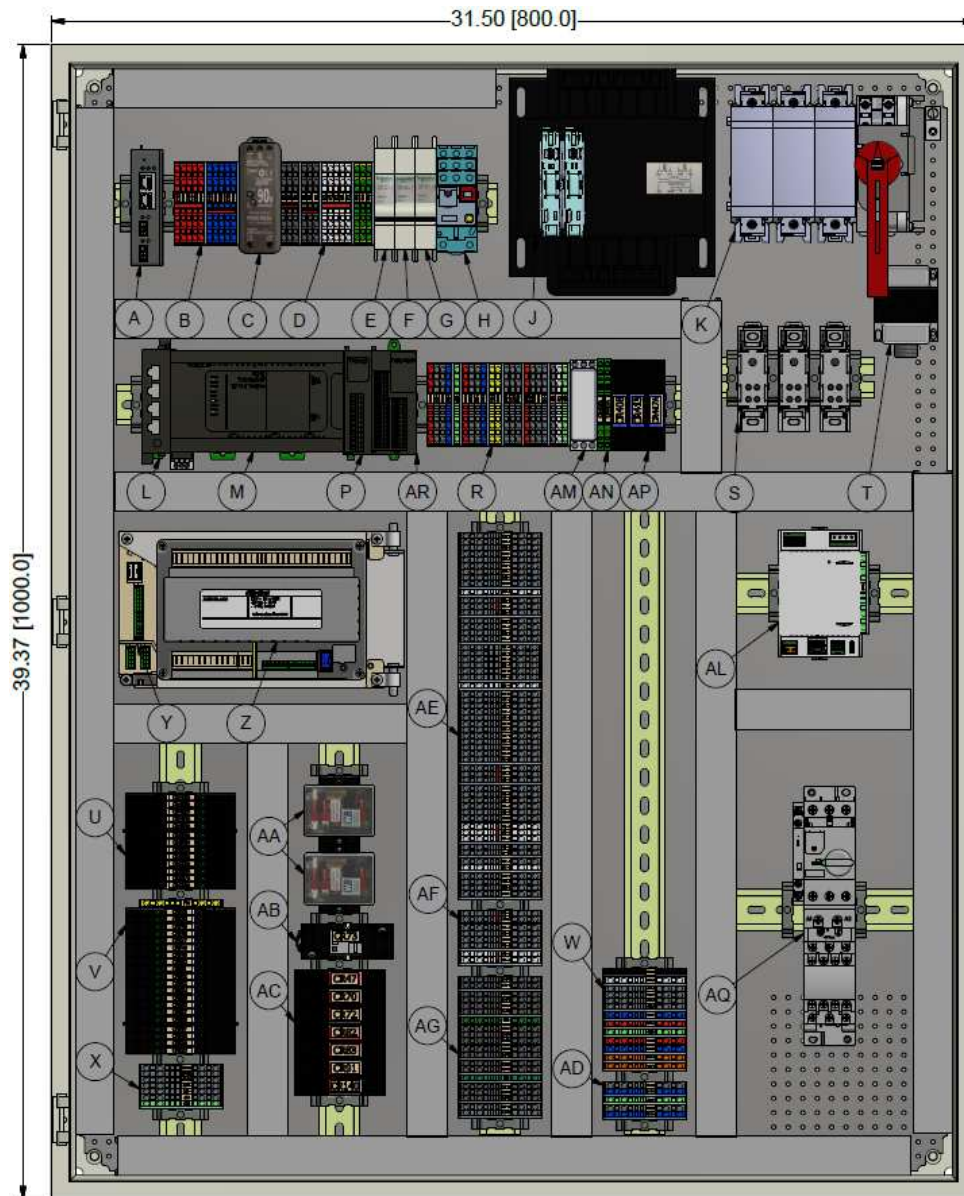
TS-CExx-xxxA-xxx-XXXX



TS-CED6-xD6A-Bx3-XXXX

Options for Kit in Enclosure	Dual Fuel Components (Z, AF)	Water Level Control Components (T, W)	Draft Control Components (E, R, AM, AN, AP)	PLC Output Components (P, AD)	Additional Digital Inputs and Outputs (AR)	Warrick Relays (AA)
TS-CEDx-xxxA-Bxx-XXXX	X					
TS-CEx6-xxxA-Bxx-XXXX		X				
TS-CExx-xDxA-Bxx-XXXX			X			
TS-CExx-xx3A-Bxx-XXXX				X		
TS-CExx-xx6A-Bxx-XXXX				X	X	
TS-CExx-xxxA-Bx3-XXXX						X

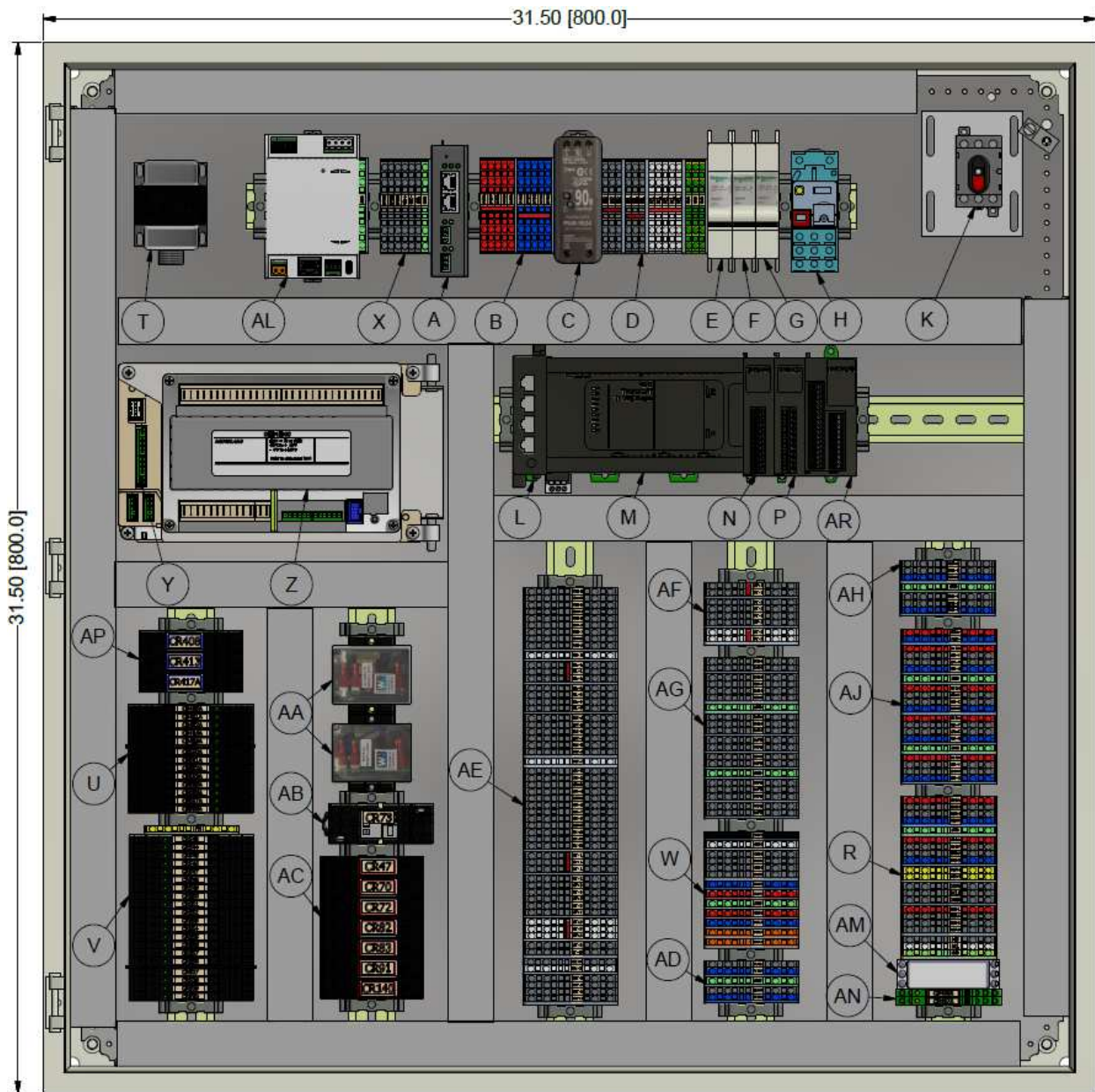
TS-CExx-xxxA-xxx-4xxx



TS-CED6-xD6A-Bx3-4CAC

Options for Kit in Enclosure	Dual Fuel Components (Z, AF)	Water Level Control Components (T, W)	Draft Control Components (E, R, AM, AN, AP)	PLC Output Components (P, AD)	Additional Digital Inputs and Outputs (AR)	Warrick Relays (AA)	Motor Starters (AQ)
TS-CEDx-xxxA-Bxx-4xxx	X						
TS-CEx6-xxxA-Bxx-4xxx		X					
TS-CExx-xDxA-Bxx-4xxx			X				
TS-CExx-xx3A-Bxx-4xxx				X			
TS-CExx-xx6A-Bxx-4xxx				X	X		
TS-CExx-xxxA-Bx3-4xxx						X	
TS-CExx-xxxA-Bxx-4CAC							X

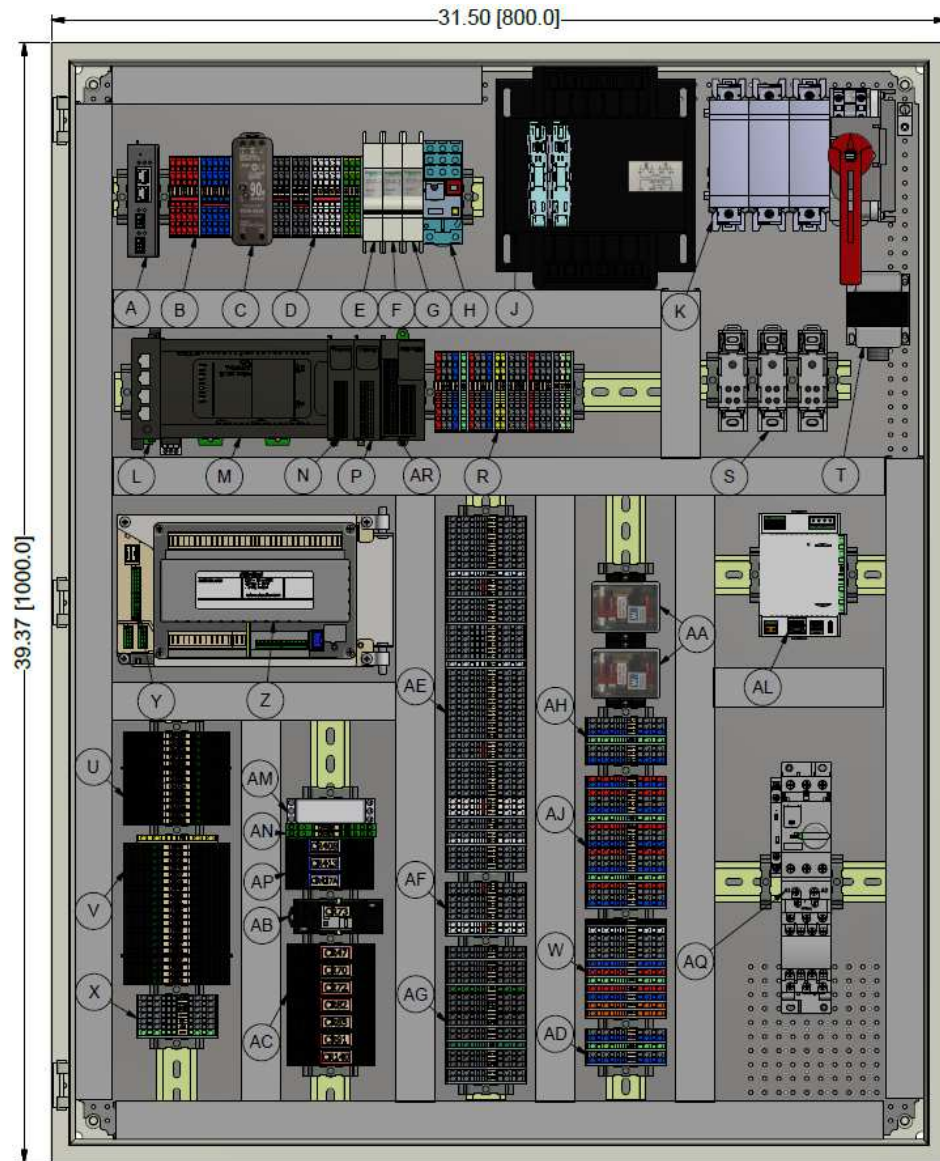
TS-CExx-xxxB-xxx-XXXX



TS-CED6-xD6B-Bx3-XXXX

Options for Kit in Enclosure	Dual Fuel Components (Z, AF)	Water Level Control Components (T, W)	Draft Control Components (E, R, AM, AN, AP)	PLC Output Components (P, AD)	Additional Digital Inputs and Outputs (AR)	Warrick Relays (AA)
TS-CEDx-xxxB-Bxx-XXXX	X					
TS-CEx6-xxxB-Bxx-XXXX		X				
TS-CExx-xDxB-Bxx-XXXX			X			
TS-CExx-xx3B-Bxx-XXXX				X		
TS-CExx-xx6B-Bxx-XXXX				X	X	
TS-CExx-xxxB-Bx3-XXXX						X

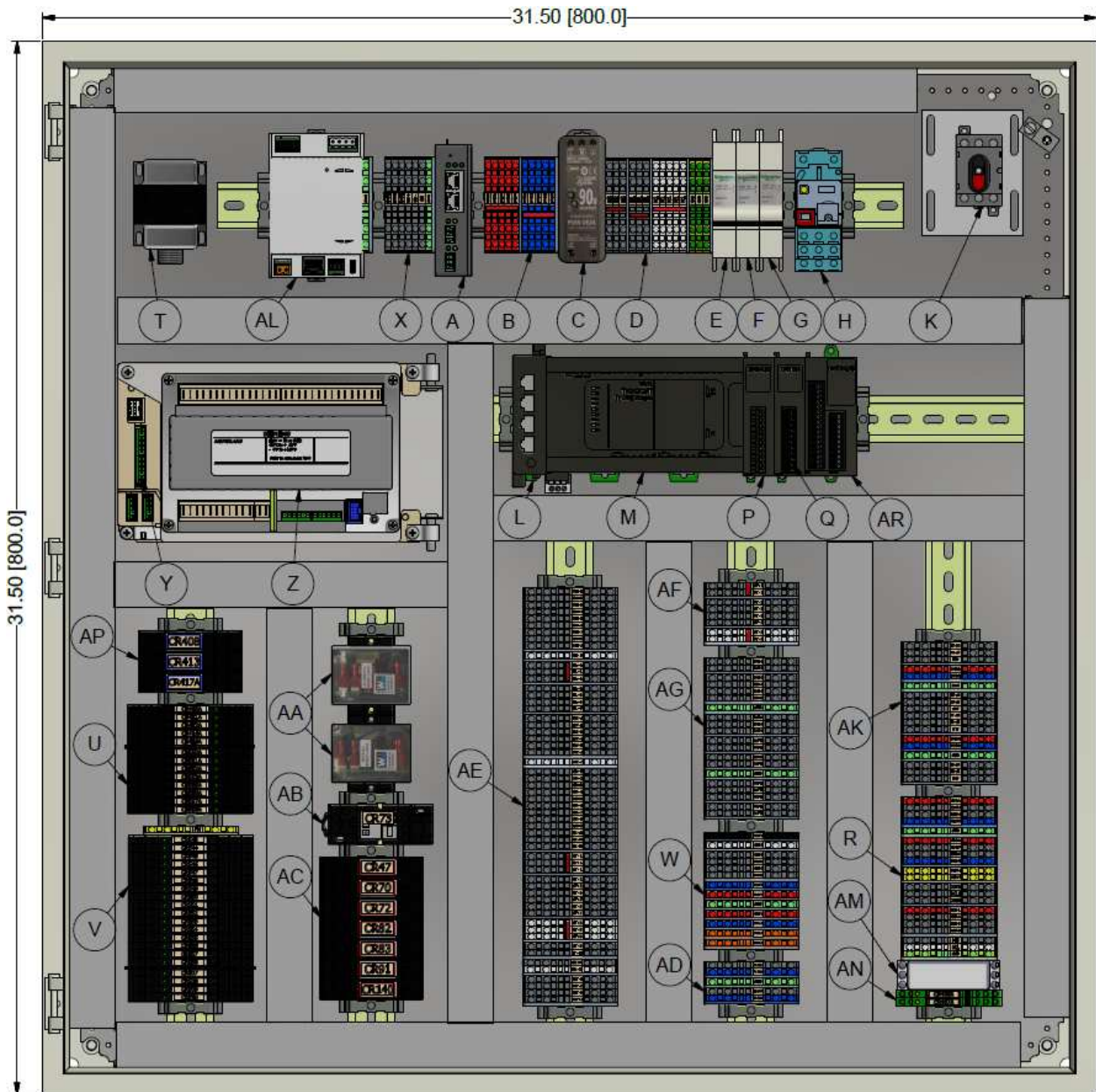
TS-CExx-xxxB-xxx-4xxx



TS-CED6-xD6B-Bx3-4CAC

Options for Kit in Enclosure	Dual Fuel Components (Z, AF)	Water Level Control Components (T, W)	Draft Control Components (E, R, AM, AN, AP)	PLC Output Components (P, AD)	Additional Digital Inputs and Outputs (AR)	Warrick Relays (AA)	Motor Starters (AQ)
TS-CEDx-xxxB-Bxx-4xxx	X						
TS-CEx6-xxxB-Bxx-4xxx		X					
TS-CExx-xDxB-Bxx-4xxx			X				
TS-CExx-xx3B-Bxx-4xxx				X			
TS-CExx-xx6B-Bxx-4xxx				X	X		
TS-CExx-xxxB-Bx3-4xxx						X	
TS-CExx-xxxB-Bxx-4CAC							X

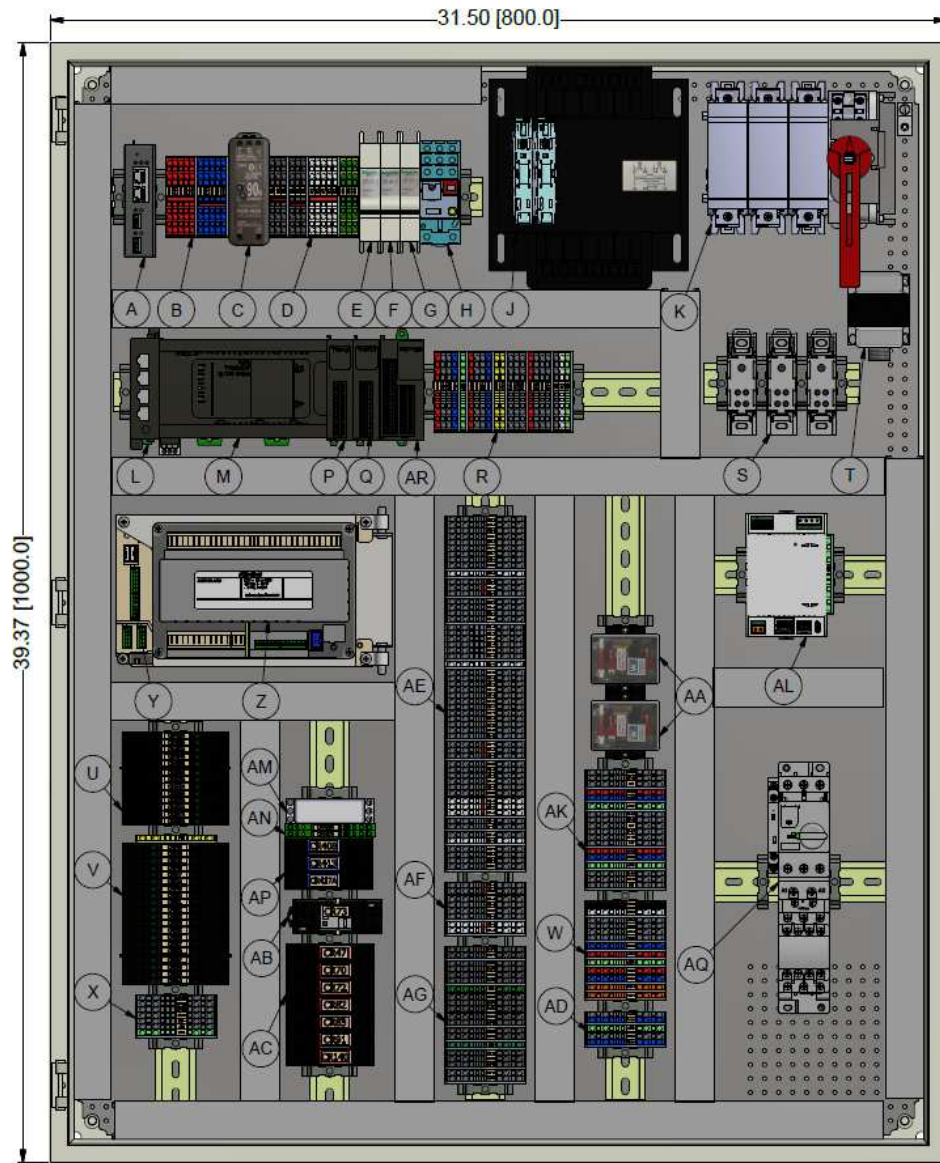
TS-CExx-xxxC-xxx-XXXX



TS-CED6-xD6C-Bx3-XXXX

Options for Kit in Enclosure	Dual Fuel Components (Z, AF)	Water Level Control Components (T, W)	Draft Control Components (E, R, AM, AN, AP)	PLC Output Components (P, AD)	Additional Digital Inputs and Outputs (AR)	Warrick Relays (AA)
TS-CEDx-xxxC-Bxx-XXXX	X					
TS-CEx6-xxxC-Bxx-XXXX		X				
TS-CExx-xDxC-Bxx-XXXX			X			
TS-CExx-xx3C-Bxx-XXXX				X		
TS-CExx-xx6C-Bxx-XXXX					X	
TS-CExx-xxxC-Bx3-XXXX						X

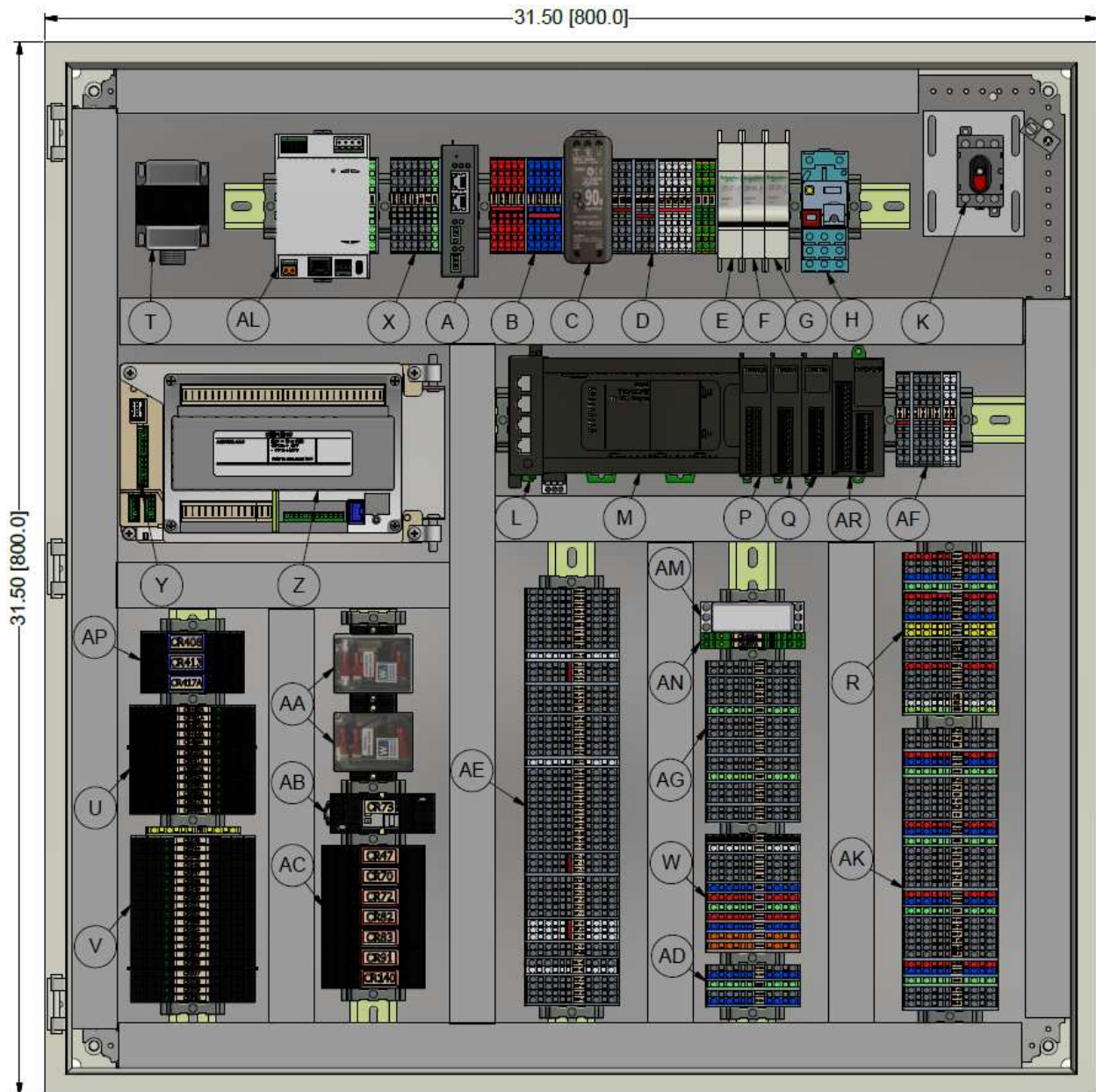
TS-CExx-xxxC-xxx-4xxx



TS-CED6-xD6C-Bx3-4CAC

Options for Kit in Enclosure	Dual Fuel Components (Z, AF)	Water Level Control Components (T, W)	Draft Control Components (E, R, AM, AN, AP)	PLC Output Components (P, AD)	Additional Digital Inputs and Outputs (AR)	Warrick Relays (AA)	Motor Starters (AQ)
TS-CEDx-xxxC-Bxx-4xxx	X						
TS-CEx6-xxxC-Bxx-4xxx		X					
TS-CExx-xDxC-Bxx-4xxx			X				
TS-CExx-xx3C-Bxx-4xxx				X			
TS-CExx-xx6C-Bxx-4xxx				X	X		
TS-CExx-xxxC-Bx3-4xxx						X	
TS-CExx-xxxC-Bxx-4CAC							X

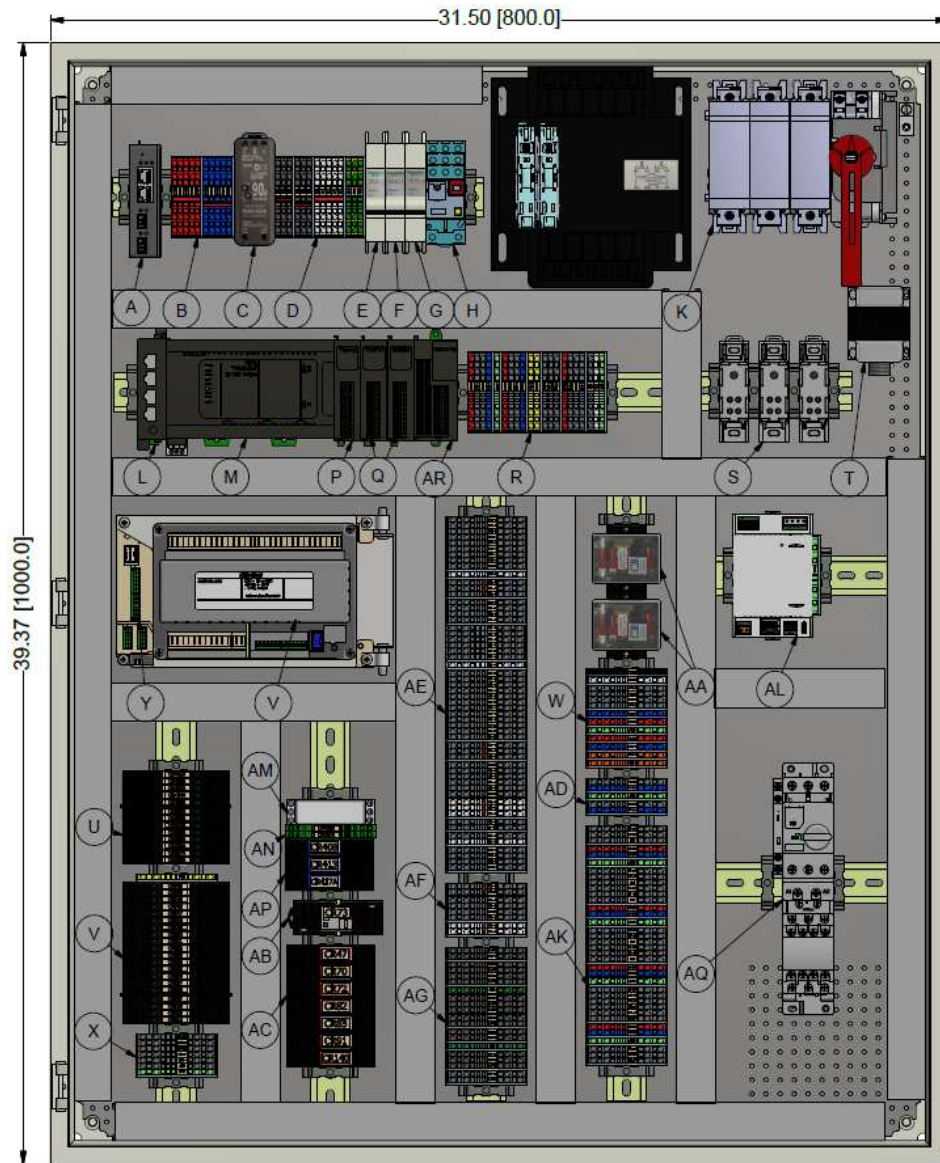
TS-CExx-xxxD-xxx-XXXX



TS-CED6-xD6D-Bx3-XXXX

Options for Kit in Enclosure	Dual Fuel Components (Z, AF)	Water Level Control Components (T, W)	Draft Control Components (E, R, AM, AN, AP)	PLC Output Components (P, AD)	Additional Digital Inputs and Outputs (AR)	Warrick Relays (AA)
TS-CEDx-xxxD-Bxx-XXXX	X					
TS-CEx6-xxxD-Bxx-XXXX		X				
TS-CExx-xDxD-Bxx-XXXX			X			
TS-CExx-xx3D-Bxx-XXXX				X		
TS-CExx-xx6D-Bxx-XXXX				X	X	
TS-CExx-xxxD-Bx3-XXXX						X

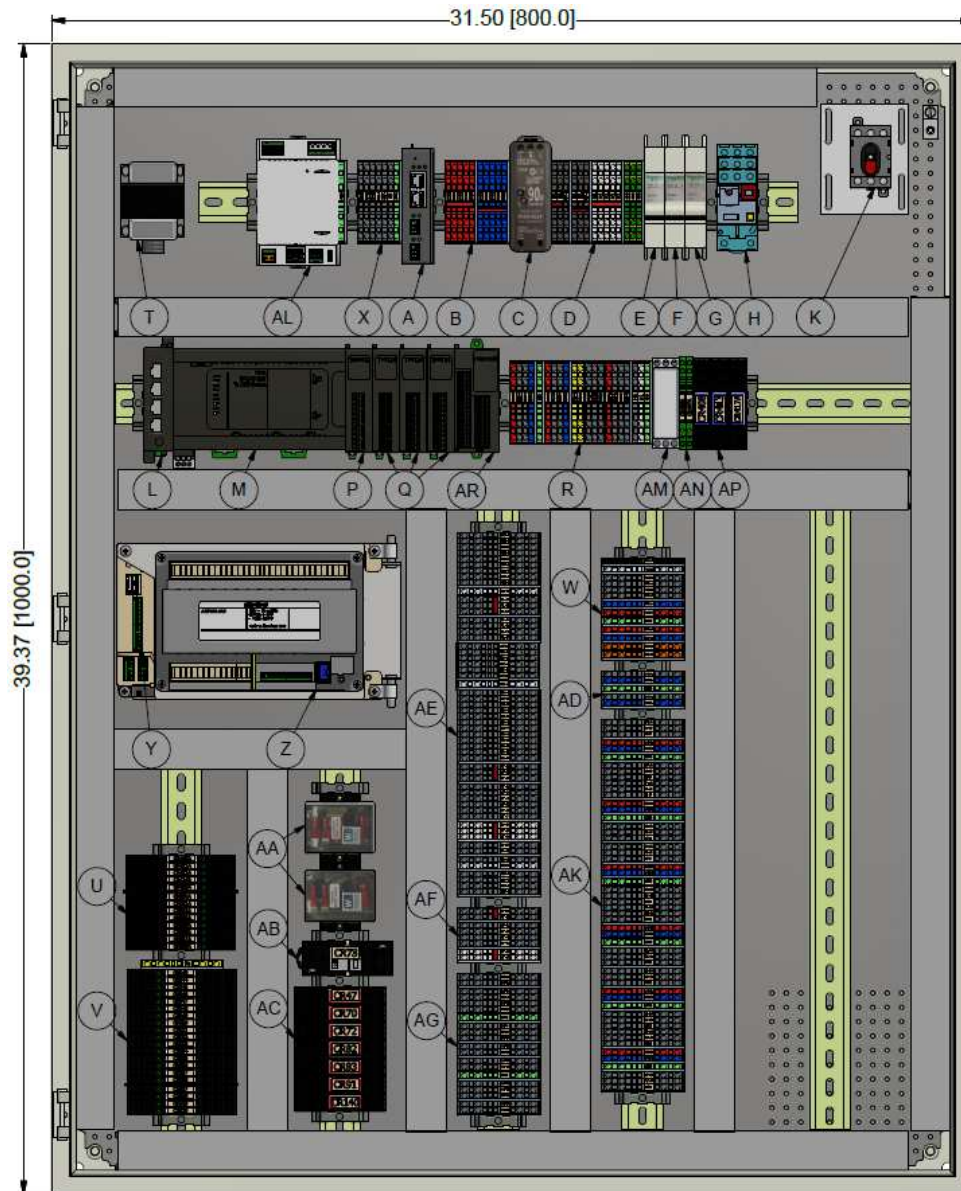
TS-CExx-xxxD-xxx-4xxx



TS-CED6-xD6D-Bx3-4CAC

Options for Kit in Enclosure	Dual Fuel Components (Z, AF)	Water Level Control Components (T, W)	Draft Control Components (E, R, AM, AN, AP)	PLC Output Components (P, AD)	Additional Digital Inputs and Outputs (AR)	Warrick Relays (AA)	Motor Starters (AQ)
TS-CEDx-xxxD-Bxx-4xxx	X						
TS-CEx6-xxxD-Bxx-4xxx		X					
TS-CExx-xDxD-Bxx-4xxx			X				
TS-CExx-xx3D-Bxx-4xxx				X			
TS-CExx-xx6D-Bxx-4xxx				X	X		
TS-CExx-xxxD-Bx3-4xxx						X	
TS-CExx-xxxD-Bxx-4CAC							X

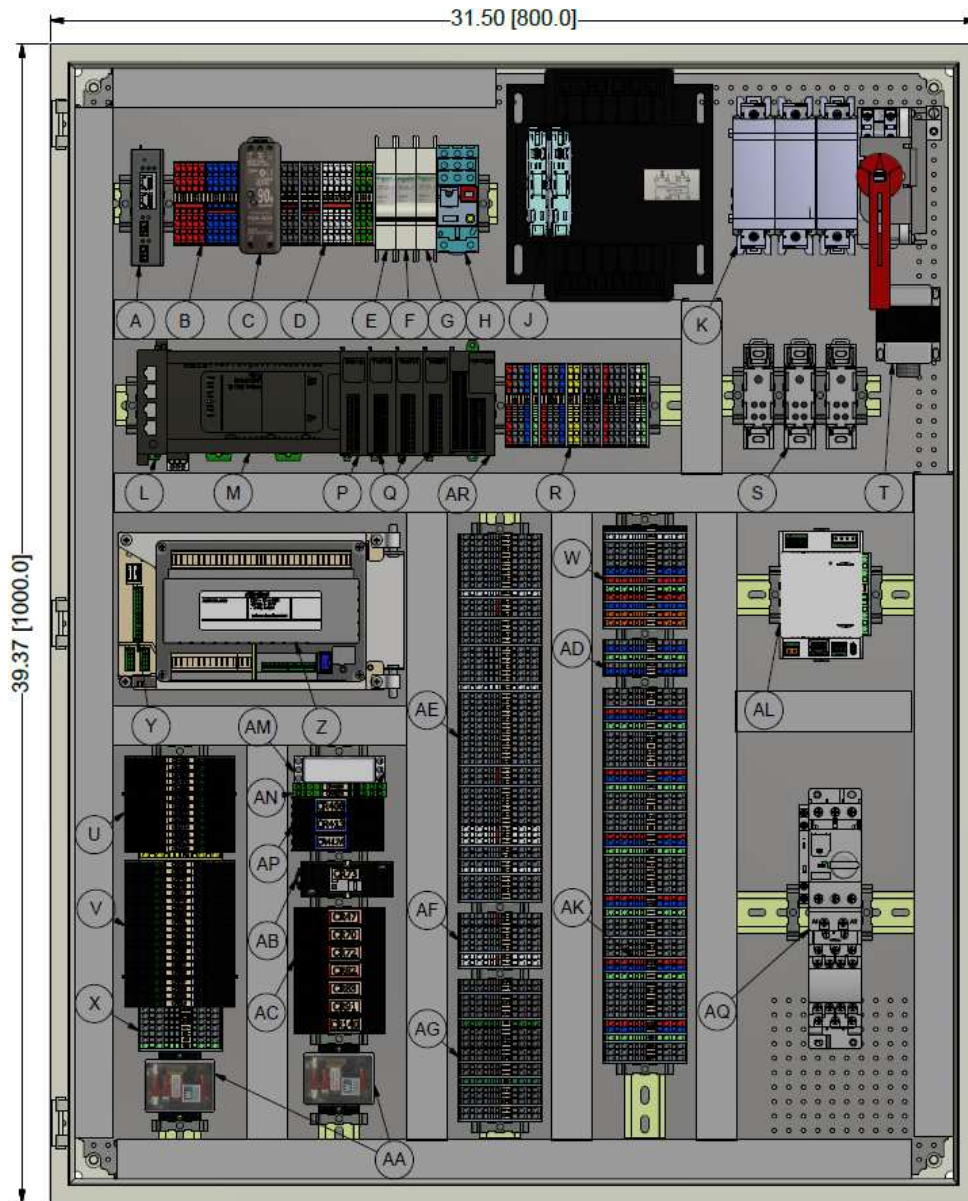
TS-CExx-xxxE-xxx-XXXX



TS-CED6-xD6E-Bx3-XXXX

Options for Kit in Enclosure	Dual Fuel Components (Z, AF)	Water Level Control Components (T, W)	Draft Control Components (E, R, AM, AN, AP)	PLC Output Components (P, AD)	Additional Digital Inputs and Outputs (AR)	Warrick Relays (AA)
TS-CEDx-xxxE-Bxx-XXXX	X					
TS-CEx6-xxxE-Bxx-XXXX		X				
TS-CExx-xDxE-Bxx-XXXX			X			
TS-CExx-xx3E-Bxx-XXXX				X		
TS-CExx-xx6E-Bxx-XXXX				X	X	
TS-CExx-xxxE-Bx3-XXXX						X

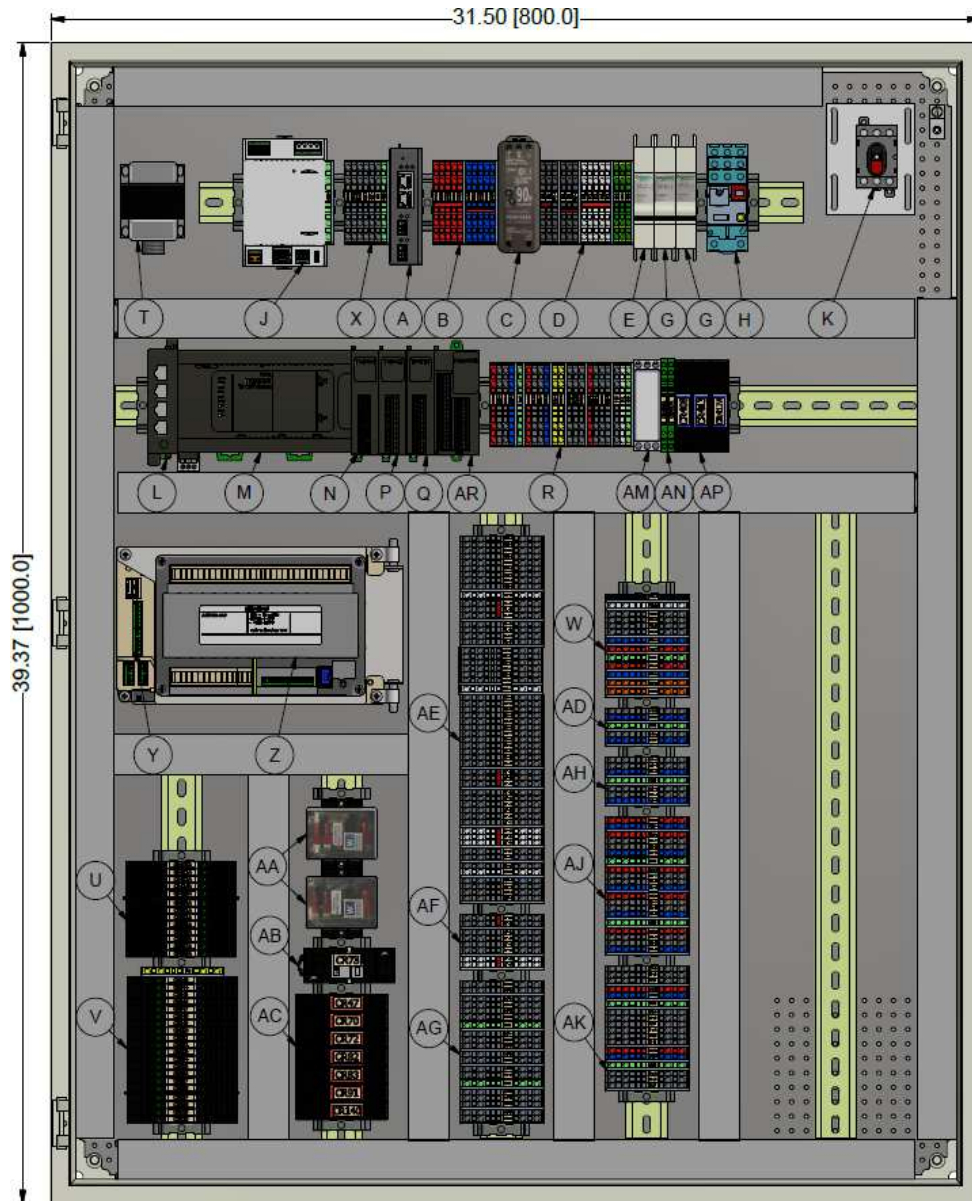
TS-CExx-xxxE-xxx-4xxx



TS-CED6-xD6E-Bx3-4CAC

Options for Kit in Enclosure	Dual Fuel Components (Z, AF)	Water Level Control Components (T, W)	Draft Control Components (E, R, AM, AN, AP)	PLC Output Components (P, AD)	Additional Digital Inputs and Outputs (AR)	Warrick Relays (AA)	Motor Starters (AQ)
TS-CE D x-xxxE-Bxx-4xxx	X						
TS-CE x6 -xxxE-Bxx-4xxx		X					
TS-CE xx-xD xE-Bxx-4xxx			X				
TS-CE xx-xx3 E-Bxx-4xxx				X			
TS-CE xx-xx6 E-Bxx-4xxx				X	X		
TS-CE xx-xxx E-B x3 -4xxx						X	
TS-CE xx-xxx E-Bxx-4 CA C							X

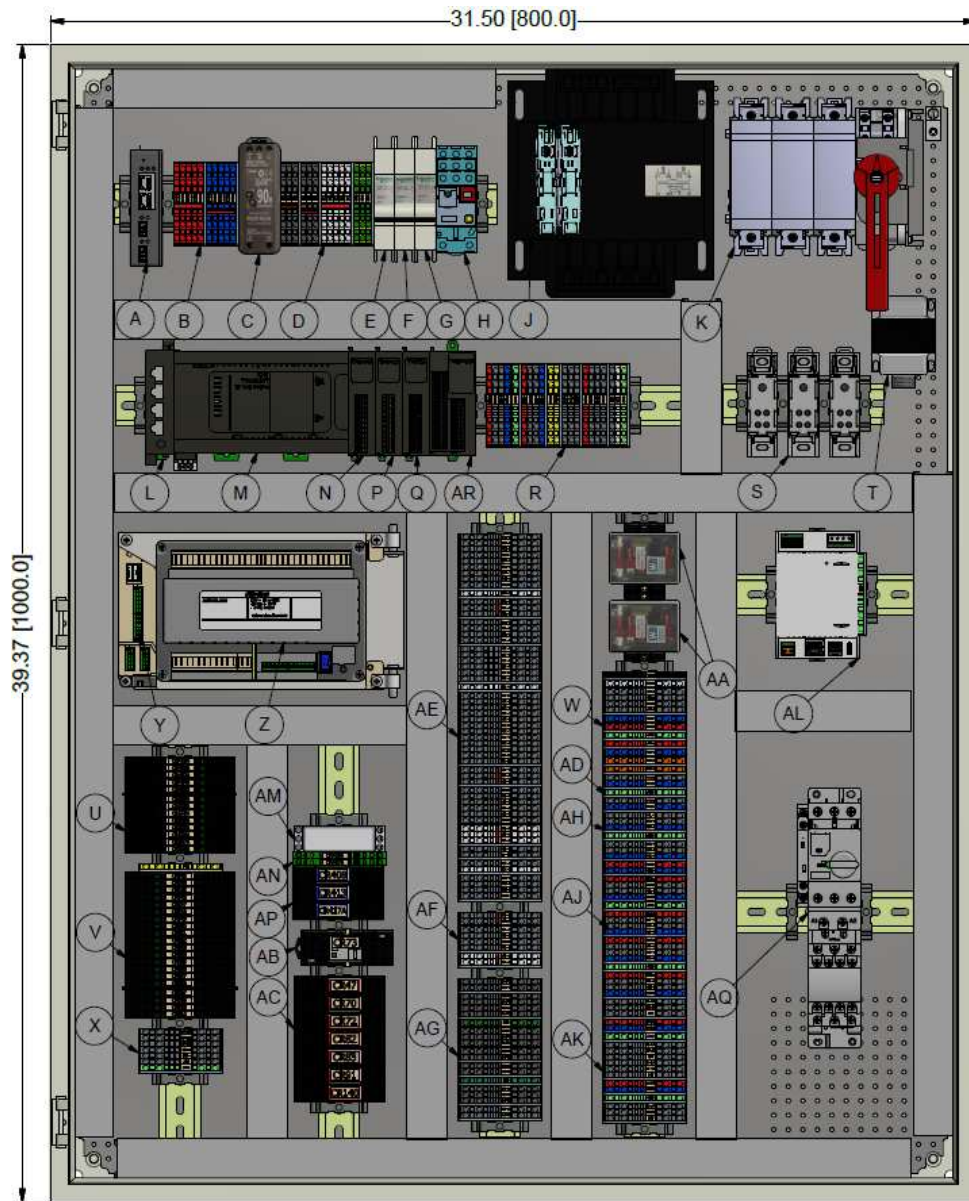
TS-CExx-xxxF-xxx-XXXX



TS-CED6-xD6F-Bx3-XXXX

Options for Kit in Enclosure	Dual Fuel Components (Z, AF)	Water Level Control Components (T, W)	Draft Control Components (E, R, AM, AN, AP)	PLC Output Components (P, AD)	Additional Digital Inputs and Outputs (AR)	Warrick Relays (AA)
TS-CEDx-xxxF-Bxx-XXXX	X					
TS-CEx6-xxxF-Bxx-XXXX		X				
TS-CExx-xDxF-Bxx-XXXX			X			
TS-CExx-xx3F-Bxx-XXXX				X		
TS-CExx-xx6F-Bxx-XXXX				X	X	
TS-CExx-xxxF-Bx3-XXXX						X

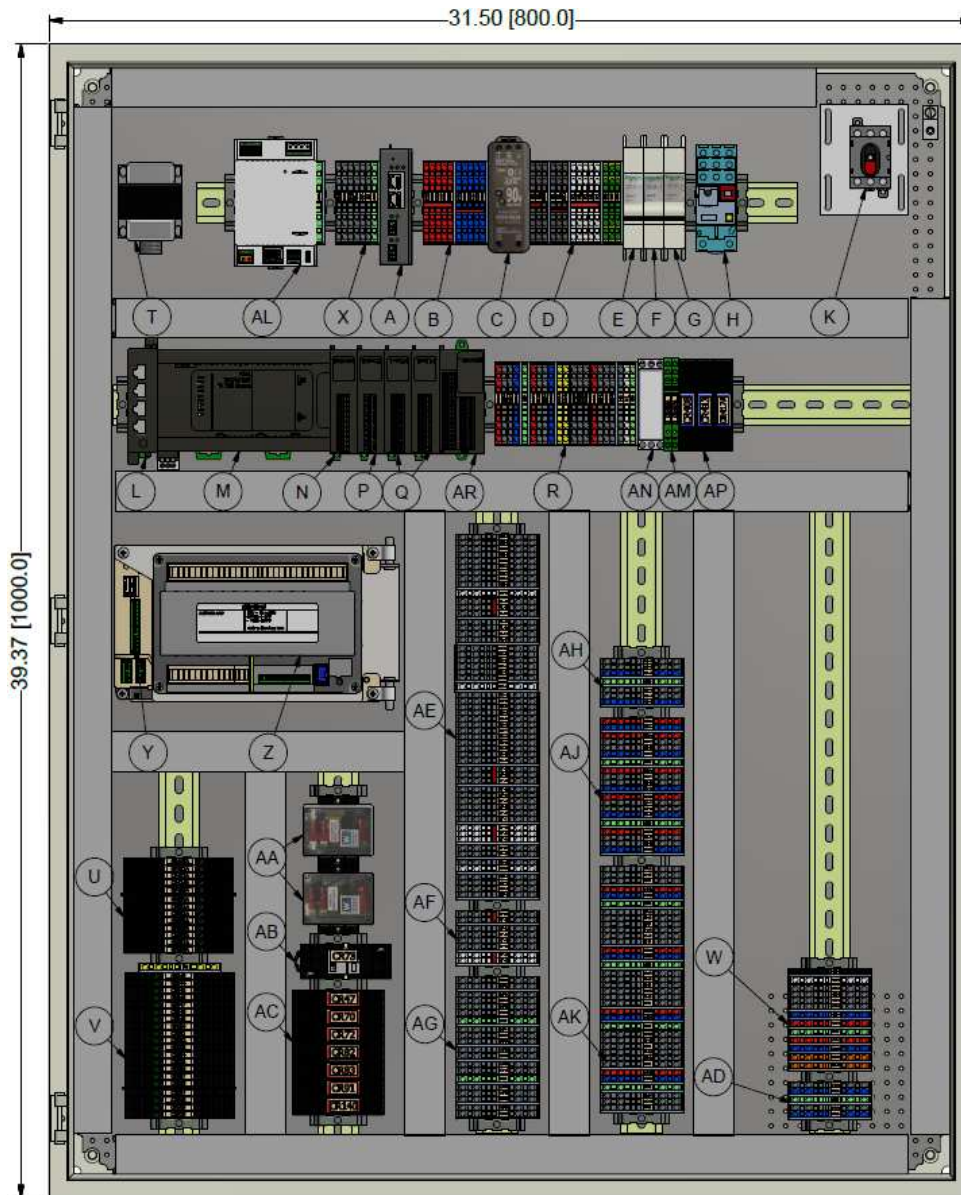
TS-CExx-xxxF-xxx-4xxx



TS-CED6-xD6F-Bx3-4CAC

Options for Kit in Enclosure	Dual Fuel Components (Z, AF)	Water Level Control Components (T, W)	Draft Control Components (E, R, AM, AN, AP)	PLC Output Components (P, AD)	Additional Digital Inputs and Outputs (AR)	Warrick Relays (AA)	Motor Starters (AQ)
TS-CE D x-xxxF-Bxx-4xxx	X						
TS-CEx 6 -xxxF-Bxx-4xxx		X					
TS-CExx-x D xF-Bxx-4xxx			X				
TS-CExx-xx 3 F-Bxx-4xxx				X			
TS-CExx-xx 6 F-Bxx-4xxx				X	X		
TS-CExx-xxxF-Bx 3 -4xxx						X	
TS-CExx-xxxF-Bxx-4 CAC							X

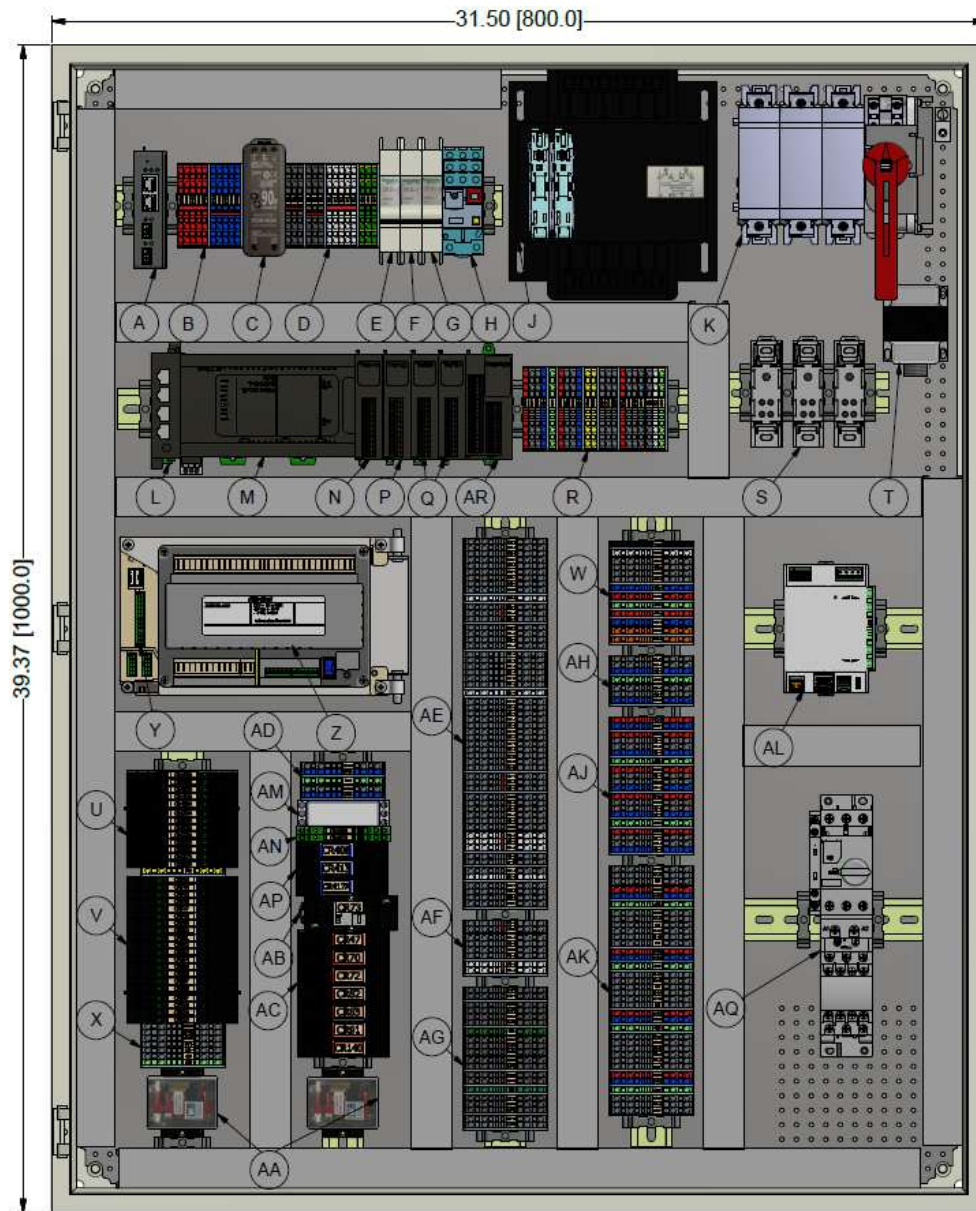
TS-CExx-xxxG-xxx-XXXX



TS-CED6-xD6G-Bx3-XXXX

Options for Kit in Enclosure	Dual Fuel Components (Z, AF)	Water Level Control Components (T, W)	Draft Control Components (E, R, AM, AN, AP)	PLC Output Components (P, AD)	Additional Digital Inputs and Outputs (AR)	Warrick Relays (AA)
TS-CEDx-xxxG-Bxx-XXXX	X					
TS-CEx6-xxxG-Bxx-XXXX		X				
TS-CExx-xDxG-Bxx-XXXX			X			
TS-CExx-xx3G-Bxx-XXXX				X		
TS-CExx-xx6G-Bxx-XXXX					X	
TS-CExx-xxxG-Bx3-XXXX						X

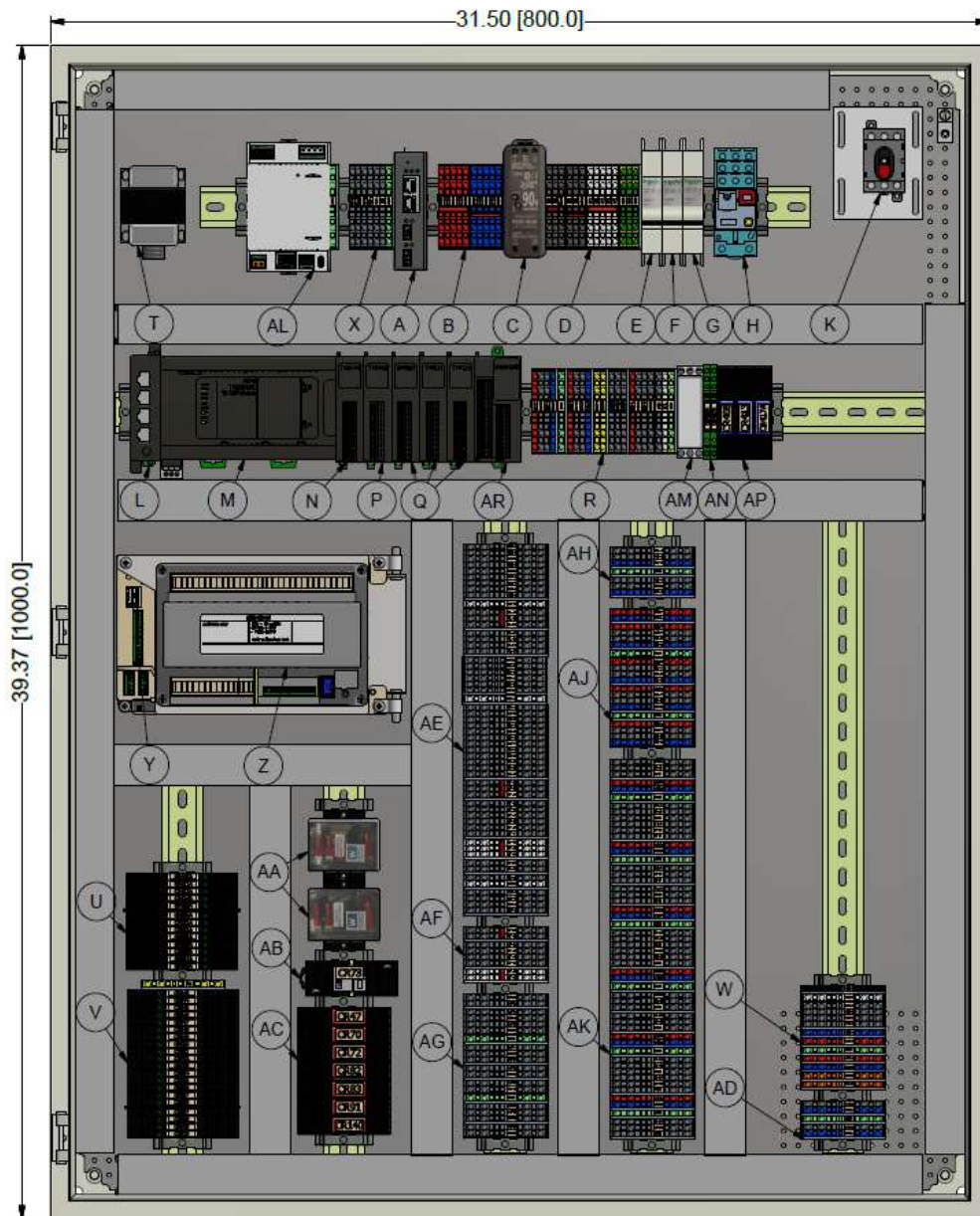
TS-CExx-xxxG-xxx-4xxx



TS-CED6-xD6G-Bx3-4CAC

Options for Kit in Enclosure	Dual Fuel Components (Z, AF)	Water Level Control Components (T, W)	Draft Control Components (E, R, AM, AN, AP)	PLC Output Components (P, AD)	Additional Digital Inputs and Outputs (AR)	Warrick Relays (AA)	Motor Starters (AQ)
TS-CEDx-xxxG-Bxx-4xxx	X						
TS-CEx6-xxxG-Bxx-4xxx		X					
TS-CExx-xDxG-Bxx-4xxx			X				
TS-CExx-xx3G-Bxx-4xxx				X			
TS-CExx-xx6G-Bxx-4xxx				X	X		
TS-CExx-xxxG-Bx3-4xxx						X	
TS-CExx-xxxG-Bxx-4CAC							X

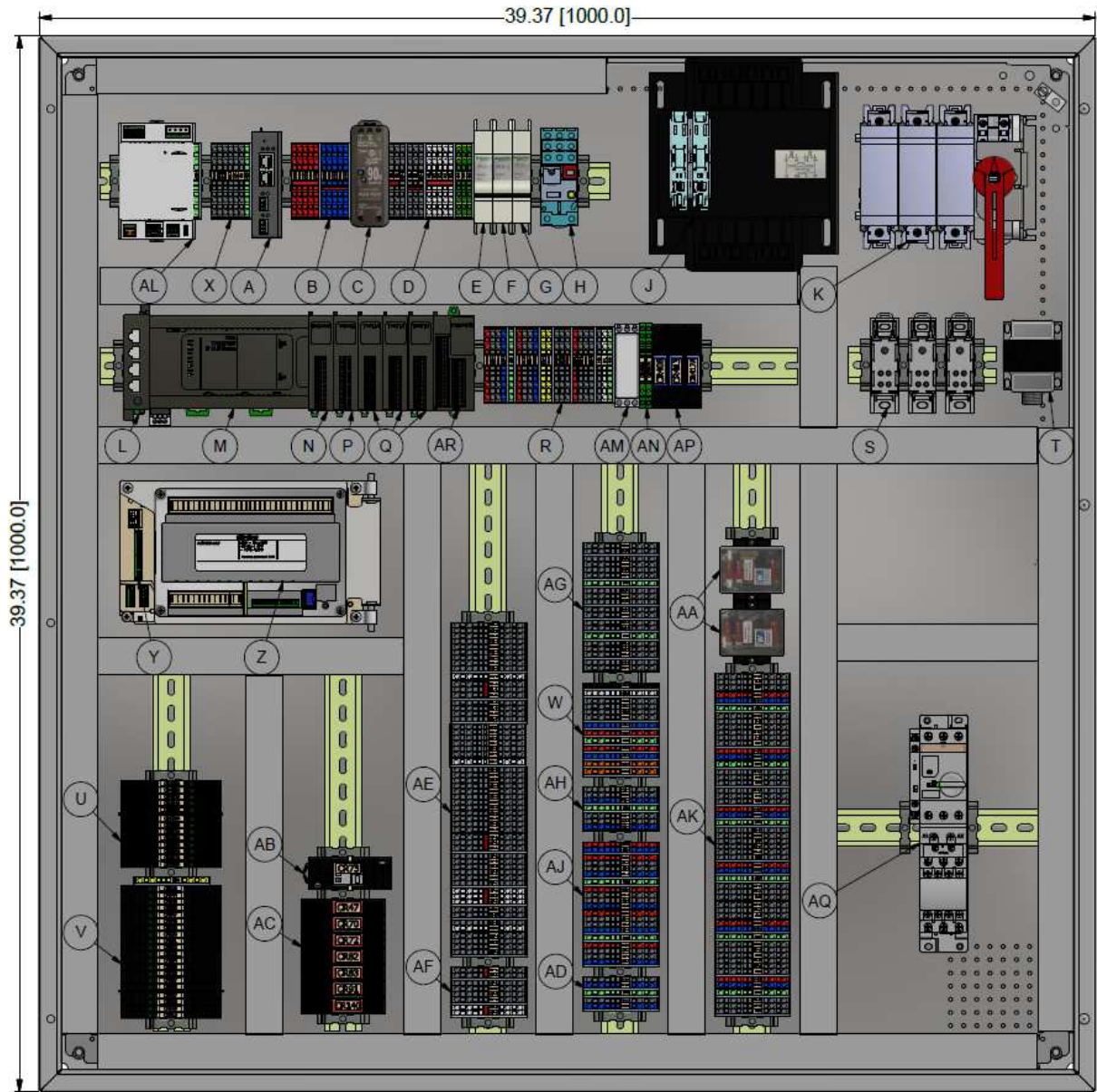
TS-CExx-xxxH-xxx-XXXX



TS-CED6-xD6H-Bx3-XXXX

Options for Kit in Enclosure	Dual Fuel Components (Z, AF)	Water Level Control Components (T, W)	Draft Control Components (E, R, AM, AN, AP)	PLC Output Components (P, AD)	Additional Digital Inputs and Outputs (AR)	Warrick Relays (AA)
TS-CEDx-xxxH-Bxx-XXXX	X					
TS-CEx6-xxxH-Bxx-XXXX		X				
TS-CExx-xDxH-Bxx-XXXX			X			
TS-CExx-xx3H-Bxx-XXXX				X		
TS-CExx-xx6H-Bxx-XXXX				X	X	
TS-CExx-xxxH-Bx3-XXXX						X

TS-CExx-xxxH-xxx-4xxx

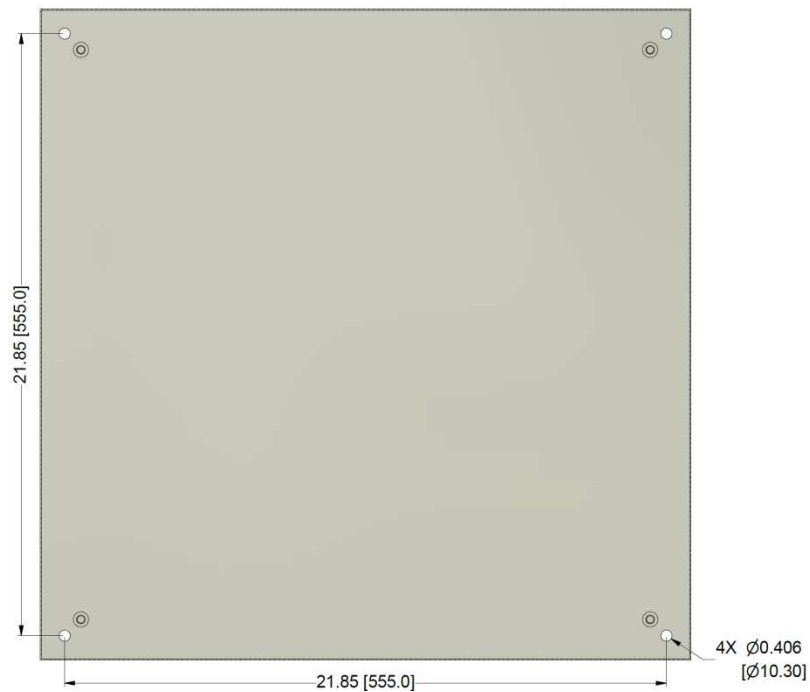
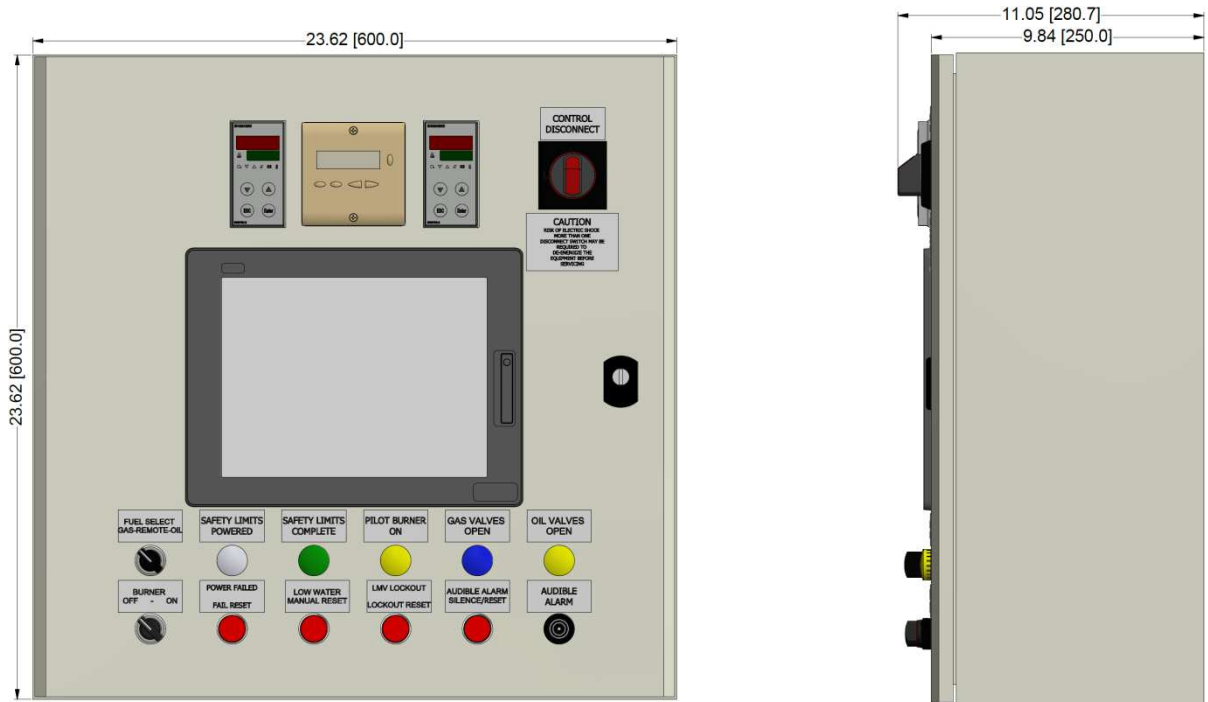


TS-CED6-xD6H-Bx3-4CAC

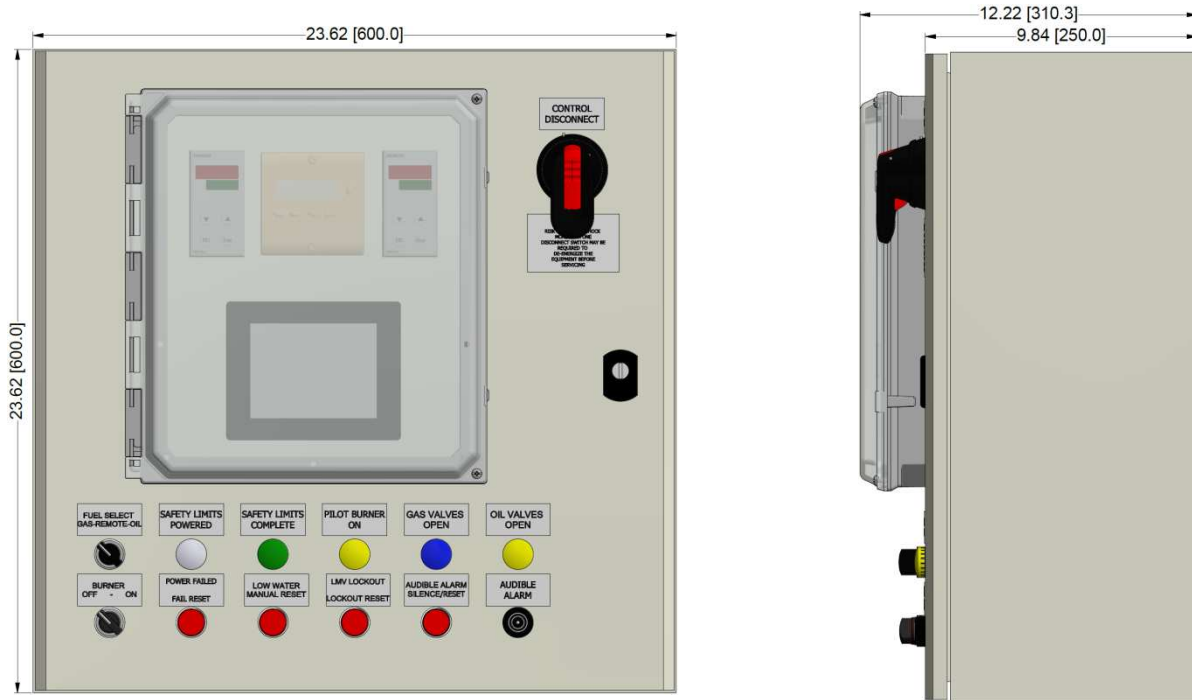
Options for Kit in Enclosure	Dual Fuel Components (Z, AF)	Water Level Control Components (T, W)	Draft Control Components (E, R, AM, AN, AP)	PLC Output Components (P, AD)	Additional Digital Inputs and Outputs (AR)	Warrick Relays (AA)	Motor Starters (AQ)
TS-CEDx-xxxH-Bxx-4xxx	X						
TS-CEx6-xxxH-Bxx-4xxx		X					
TS-CExx-xDxH-Bxx-4xxx			X				
TS-CExx-xx3H-Bxx-4xxx				X			
TS-CExx-xx6H-Bxx-4xxx				X	X		
TS-CExx-xxxH-Bx3-4xxx						X	
TS-CExx-xxxH-Bxx-4CAC							X

24" X 24" X 10" Enclosure Dimensions

TS-CED6-2xxx-x1x-xxxx

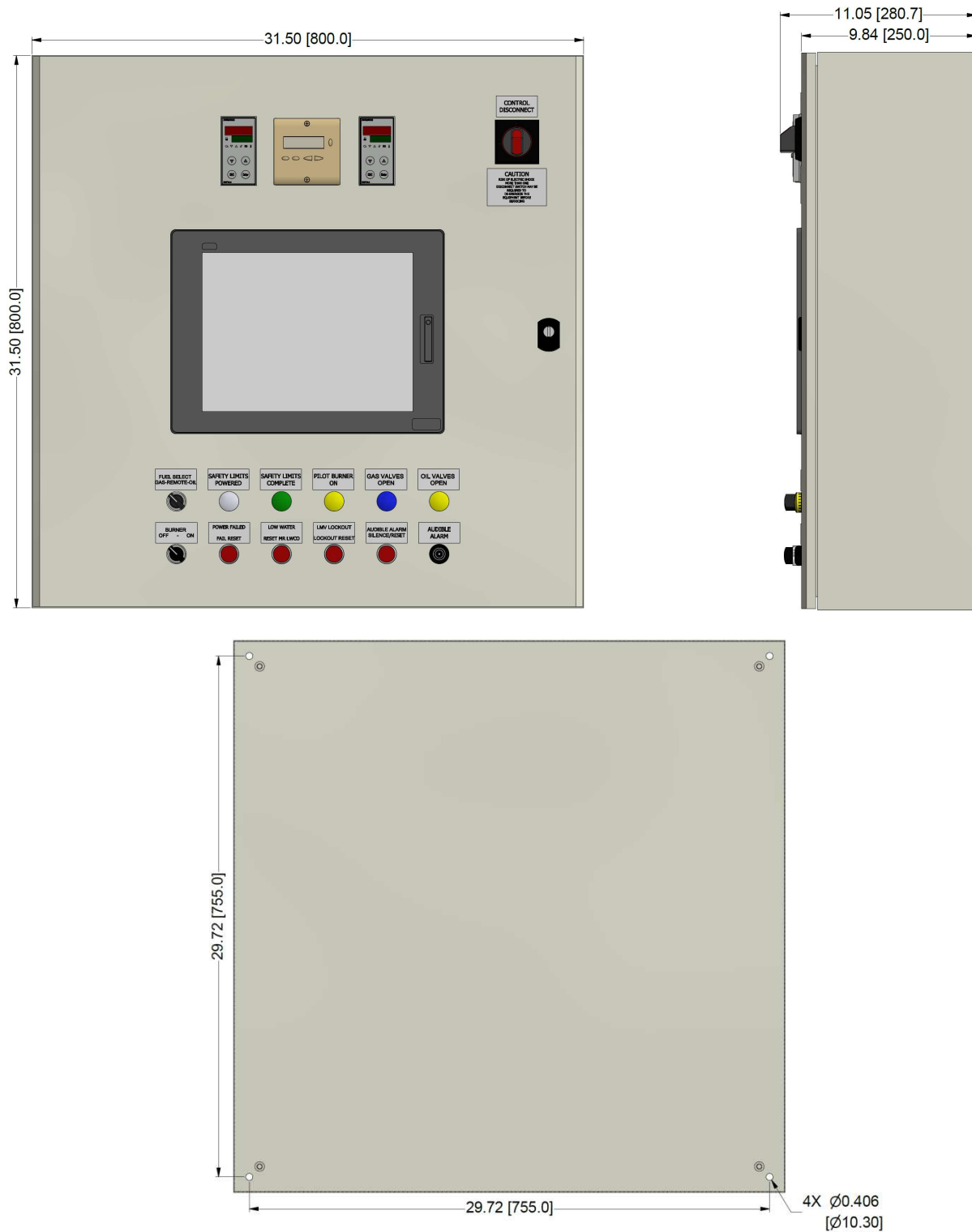


TS-CED6-6xxx-x2x-xxxx

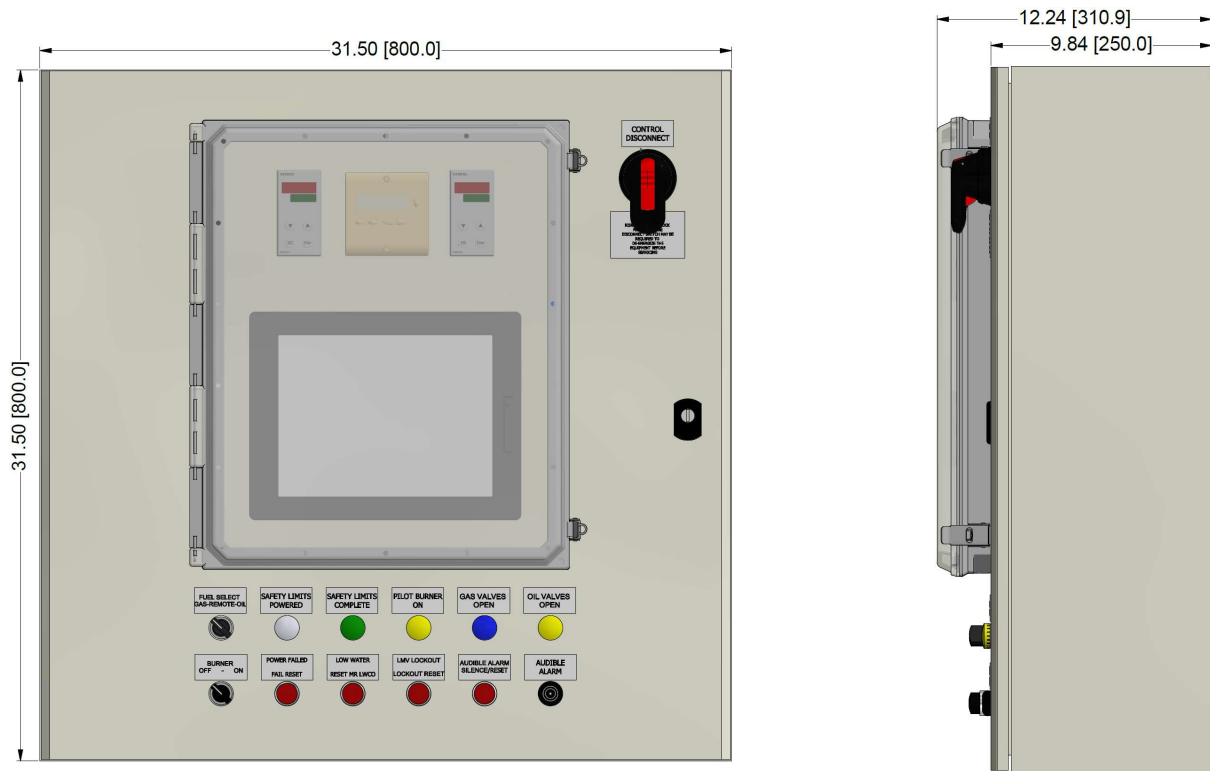


32" X 32" X 10" Enclosure Dimensions

TS-CED6-5xxx-x1x-xxxx

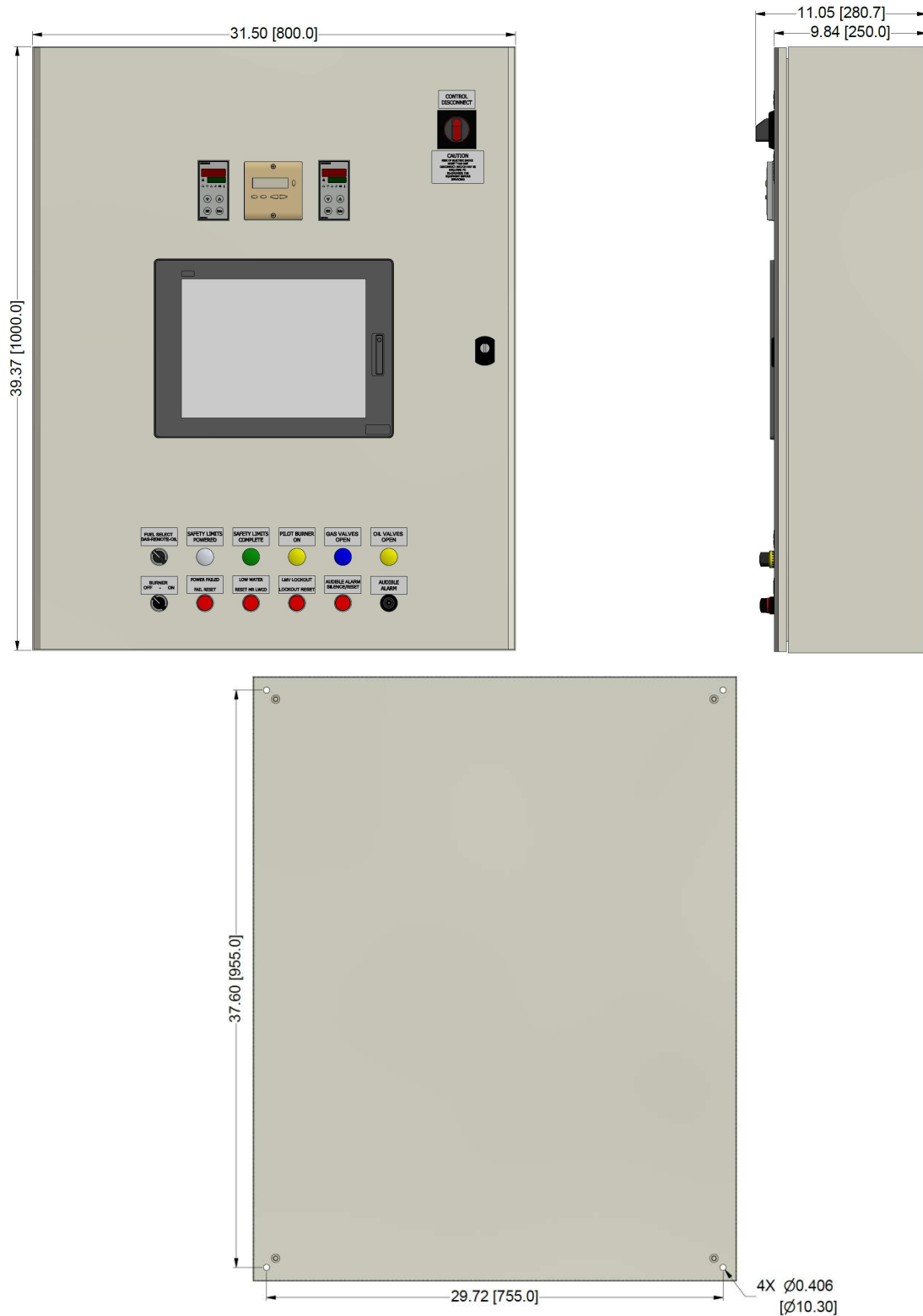


TS-CED6-2xxx-x2x-xxxx

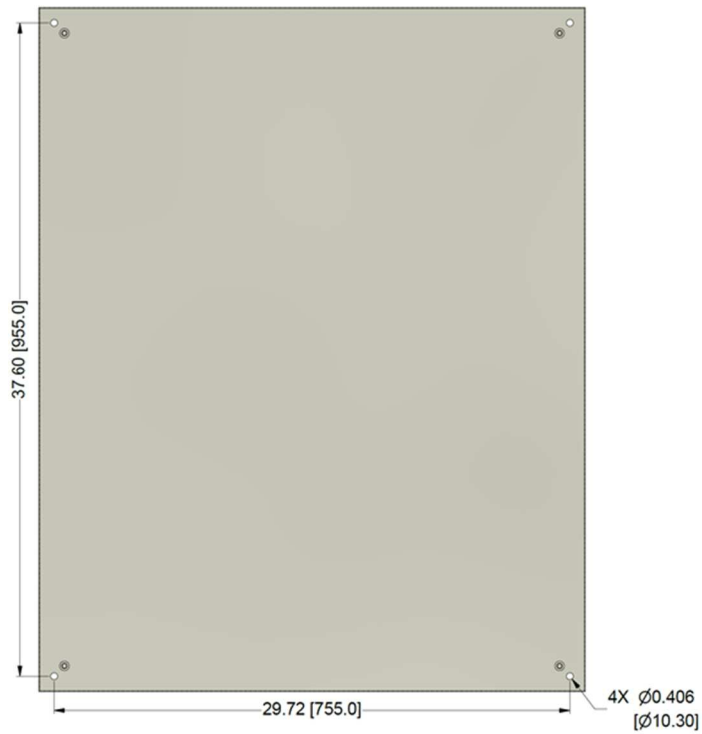
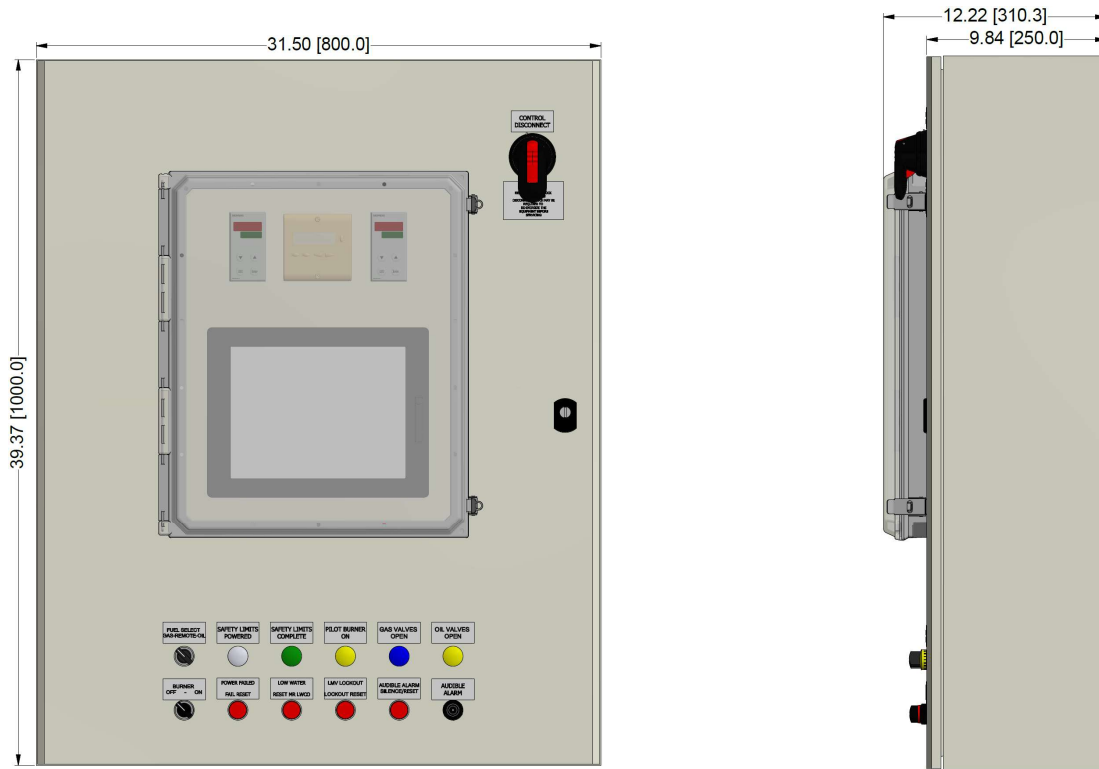


40" X 32" X 10" Enclosure Dimensions

TS-CED6-5xxx-x1x-xxxx



TS-CED6-2xxx-x2x-xxxx



Information in this publication is based on current specifications. The company reserves the right to make changes in specifications and models as design improvements are introduced. Product or company names mentioned herein may be the trademarks of their respective owners. © 2009 SCC Inc.

SCC Inc.
1250 Lunt Avenue
Elk Grove Village, IL 60007
U.S.A.

Your feedback is important to us. If you have
comments about this document, please send them
to techsupport@scccombustion.com

Document No. TS-4000
Country of Origin: US
Page **72**
