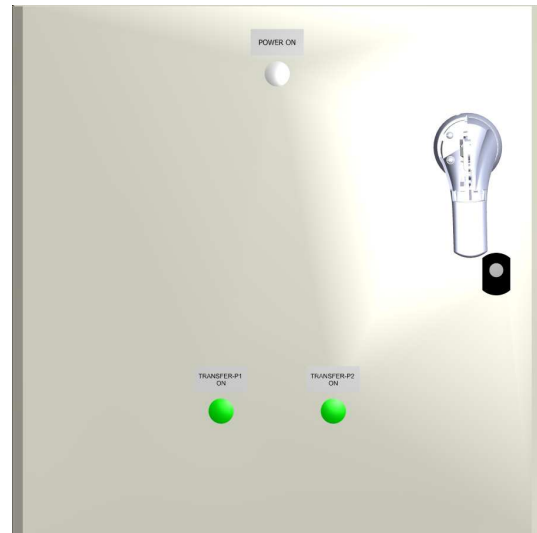


TS-3D.... Stand-Alone Deaerator/Surge or Condensate Tanks Three Phase Enclosures



Description

TS-3D... series three phase enclosures are suited for any Deaerator, Surge, Condensate, or Combination DA/SRG, DA/Condensate, or Surge/Condensate stand-alone panels. Provide a single point power entry and connects to SCC Inc. control system.

The TS-3D... three phase enclosures are suited for DA, Surge, or condensate for feedwater or transfer pump motor controls with starters or VFDs.

Features

- Up to 6 pumps
- Up to 50HP feedwater pump motor starter or VFD protected connection, up to 20HP compressor motor starter, and up to 10HP for the oil pumps motor starter
- 120VAC fused power connection
- Control panel command and feedback connections
- NEMA12/4X
- UL 508 listed

Application

The TS-3D... three phase enclosures are suited for DA, Surge, Condensate, or combination with 208, 220-240, 460-480, or 550-600 VAC power connections

Components

TS... 3 phase panel may include the following components:

- Three phase main fused disconnect
- Molded case circuit breakers, Manual Motor Circuit Protection, or fuses for VFDs and starters above 60 FLA
- Power distribution blocks, or lugs
- Feedwater pump motor starters
- Feedwater pump fused VFD connection
- Control circuit fused transformer
- 120VAC power connection terminals
- Starters control and feedback current switch terminals
- VFD control and feedback current switches, or VFD start dry contact feedback
- Power indication light

Optional Components

TS... 3 phase panel may include the following optional components:

- RWF50 or RWF55 Water level controllers
- Pump Hand/OFF/Auto selector switches
- 200, 350, 500, 750, or 1000VA control transformer
- High, Low, and Low/Low water level indication lights
- Pump run indication lights
- 24VDC power supply
- 40VA feedwater 24VAC actuator transformer
- Fused connections for make water, and steam heat solenoid valves.

Product Part Numbers

TS- 3D - 4		4 - 3	S	S	J - 2	S	S	H - S	A	7 - B	5	X	X	C
DA/SRG/Cond Tank														
Panel Voltage VAC														
2 = 220-240		5 = 550-600												
4 = 460-480		8 = 208												
Tank Type														
1 = DA w/ feedwater pumps														
2 = Surge w/ transfer pumps														
3 = Condensate w/ transfer pumps														
4 = DA & Surge w/ feed & transfer pumps														
5 = Feedwater tank w/ feedwater pumps														
Number of Feedwater Pumps														
X = No pumps		3 = 3 pumps		6 = 6 pumps										
1 = 1 pump		4 = 4 pumps												
2 = 2 pumps		5 = 5 pumps												
A = 1 pump w/shunt trip protection														
B = 2 pump w/shunt trip protection														
C = 3 pump w/shunt trip protection														
Feedwater Pumps VFD Type or Motor Starters														
X = None		U = Grundfos CUE		S = Motor starters										
Y = Yaskawa		R = Grundfos CRE												
Feedwater Pumps Protection Type														
X = No pumps														
S = Motor starters w/ built in disconnect and circuit protection (SCCR =														
F = Fuses and fuse holders (SCCR = 100kA)														
D = Fused disconnects (SCCR = 100kA)														
M = Molded case circuit breakers (MCCBs) (SCCR = 65kA)														
Feedwater Pumps Motor/VFD HP Size														
X = No pumps		D = 1.5 HP		H = 7.5 HP		M = 25 HP		R = 60 HP						
A = 0.5 HP		E = 2 HP		J = 10 HP		N = 30 HP								
B = 0.75 HP		F = 3 HP		K = 15 HP		P = 40 HP								
C = 1 HP		G = 5 HP		L = 20 HP		Q = 50 HP								
Number of Transfer Pumps														
X = No pumps		2 = 2 pumps		4 = 4 pumps		6 = 6 pumps								
1 = 1 pump		3 = 3 pumps		5 = 5 pumps										
Transfer Pumps VFD Type or Motor Starters														
X = None		U = Grundfos CUE		S = Motor starters										
Y = Yaskawa		R = Grundfos CRE		T = Others										
Transfer Pumps Protection Type														
X = No pumps														
S = Motor starters w/ built in disconnect and circuit protection (SCCR = 42-65KA)														
F = Fuses and fuse holders (SCCR = 100kA)														
D = Fused disconnects (SCCR = 100kA)														
M = Molded case circuit breakers (MCCBs) (SCCR = 65KA)														
Transfer Pumps Motor/VFD HP Size														
X = No pumps		C = 1 HP		F = 3 HP		J = 10 HP		M = 25 HP		Q = 50 HP				
A = 0.5 HP		D = 1.5 HP		G = 5 HP		K = 15 HP		N = 30 HP		R = 60 HP				
B = 0.75 HP		E = 2 HP		H = 7.5 HP		L = 20 HP		P = 40 HP						
Enclosure NEMA rating														
S = NEMA 12/4X (powder coated mild steel), no cooling fan														
1 = NEMA 1 w/ cooling fan														
2 = NEMA 12 w/ cooling fan, includes filter over fan														
4 = NEMA 4X (powder coated mild steel) w/ cooling fan, includes stainless steel hood over fan														
5 = NEMA 1														
High, Low, and Low/Low Water Level Indicator Lights and Audible Alarm														
X = No water level indicator lights or audible alarm														
A = High, low, and low/low water level indicator lights, and an audible alarm with a silence/reset button														
B = High, low, and low/low water level indicator lights only														
Step Down Control Transformer to 120VAC														
X = No transformer		3 = 350VA transformer		7 = 750VA transformer										
2 = 200VA transformer		5 = 500VA transformer		0 = 1000VA transformer										
Hand/Off/Auto (HOA) Selector Switches and Pump Run Indicator Lights (one per pump)														
X = No HOA selector switches, no pump run indicator lights		B = HOA selector switches and pump run indicator lights												
A = HOA selector switches only		C = Pump run indicator lights only												
RWF5 Water Level Control Options														
X = No RWF5/No 40VA transformer for water level control														
0 = One RWF50 for water level control		A = One RWF50 for water level control and one 24VAC (40VA) transformer												
5 = One RWF55 for water level control		B = One RWF55 for water level control and one 24VAC (40VA) transformer												
6 = Two RWF55s for water level control		C = Two RWF55s for water level control and one 24VAC (40VA) transformer												
24VDC Power Supply With DC Power Light														
X = No 24VDC, 60W Power Supply		9 = 24VDC, 90W power supply												
6 = 24VDC, 60W power supply														
Control Transformer Selector Switch Power From Enclosure 1 or Power From Enclosure 2														
X = No Selector Switch														
Y = Selector Switch included														
Make Up Water and Steam Heat Solenoid Valve Connection Options														
X = No fused connections for solenoid valves														
A = Fused connection for make up water solenoid valve; includes indicator light														
B = Fused connection for steam heat input solenoid valve; includes indicator light														
C = Fused connections for make up water solenoid valve, and steam heat input solenoid valve; includes indicator lights														

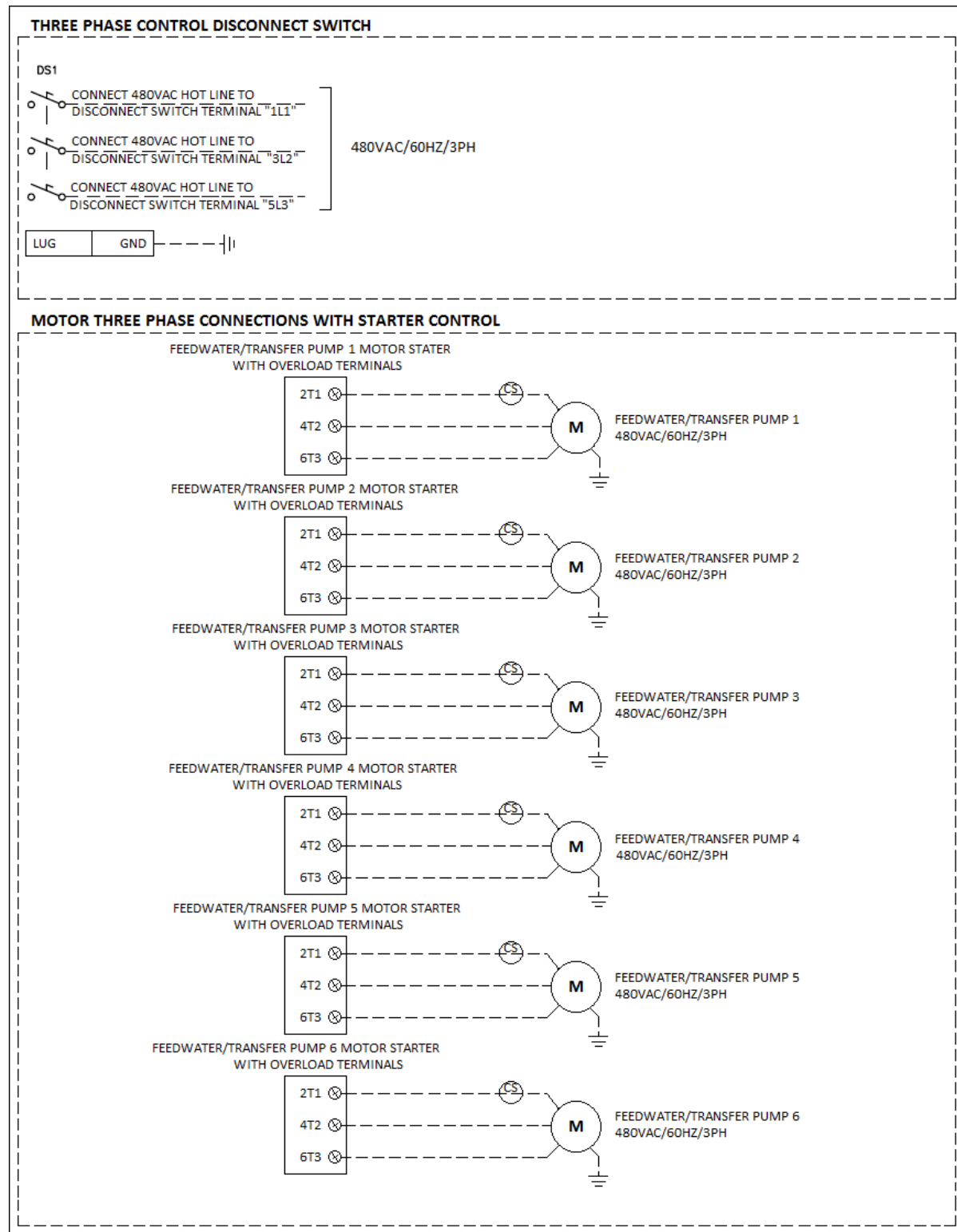
10/24/2023

Specifications

		All
Electrical characteristics	Main Power Voltage	480VAC
	Main Operating Frequency	50 – 60 HZ
	Three Phase Parts Power Voltage	208VAC 220-240VAC 460-480VAC 550-600VAC
	Component Control Operating Voltage	120VAC
	Power Consumption	HP Dependent
	SCCR (Short Circuit Current Rating)	40KA to 100KA RMS at 480AVC
Operating Environment	Operating Temperature	-10 to 131 °F [-23 to 55 °C]
	Humidity	Max. 85% with no condensation

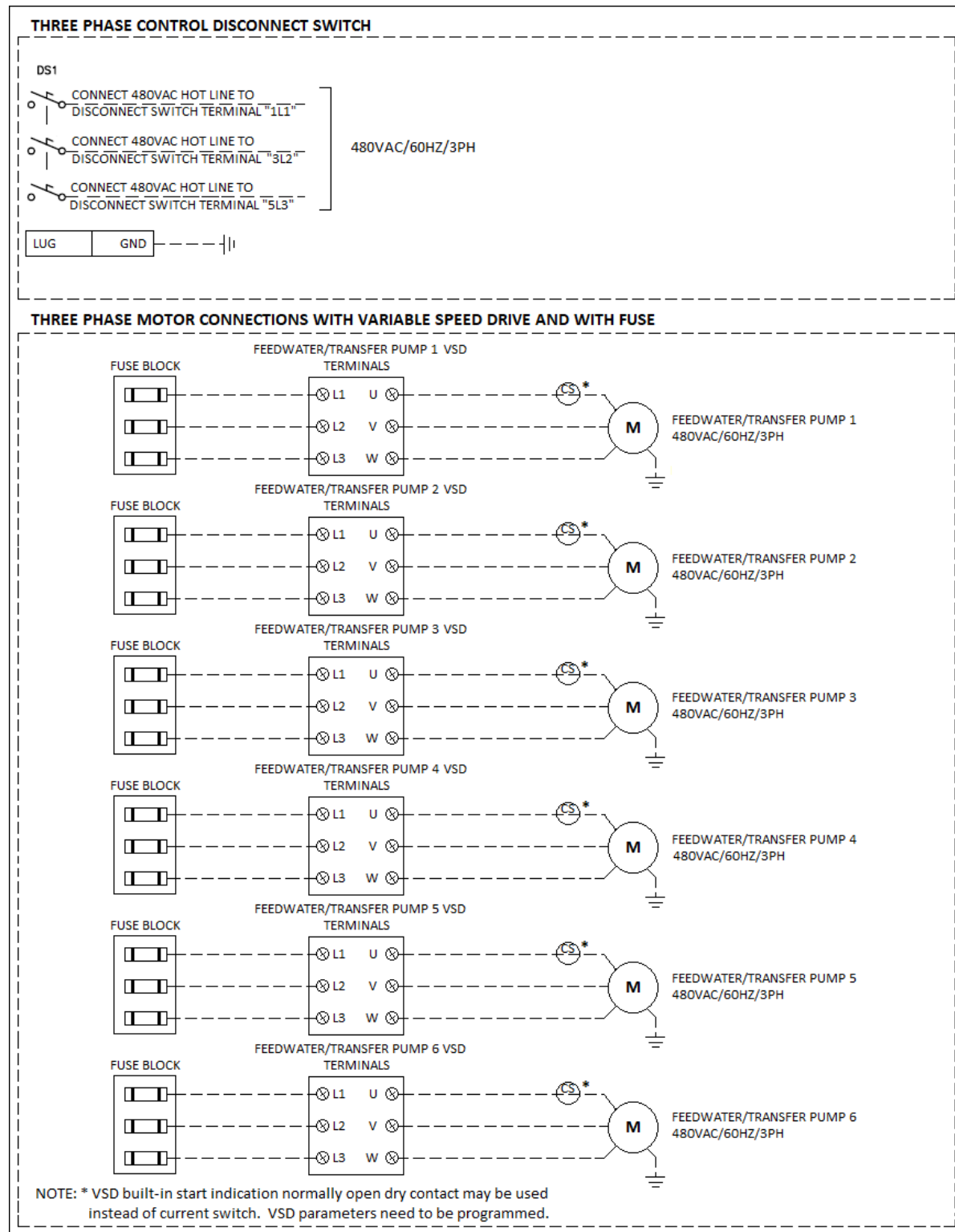
Field Connections

Three Phase Disconnect Switch and Motor Connections with Starter Control



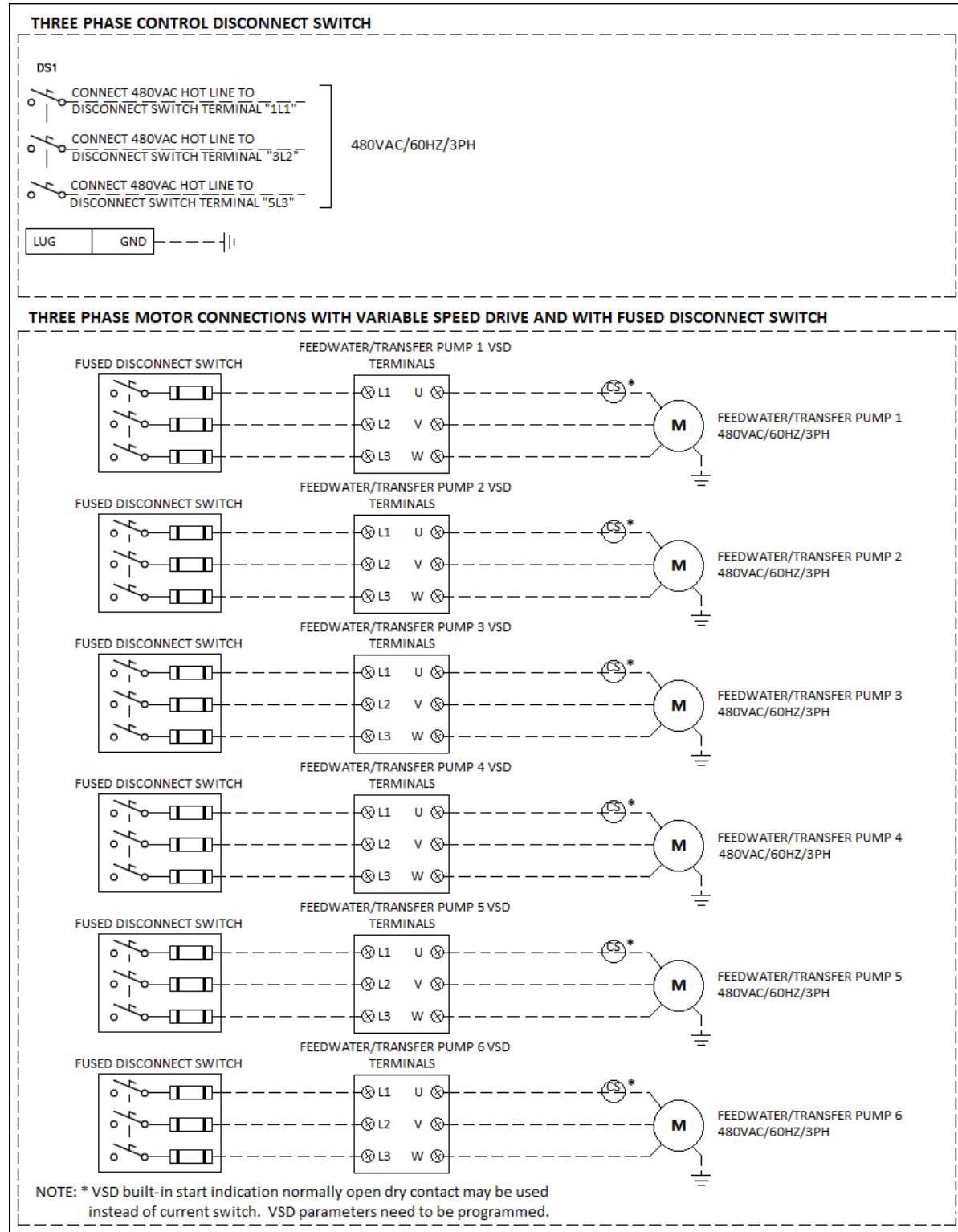
Field Connections (continued)

Three Phase Disconnect Switch and Motor Connections with Variable Speed Drive and with Fuse



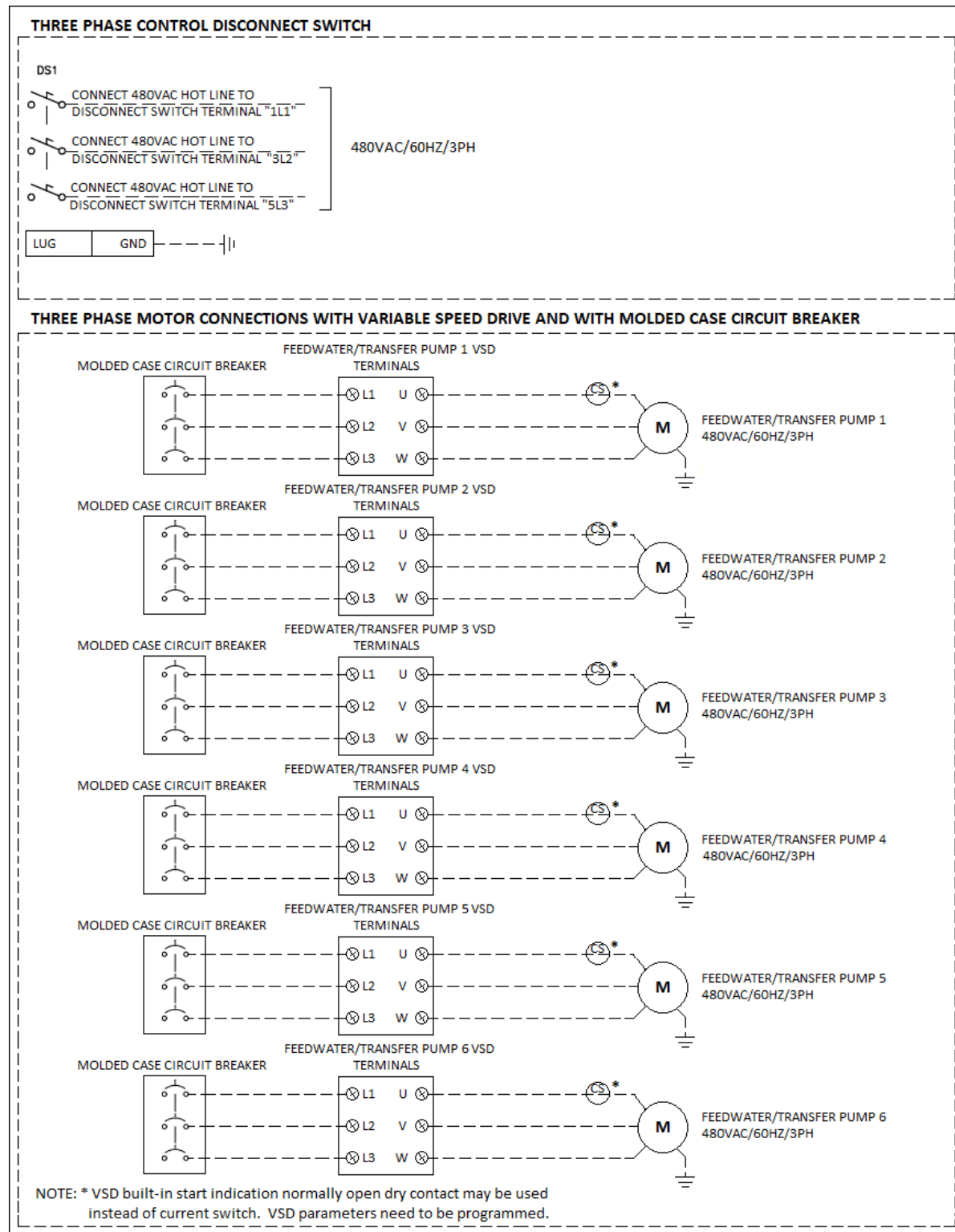
Field Connections (continued)

Three Phase Disconnect Switch and Motor Connections with Variable Speed Drive and with Fused Disconnect Switch



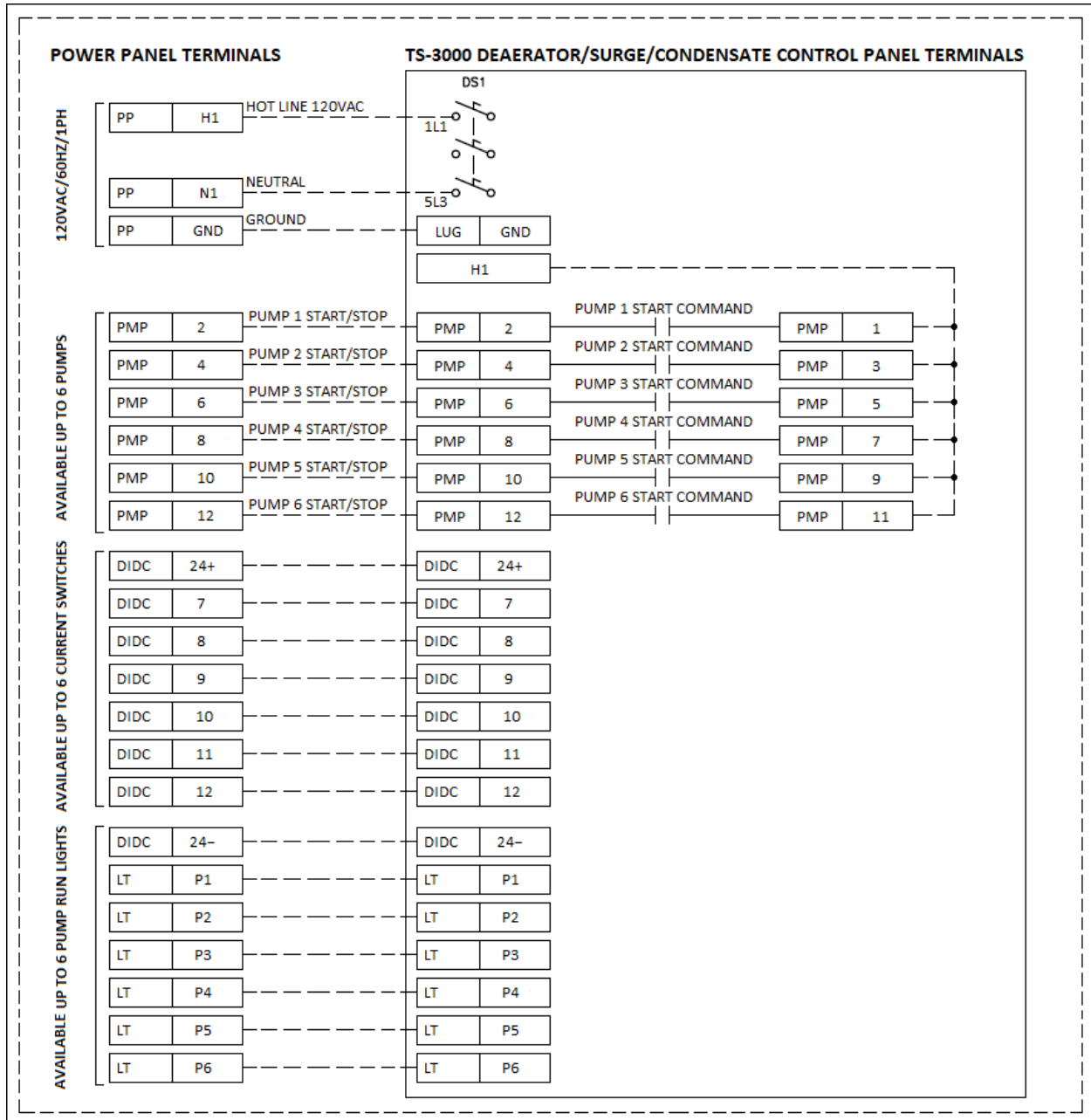
Field Connections (continued)

Three Phase Disconnect Switch and Motor Connections with Variable Speed Drive and with Molded Case Circuit Breaker



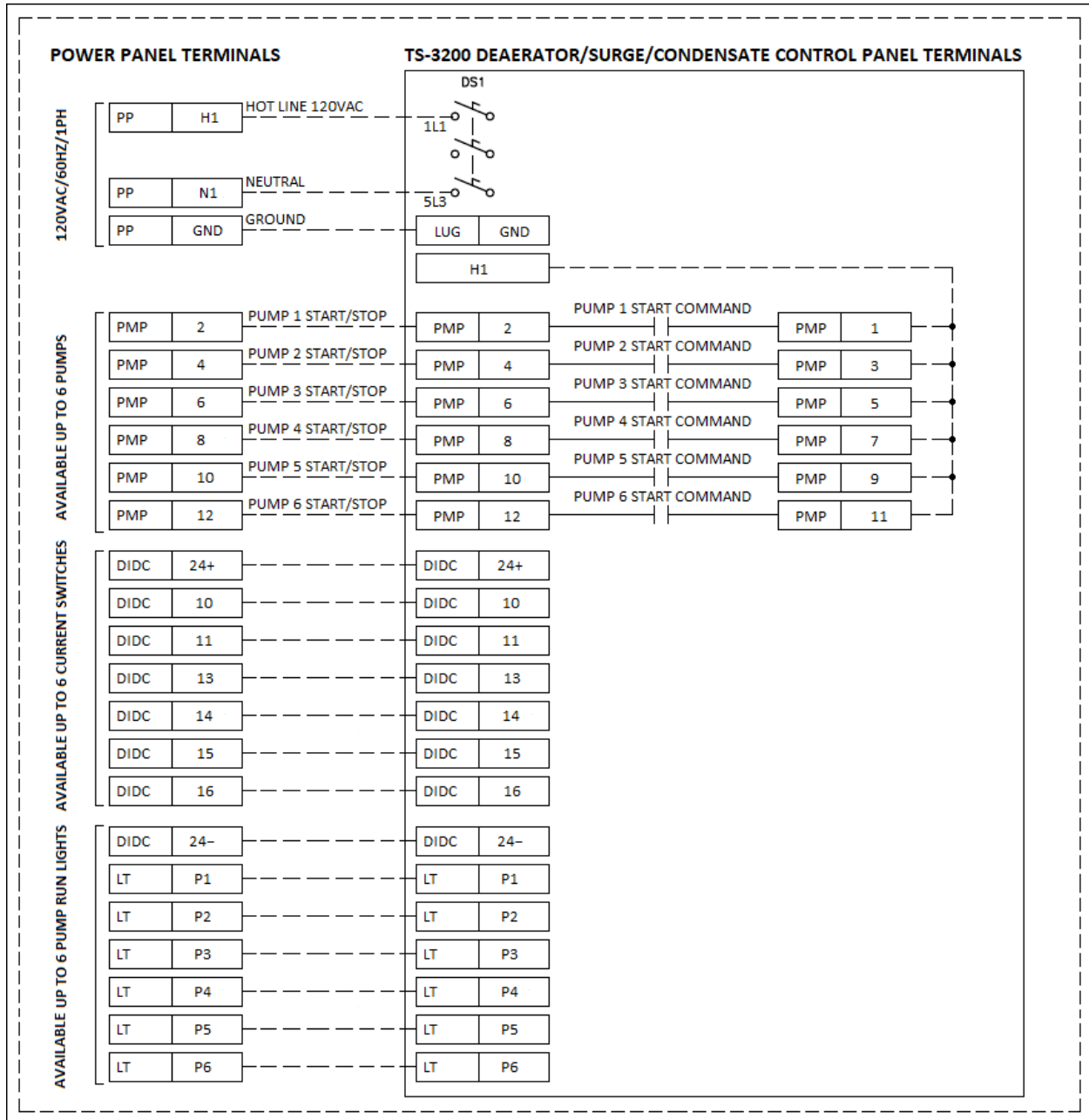
Field Connections (continued)

Connections with TS-3000 SCC Deaerator/Surge/Condensate Control Panel and with Starter Control



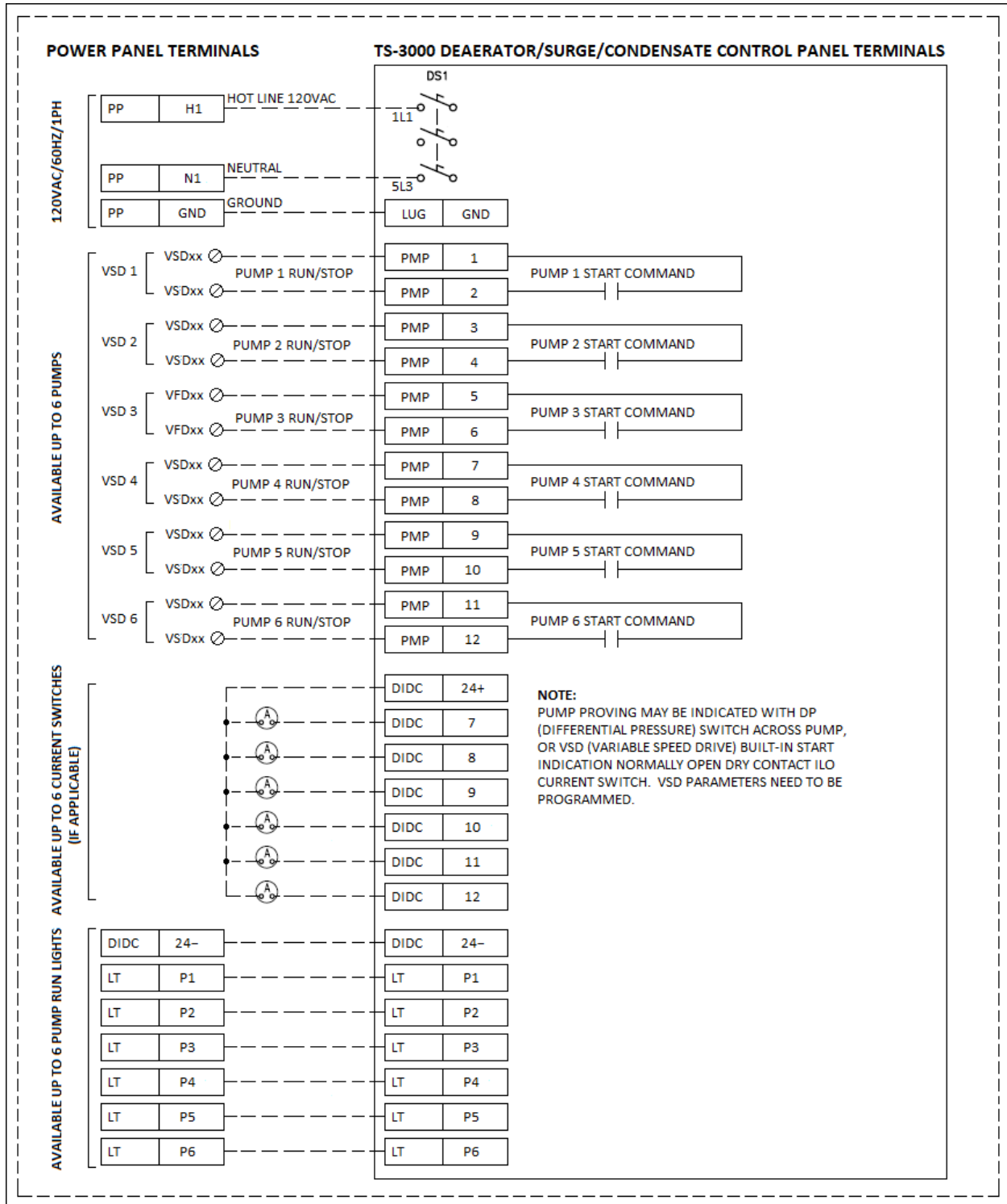
Field Connections (continued)

Connections with TS-3200 SCC Deaerator/Surge/Condensate Control Panel and with Starter Control



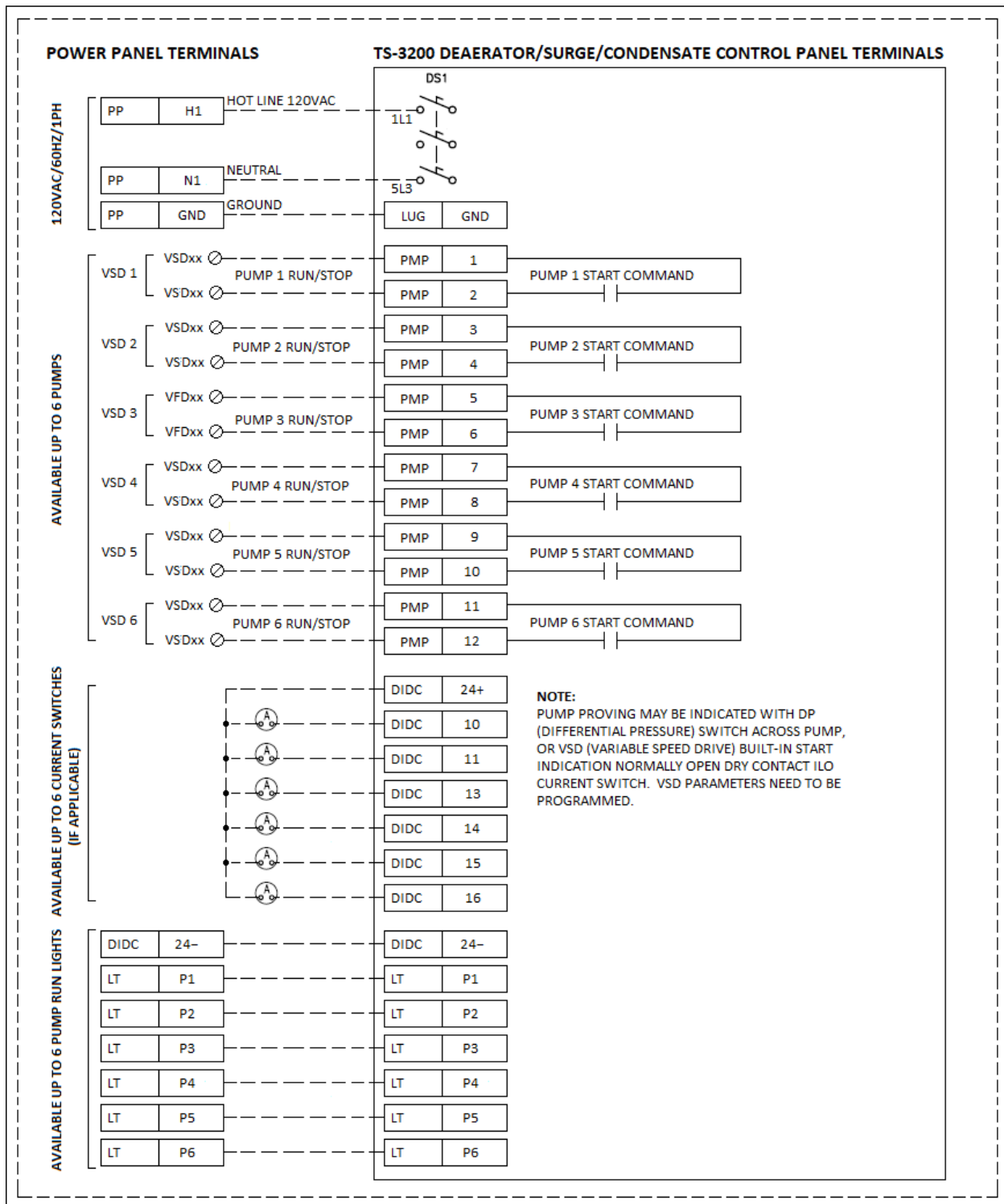
Field Connections (continued)

Connections with TS-3000 SCC Deaerator/Surge/Condensate Control Panel and with Variable Speed Drive



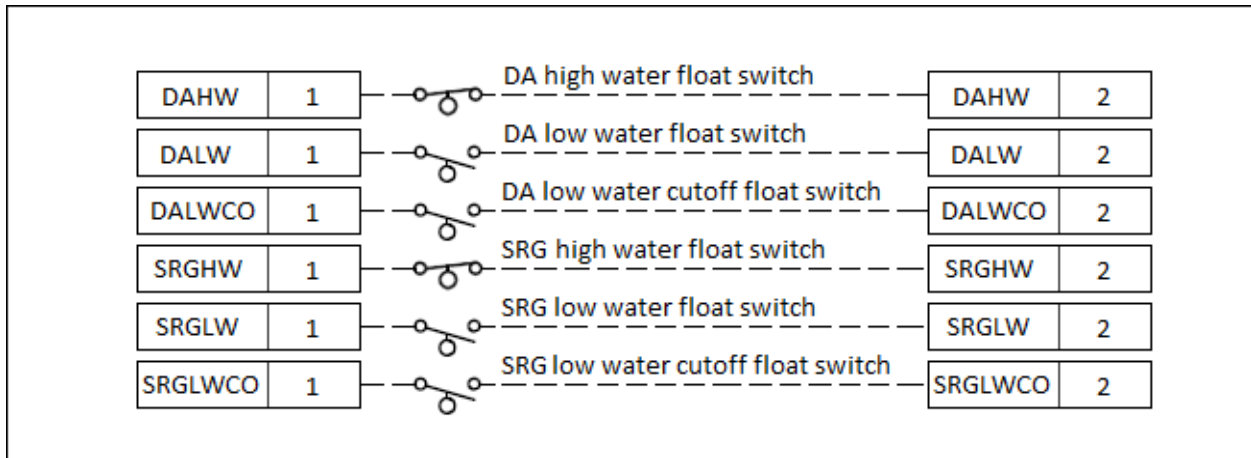
Field Connections (continued)

Connections with TS-3200 SCC Deaerator/Surge/Condensate Control Panel and with Variable Speed Drive

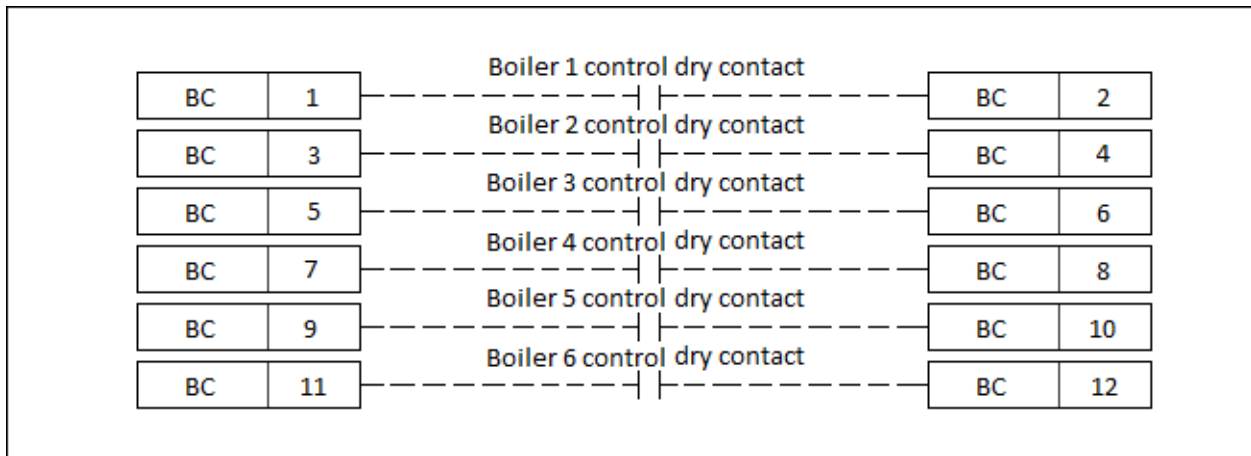


Field Connections (continued)

Connections with Float Switch Terminals

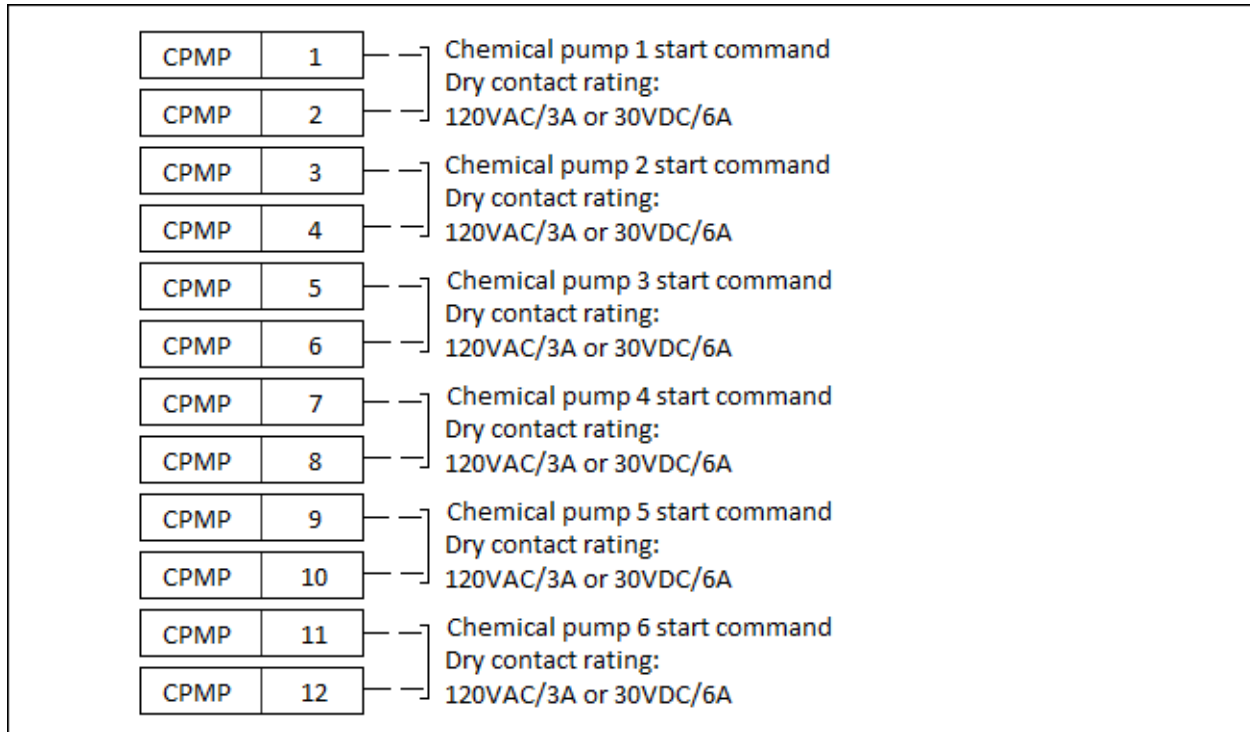


Connections with Boiler Control Terminals

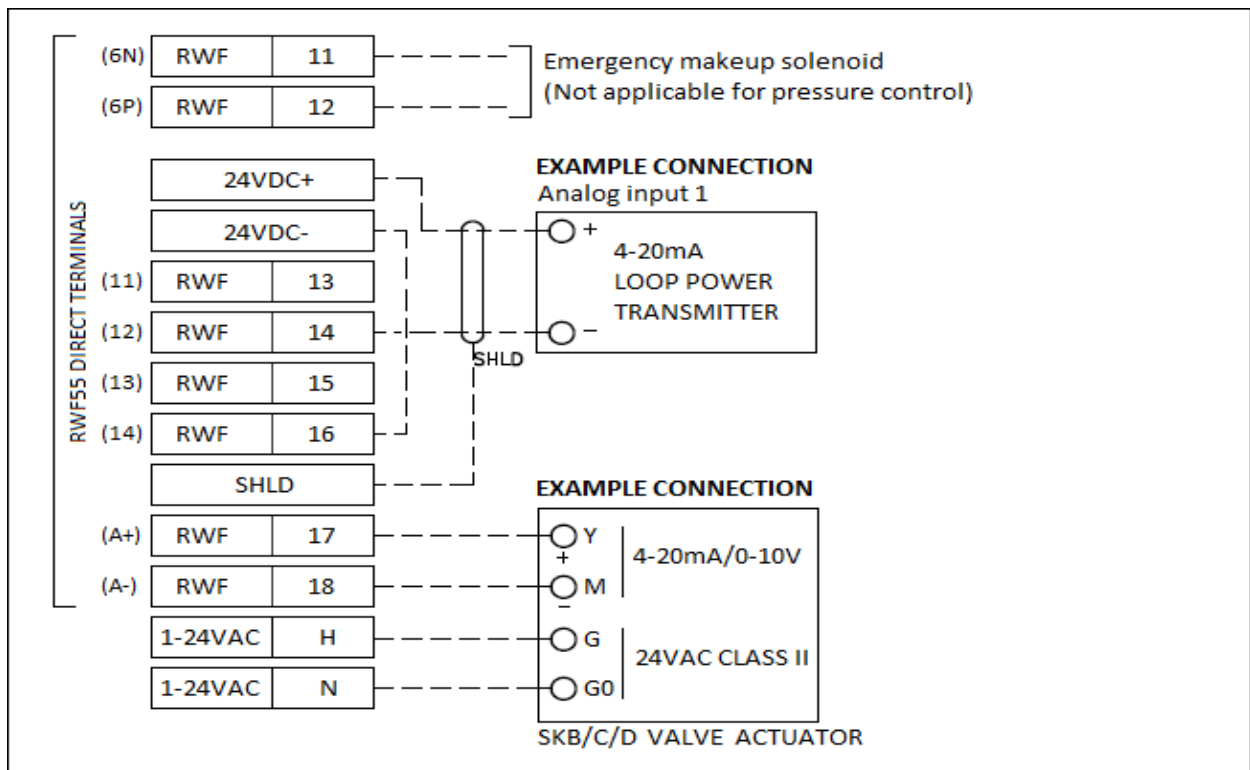


Field Connections (continued)

Connections with Chemical Pump Terminals

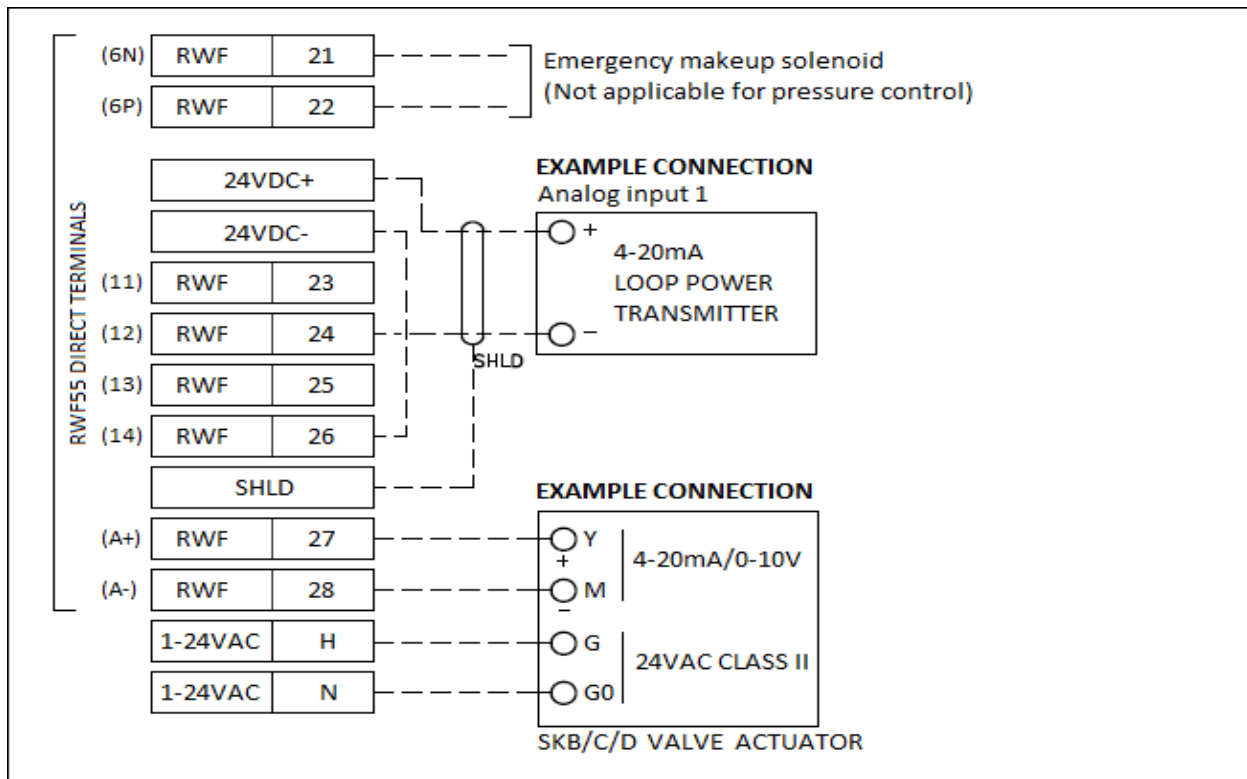


Connections with RWF55 #1 Terminals

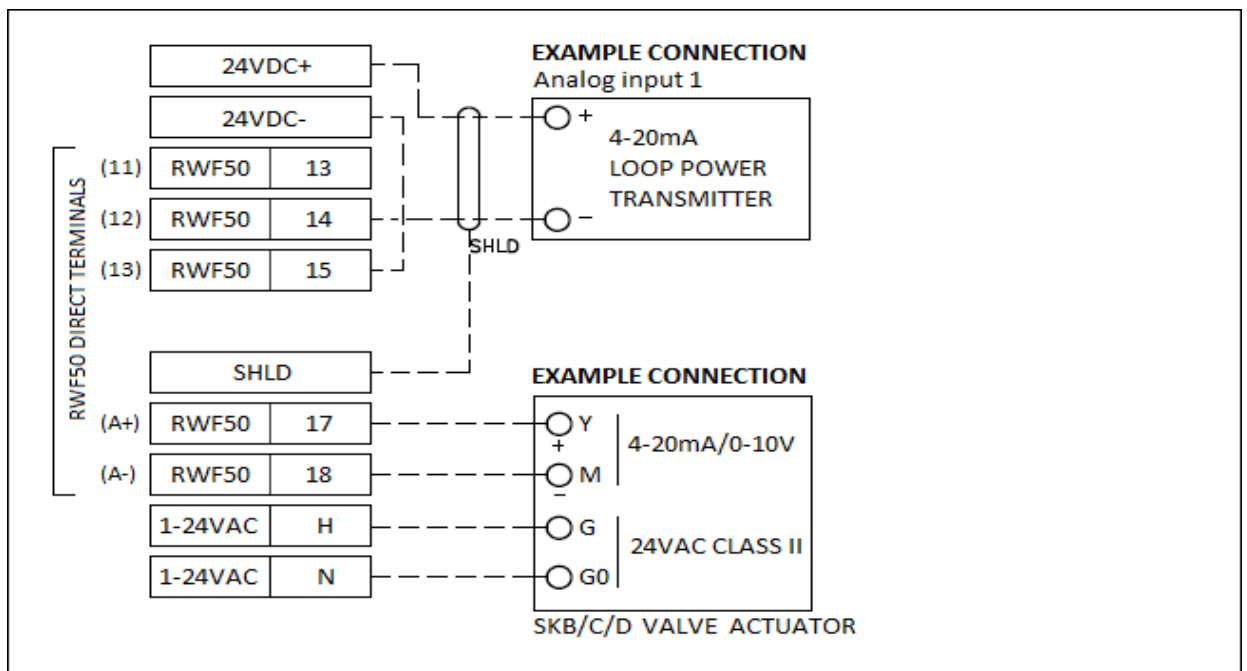


Field Connections (continued)

Connections with RWF55 #2 Terminals

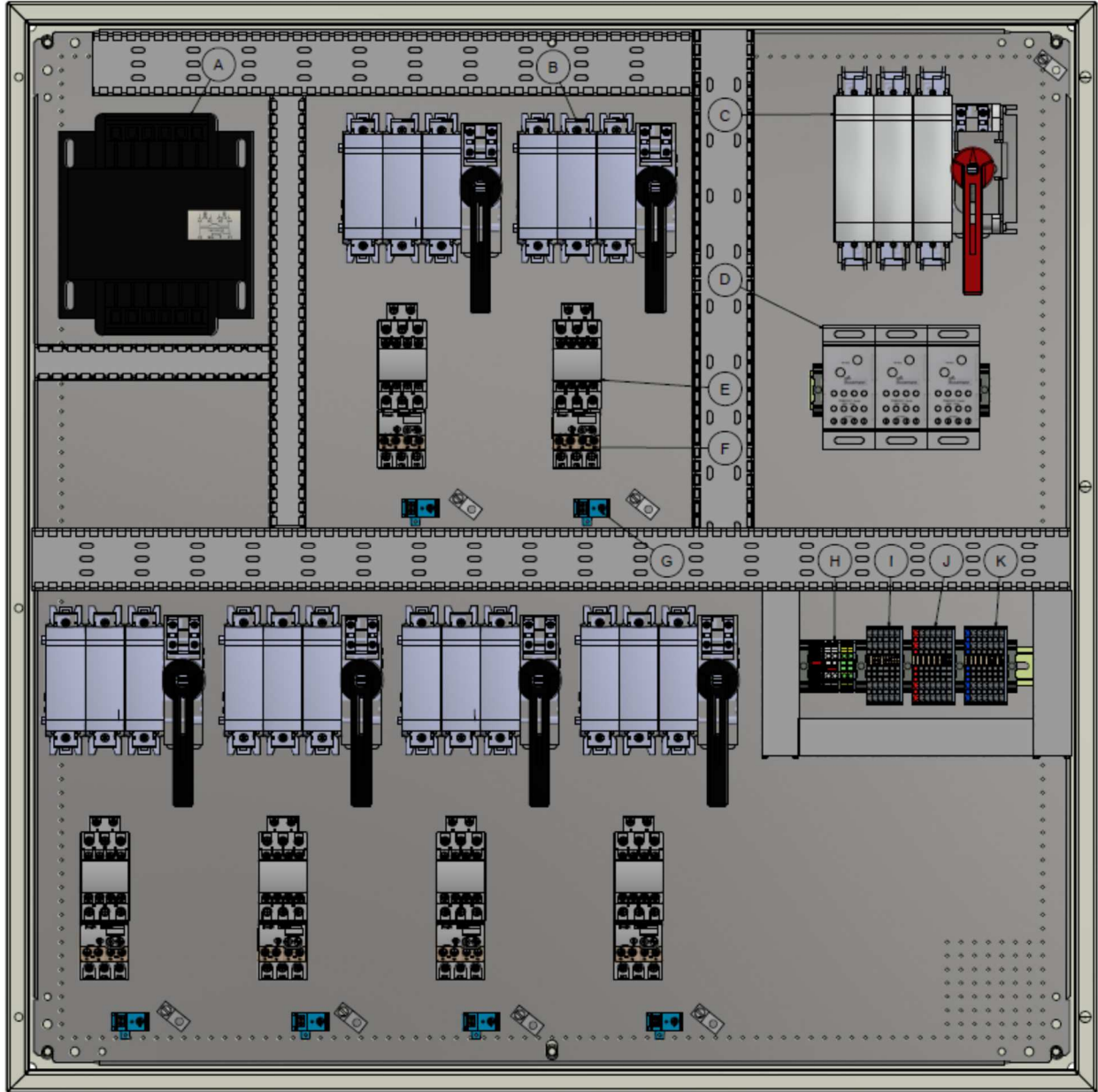


Connections with RWF50 Terminals



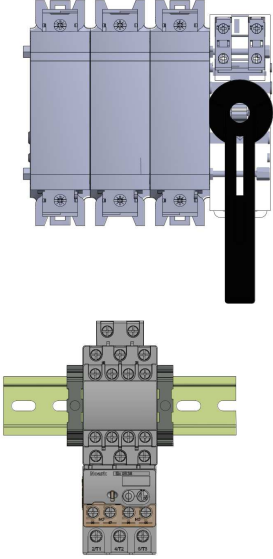
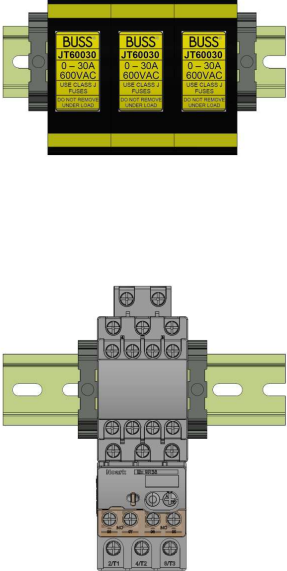
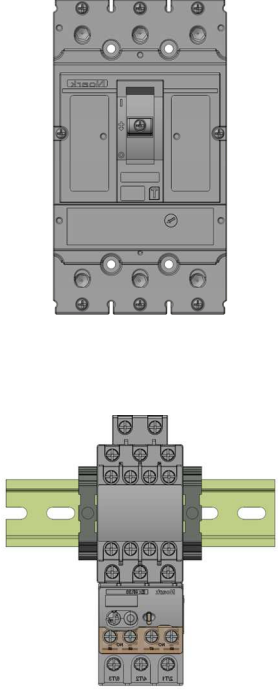
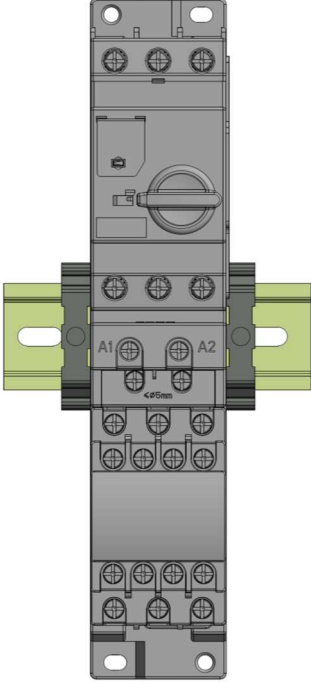
Parts Description

Example Enclosure: The enclosure below is an example of a 6-pump system with motor starters using fused disconnects as protection. Actual panel layouts will vary depending on pump control type and protection type.



A.	Control Transformer	G.	Current Switch
B.	Pump Protection	H.	Power Terminals
C.	Main Fused Disconnect with Locking Handle	I.	Pump Start/Stop Terminals
D.	Three Phase Power Distribution Blocks	J.	Current Switch Feedback Terminals
E.	Motor Contact	K.	Pump Run Light Terminals
F.	Contact Overload		

Example Protection Types: The table below shows the different types of protection offered. Examples below are shown with motor contact and overload protection. Motor contact and overload protection will only be included with motor starter options when applicable. Same protection applies for all variable speed drives without the starters.

	
<p>Fused disconnect type protection</p>	<p>Fuse and fuse holder type protection</p>
	
<p>Molded case circuit breaker type protection</p>	<p>Manual motor starter type protection (this option is only available with motor starters)</p>

Starters Only, 208VAC, all motors, up to 6 pumps for DA or Surge, and up to 2 Pumps for Condensate tanks

Feedwater Motor (HP)	0.5	Manual Motor Start Size (Amp)	4	Fuse Holder Fuse Size (Amp)	4	Disconnect Fuse Size (Amp)	4	MCCB Size (Amp)	15
Number of Pumps					2	3	4	5	6
Enclosure Size w/manual motor starters					24"x24"x10"	24"x24"x10"	24"x24"x10"	24"x24"x10"	24"x24"x10"
Enclosure Size w/fuse holders					32"x24"x10"	32"x24"x10"	32"x32"x10"	32"x32"x10"	32"x32"x10"
Enclosure Size w/fused disconnect					32"x32"x10"	32"x32"x10"	40"x32"x10"	40"x40"x12"	40"x40"x12"
Enclosure Size w/MCCB					32"x24"x10"	32"x24"x10"	32"x32"x10"	32"x32"x10"	40"x40"x12"
Feedwater Motor (HP)	0.75	Manual Motor Start Size (Amp)	6.3	Fuse Holder Fuse Size (Amp)	5.6	Disconnect Fuse Size (Amp)	5.6	MCCB Size (Amp)	15
Number of Pumps					2	3	4	5	6
Enclosure Size w/manual motor starters					24"x24"x10"	24"x24"x10"	24"x24"x10"	24"x24"x10"	24"x24"x10"
Enclosure Size w/fuse holders					32"x24"x10"	32"x24"x10"	32"x32"x10"	32"x32"x10"	32"x32"x10"
Enclosure Size w/fused disconnect					32"x32"x10"	32"x32"x10"	40"x32"x10"	40"x40"x12"	40"x40"x12"
Enclosure Size w/MCCB					32"x24"x10"	32"x24"x10"	32"x32"x10"	32"x32"x10"	40"x40"x12"
Feedwater Motor (HP)	1	Manual Motor Start Size (Amp)	10	Fuse Holder Fuse Size (Amp)	7	Disconnect Fuse Size (Amp)	7	MCCB Size (Amp)	15
Number of Pumps					2	3	4	5	6
Enclosure Size w/manual motor starters					24"x24"x10"	24"x24"x10"	24"x24"x10"	24"x24"x10"	24"x24"x10"
Enclosure Size w/fuse holders					32"x24"x10"	32"x24"x10"	32"x32"x10"	32"x32"x10"	32"x32"x10"
Enclosure Size w/fused disconnect					32"x32"x10"	32"x32"x10"	40"x32"x10"	40"x40"x12"	40"x40"x12"
Enclosure Size w/MCCB					32"x24"x10"	32"x24"x10"	32"x32"x10"	32"x32"x10"	40"x40"x12"
Feedwater Motor (HP)	1.5	Manual Motor Start Size (Amp)	10	Fuse Holder Fuse Size (Amp)	10	Disconnect Fuse Size (Amp)	10	MCCB Size (Amp)	20
Number of Pumps					2	3	4	5	6
Enclosure Size w/manual motor starters					24"x24"x10"	24"x24"x10"	24"x24"x10"	24"x24"x10"	24"x24"x10"
Enclosure Size w/fuse holders					32"x24"x10"	32"x24"x10"	32"x32"x10"	32"x32"x10"	32"x32"x10"
Enclosure Size w/fused disconnect					32"x32"x10"	32"x32"x10"	40"x32"x10"	40"x40"x12"	40"x40"x12"
Enclosure Size w/MCCB					32"x24"x10"	32"x24"x10"	32"x32"x10"	32"x32"x10"	40"x40"x12"

Starters Only, 208VAC, all motors, up to 6 pumps for DA or Surge, and up to 2 Pumps for Condensate tanks (continued)

Feedwater Motor (HP)	2	Manual Motor Start Size (Amp)	14	Fuse Holder Fuse Size (Amp)	12	Disconnect Fuse Size (Amp)	12	MCCB Size (Amp)	20
Number of Pumps					2	3	4	5	6
Enclosure Size w/manual motor starters					24"x24"x10"	24"x24"x10"	24"x24"x10"	24"x24"x10"	24"x24"x10"
Enclosure Size w/fuse holders					32"x24"x10"	32"x24"x10"	32"x32"x10"	32"x32"x10"	32"x32"x10"
Enclosure Size w/fused disconnect					32"x32"x10"	32"x32"x10"	40"x32"x10"	40"x40"x12"	40"x40"x12"
Enclosure Size w/MCCB					32"x24"x10"	32"x24"x10"	32"x32"x10"	32"x32"x10"	40"x40"x12"
Feedwater Motor (HP)	3	Manual Motor Start Size (Amp)	18	Fuse Holder Fuse Size (Amp)	17.5	Disconnect Fuse Size (Amp)	17.5	MCCB Size (Amp)	30
Number of Pumps					2	3	4	5	6
Enclosure Size w/manual motor starters					24"x24"x10"	24"x24"x10"	24"x24"x10"	32"x24"x10"	32"x24"x10"
Enclosure Size w/fuse holders					32"x24"x10"	32"x24"x10"	32"x32"x10"	32"x32"x10"	32"x32"x10"
Enclosure Size w/fused disconnect					32"x32"x10"	32"x32"x10"	40"x32"x10"	40"x40"x12"	40"x40"x12"
Enclosure Size w/MCCB					32"x24"x10"	32"x24"x10"	32"x32"x10"	32"x32"x10"	40"x40"x12"
Feedwater Motor (HP)	5	Manual Motor Start Size (Amp)	25	Fuse Holder Fuse Size (Amp)	25	Disconnect Fuse Size (Amp)	25	MCCB Size (Amp)	45
Number of Pumps					2	3	4	5	6
Enclosure Size w/manual motor starters					24"x24"x10"	24"x24"x10"	24"x24"x10"	32"x24"x10"	32"x24"x10"
Enclosure Size w/fuse holders					32"x24"x10"	32"x32"x10"	32"x32"x10"	32"x32"x10"	40"x40"x12"
Enclosure Size w/fused disconnect					32"x32"x10"	32"x32"x10"	40"x40"x12"	40"x40"x12"	40"x40"x12"
Enclosure Size w/MCCB					32"x24"x10"	32"x32"x10"	32"x32"x10"	32"x32"x10"	40"x40"x12"
Feedwater Motor (HP)	7.5	Manual Motor Start Size (Amp)	40	Fuse Holder Fuse Size (Amp)	40	Disconnect Fuse Size (Amp)	40	MCCB Size (Amp)	70
Number of Pumps					2	3	4	5	6
Enclosure Size w/manual motor starters					24"x24"x10"	24"x24"x10"	32"x32"x10"	32"x32"x10"	32"x32"x10"
Enclosure Size w/fuse holders					32"x24"x10"	32"x32"x10"	40"x40"x12"	40"x40"x12"	40"x40"x12"
Enclosure Size w/fused disconnect					40"x32"x10"	40"x32"x10"	47"x40"x12"	47"x40"x12"	47"x40"x12"
Enclosure Size w/MCCB					32"x24"x10"	32"x32"x10"	32"x32"x10"	32"x32"x10"	40"x40"x12"

Starters Only, 208VAC, all motors, up to 6 pumps for DA or Surge, and up to 2 Pumps for Condensate tanks (continued)

Feedwater Motor (HP)	10	Manual Motor Start Size (Amp)	50	Fuse Holder Fuse Size (Amp)	50	Disconnect Fuse Size (Amp)	50	MCCB Size (Amp)	80
Number of Pumps					2	3	4	5	6
Enclosure Size w/manual motor starters					24"x24"x10"	32"x32"x10"	32"x32"x10"	32"x32"x10"	32"x32"x10"
Enclosure Size w/fuse holders					32"x24"x10"	32"x32"x10"	40"x40"x12"	40"x40"x12"	47"x40"x12"
Enclosure Size w/fused disconnect					40"x32"x10"	40"x40"x12"	47"x40"x12"	47"x40"x12"	47"x40"x12"
Enclosure Size w/MCCB					32"x32"x10"	32"x32"x10"	32"x32"x10"	40"x40"x12"	40"x40"x12"
Feedwater Motor (HP)	15	Manual Motor Start Size (Amp)	80	Fuse Holder Fuse Size (Amp)	70	Disconnect Fuse Size (Amp)	70	MCCB Size (Amp)	125
Number of Pumps					2	3	4	5	6
Enclosure Size w/manual motor starters					32"x24"x10"	32"x32"x10"	40"x40"x12"	40"x40"x12"	40"x40"x12"
Enclosure Size w/fuse holders					40"x32"x10"	40"x40"x12"	Multiple Panels	Multiple Panels	Multiple Panels
Enclosure Size w/fused disconnect					40"x32"x10"	40"x40"x12"	47"x40"x12"	47"x40"x12"	47"x40"x12"
Enclosure Size w/MCCB					40"x32"x10"	40"x32"x10"	40"x32"x10"	40"x40"x12"	40"x40"x12"
Feedwater Motor (HP)	20	Manual Motor Start Size (Amp)	N/A	Fuse Holder Fuse Size (Amp)	90	Disconnect Fuse Size (Amp)	90	MCCB Size (Amp)	150
Number of Pumps					2	3	4	5	6
Enclosure Size w/manual motor starters					N/A	N/A	N/A	N/A	N/A
Enclosure Size w/fuse holders					40"x32"x10"	40"x40"x12"	Multiple Panels	Multiple Panels	Multiple Panels
Enclosure Size w/fused disconnect					40"x32"x10"	40"x40"x12"	47"x40"x12"	47"x40"x12"	47"x40"x12"
Enclosure Size w/MCCB					40"x32"x10"	40"x32"x10"	40"x32"x10"	40"x40"x12"	40"x40"x12"
Feedwater Motor (HP)	25	Manual Motor Start Size (Amp)	N/A	Fuse Holder Fuse Size (Amp)	125	Disconnect Fuse Size (Amp)	125	MCCB Size (Amp)	200
Number of Pumps					2	3	4	5	6
Enclosure Size w/manual motor starters					N/A	N/A	N/A	N/A	N/A
Enclosure Size w/fuse holders					40"x40"x12"	Multiple Panels	Multiple Panels	Multiple Panels	Multiple Panels
Enclosure Size w/fused disconnect					47"x40"x12"	47"x40"x12"	Multiple Panels	Multiple Panels	Multiple Panels
Enclosure Size w/MCCB					40"x40"x12"	40"x40"x12"	Multiple Panels	Multiple Panels	Multiple Panels

Starters Only, 208VAC, all motors, up to 6 pumps for DA or Surge, and up to 2 Pumps for Condensate tanks (continued)

Feedwater Motor (HP)	30	Manual Motor Start Size (Amp)	N/A	Fuse Holder Fuse Size (Amp)	150	Disconnect Fuse Size (Amp)	150	MCCB Size (Amp)	225
Number of Pumps					2	3	4	5	6
Enclosure Size w/manual motor starters					N/A	N/A	N/A	N/A	N/A
Enclosure Size w/fuse holders					47"x40"x12"	Multiple Panels	Multiple Panels	Multiple Panels	Multiple Panels
Enclosure Size w/fused disconnect					47"x40"x12"	47"x40"x12"	Multiple Panels	Multiple Panels	Multiple Panels
Enclosure Size w/MCCB					40"x40"x12"	Multiple Panels	Multiple Panels	Multiple Panels	Multiple Panels
Feedwater Motor (HP)	40	Manual Motor Start Size (Amp)	N/A	Fuse Holder Fuse Size (Amp)	175	Disconnect Fuse Size (Amp)	175	MCCB Size (Amp)	N/A
Number of Pumps					2	3	4	5	6
Enclosure Size w/manual motor starters					N/A	N/A	N/A	N/A	N/A
Enclosure Size w/fuse holders					47"x40"x12"	Multiple Panels	Multiple Panels	Multiple Panels	Multiple Panels
Enclosure Size w/fused disconnect					47"x40"x12"	Multiple Panels	Multiple Panels	Multiple Panels	Multiple Panels
Enclosure Size w/MCCB					N/A	N/A	N/A	N/A	N/A
Feedwater Motor (HP)	50	Manual Motor Start Size (Amp)	N/A	Fuse Holder Fuse Size (Amp)	250	Disconnect Fuse Size (Amp)	N/A	MCCB Size (Amp)	N/A
Number of Pumps					2	3	4	5	6
Enclosure Size w/manual motor starters					N/A	N/A	N/A	N/A	N/A
Enclosure Size w/fuse holders					47"x40"x12"	Multiple Panels	Multiple Panels	Multiple Panels	Multiple Panels
Enclosure Size w/fused disconnect					N/A	N/A	N/A	N/A	N/A
Enclosure Size w/MCCB					N/A	N/A	N/A	N/A	N/A

Starters Only, 220VAC, all motors, up to 6 pumps for DA or Surge, and up to 2 Pumps for Condensate tanks

Feedwater Motor (HP)	0.5	Manual Motor Start Size (Amp)	4	Fuse Holder Fuse Size (Amp)	3.5	Disconnect Fuse Size (Amp)	3.5	MCCB Size (Amp)	15
Number of Pumps					2	3	4	5	6
Enclosure Size w/manual motor starters					24"x24"x10"	24"x24"x10"	24"x24"x10"	24"x24"x10"	24"x24"x10"
Enclosure Size w/fuse holders					32"x24"x10"	32"x24"x10"	32"x32"x10"	32"x32"x10"	32"x32"x10"
Enclosure Size w/fused disconnect					32"x32"x10"	32"x32"x10"	40"x32"x10"	40"x40"x12"	40"x40"x12"
Enclosure Size w/MCCB					32"x24"x10"	32"x24"x10"	32"x32"x10"	32"x32"x10"	40"x40"x12"
Feedwater Motor (HP)	0.75	Manual Motor Start Size (Amp)	6.3	Fuse Holder Fuse Size (Amp)	5	Disconnect Fuse Size (Amp)	5	MCCB Size (Amp)	15
Number of Pumps					2	3	4	5	6
Enclosure Size w/manual motor starters					24"x24"x10"	24"x24"x10"	24"x24"x10"	24"x24"x10"	24"x24"x10"
Enclosure Size w/fuse holders					32"x24"x10"	32"x24"x10"	32"x32"x10"	32"x32"x10"	32"x32"x10"
Enclosure Size w/fused disconnect					32"x32"x10"	32"x32"x10"	40"x32"x10"	40"x40"x12"	40"x40"x12"
Enclosure Size w/MCCB					32"x24"x10"	32"x24"x10"	32"x32"x10"	32"x32"x10"	40"x40"x12"
Feedwater Motor (HP)	1	Manual Motor Start Size (Amp)	6.3	Fuse Holder Fuse Size (Amp)	7	Disconnect Fuse Size (Amp)	7	MCCB Size (Amp)	15
Number of Pumps					2	3	4	5	6
Enclosure Size w/manual motor starters					24"x24"x10"	24"x24"x10"	24"x24"x10"	24"x24"x10"	24"x24"x10"
Enclosure Size w/fuse holders					32"x24"x10"	32"x24"x10"	32"x32"x10"	32"x32"x10"	32"x32"x10"
Enclosure Size w/fused disconnect					32"x32"x10"	32"x32"x10"	40"x32"x10"	40"x40"x12"	40"x40"x12"
Enclosure Size w/MCCB					32"x24"x10"	32"x24"x10"	32"x32"x10"	32"x32"x10"	40"x40"x12"
Feedwater Motor (HP)	1.5	Manual Motor Start Size (Amp)	10	Fuse Holder Fuse Size (Amp)	9	Disconnect Fuse Size (Amp)	9	MCCB Size (Amp)	15
Number of Pumps					2	3	4	5	6
Enclosure Size w/manual motor starters					24"x24"x10"	24"x24"x10"	24"x24"x10"	24"x24"x10"	24"x24"x10"
Enclosure Size w/fuse holders					32"x24"x10"	32"x24"x10"	32"x32"x10"	32"x32"x10"	32"x32"x10"
Enclosure Size w/fused disconnect					32"x32"x10"	32"x32"x10"	40"x32"x10"	40"x40"x12"	40"x40"x12"
Enclosure Size w/MCCB					32"x24"x10"	32"x24"x10"	32"x32"x10"	32"x32"x10"	40"x40"x12"

Starters Only, 220VAC, all motors, up to 6 pumps for DA or Surge, and up to 2 Pumps for Condensate tanks (continued)

Feedwater Motor (HP)	2	Manual Motor Start Size (Amp)	14	Fuse Holder Fuse Size (Amp)	12	Disconnect Fuse Size (Amp)	12	MCCB Size (Amp)	20
Number of Pumps					2	3	4	5	6
Enclosure Size w/manual motor starters					24"x24"x10"	24"x24"x10"	24"x24"x10"	24"x24"x10"	24"x24"x10"
Enclosure Size w/fuse holders					32"x24"x10"	32"x24"x10"	32"x32"x10"	32"x32"x10"	32"x32"x10"
Enclosure Size w/fused disconnect					32"x32"x10"	32"x32"x10"	40"x32"x10"	40"x40"x12"	40"x40"x12"
Enclosure Size w/MCCB					32"x24"x10"	32"x24"x10"	32"x32"x10"	32"x32"x10"	40"x40"x12"
Feedwater Motor (HP)	3	Manual Motor Start Size (Amp)	18	Fuse Holder Fuse Size (Amp)	15	Disconnect Fuse Size (Amp)	15	MCCB Size (Amp)	25
Number of Pumps					2	3	4	5	6
Enclosure Size w/manual motor starters					24"x24"x10"	24"x24"x10"	24"x24"x10"	24"x24"x10"	32"x24"x10"
Enclosure Size w/fuse holders					32"x24"x10"	32"x24"x10"	32"x32"x10"	32"x32"x10"	32"x32"x10"
Enclosure Size w/fused disconnect					32"x32"x10"	32"x32"x10"	40"x32"x10"	40"x40"x12"	40"x40"x12"
Enclosure Size w/MCCB					32"x24"x10"	32"x24"x10"	32"x32"x10"	32"x32"x10"	40"x40"x12"
Feedwater Motor (HP)	5	Manual Motor Start Size (Amp)	25	Fuse Holder Fuse Size (Amp)	25	Disconnect Fuse Size (Amp)	25	MCCB Size (Amp)	40
Number of Pumps					2	3	4	5	6
Enclosure Size w/manual motor starters					24"x24"x10"	24"x24"x10"	24"x24"x10"	32"x24"x10"	32"x32"x10"
Enclosure Size w/fuse holders					32"x24"x10"	32"x24"x10"	32"x32"x10"	32"x32"x10"	40"x40"x12"
Enclosure Size w/fused disconnect					32"x32"x10"	32"x32"x10"	40"x40"x12"	40"x40"x12"	40"x40"x12"
Enclosure Size w/MCCB					32"x24"x10"	32"x32"x10"	32"x32"x10"	32"x32"x10"	40"x40"x12"
Feedwater Motor (HP)	7.5	Manual Motor Start Size (Amp)	32	Fuse Holder Fuse Size (Amp)	35	Disconnect Fuse Size (Amp)	35	MCCB Size (Amp)	60
Number of Pumps					2	3	4	5	6
Enclosure Size w/manual motor starters					24"x24"x10"	24"x24"x10"	24"x24"x10"	32"x32"x10"	32"x32"x10"
Enclosure Size w/fuse holders					32"x24"x10"	32"x32"x10"	40"x40"x12"	40"x40"x12"	40"x40"x12"
Enclosure Size w/fused disconnect					40"x32"x10"	40"x32"x10"	47"x40"x12"	47"x40"x12"	47"x40"x12"
Enclosure Size w/MCCB					32"x24"x10"	32"x32"x10"	32"x32"x10"	32"x32"x10"	40"x40"x12"

Starters Only, 220VAC, all motors, up to 6 pumps for DA or Surge, and up to 2 Pumps for Condensate tanks (continued)

Feedwater Motor (HP)	10	Manual Motor Start Size (Amp)	50	Fuse Holder Fuse Size (Amp)	45	Disconnect Fuse Size (Amp)	45	MCCB Size (Amp)	70
Number of Pumps					2	3	4	5	6
Enclosure Size w/manual motor starters					24"x24"x10"	24"x24"x10"	32"x32"x10"	32"x32"x10"	32"x32"x10"
Enclosure Size w/fuse holders					32"x24"x10"	32"x32"x10"	40"x40"x12"	40"x40"x12"	40"x40"x12"
Enclosure Size w/fused disconnect					40"x32"x10"	40"x40"x12"	47"x40"x12"	47"x40"x12"	47"x40"x12"
Enclosure Size w/MCCB					32"x32"x10"	32"x32"x10"	32"x32"x10"	32"x32"x10"	40"x40"x12"
Feedwater Motor (HP)	15	Manual Motor Start Size (Amp)	63	Fuse Holder Fuse Size (Amp)	70	Disconnect Fuse Size (Amp)	70	MCCB Size (Amp)	125
Number of Pumps					2	3	4	5	6
Enclosure Size w/manual motor starters					32"x24"x10"	32"x32"x10"	32"x32"x10"	40"x40"x12"	40"x40"x12"
Enclosure Size w/fuse holders					40"x32"x10"	40"x40"x12"	40"x40"x12"	Multiple Panels	Multiple Panels
Enclosure Size w/fused disconnect					40"x32"x10"	40"x40"x12"	47"x40"x12"	47"x40"x12"	47"x40"x12"
Enclosure Size w/MCCB					40"x32"x10"	40"x32"x10"	40"x32"x10"	40"x40"x12"	40"x40"x12"
Feedwater Motor (HP)	20	Manual Motor Start Size (Amp)	80	Fuse Holder Fuse Size (Amp)	80	Disconnect Fuse Size (Amp)	80	MCCB Size (Amp)	150
Number of Pumps					2	3	4	5	6
Enclosure Size w/manual motor starters					32"x24"x10"	32"x32"x10"	40"x40"x12"	40"x40"x12"	40"x40"x12"
Enclosure Size w/fuse holders					40"x32"x10"	40"x40"x12"	Multiple Panels	Multiple Panels	Multiple Panels
Enclosure Size w/fused disconnect					40"x32"x10"	40"x40"x12"	47"x40"x12"	47"x40"x12"	47"x40"x12"
Enclosure Size w/MCCB					40"x32"x10"	40"x32"x10"	40"x32"x10"	40"x40"x12"	Multiple Panels
Feedwater Motor (HP)	25	Manual Motor Start Size (Amp)	N/A	Fuse Holder Fuse Size (Amp)	100	Disconnect Fuse Size (Amp)	100	MCCB Size (Amp)	175
Number of Pumps					2	3	4	5	6
Enclosure Size w/manual motor starters					N/A	N/A	N/A	N/A	N/A
Enclosure Size w/fuse holders					40"x32"x10"	40"x40"x12"	Multiple Panels	Multiple Panels	Multiple Panels
Enclosure Size w/fused disconnect					40"x32"x10"	40"x40"x12"	Multiple Panels	Multiple Panels	Multiple Panels
Enclosure Size w/MCCB					40"x40"x12"	40"x40"x12"	40"x40"x12"	Multiple Panels	Multiple Panels

Starters Only, 220VAC, all motors, up to 6 pumps for DA or Surge, and up to 2 Pumps for Condensate tanks (continued)

Feedwater Motor (HP)	30	Manual Motor Start Size (Amp)	N/A	Fuse Holder Fuse Size (Amp)	125	Disconnect Fuse Size (Amp)	125	MCCB Size (Amp)	225
Number of Pumps					2	3	4	5	6
Enclosure Size w/manual motor starters					N/A	N/A	N/A	N/A	N/A
Enclosure Size w/fuse holders					47"x40"x12"	Multiple Panels	Multiple Panels	Multiple Panels	Multiple Panels
Enclosure Size w/fused disconnect					47"x40"x12"	47"x40"x12"	Multiple Panels	Multiple Panels	Multiple Panels
Enclosure Size w/MCCB					40"x40"x12"	40"x40"x12"	Multiple Panels	Multiple Panels	Multiple Panels
Feedwater Motor (HP)	40	Manual Motor Start Size (Amp)	N/A	Fuse Holder Fuse Size (Amp)	175	Disconnect Fuse Size (Amp)	175	MCCB Size (Amp)	N/A
Number of Pumps					2	3	4	5	6
Enclosure Size w/manual motor starters					N/A	N/A	N/A	N/A	N/A
Enclosure Size w/fuse holders					47"x40"x12"	Multiple Panels	Multiple Panels	Multiple Panels	Multiple Panels
Enclosure Size w/fused disconnect					47"x40"x12"	47"x40"x12"	Multiple Panels	Multiple Panels	Multiple Panels
Enclosure Size w/MCCB					N/A	N/A	N/A	N/A	N/A
Feedwater Motor (HP)	50	Manual Motor Start Size (Amp)	N/A	Fuse Holder Fuse Size (Amp)	200	Disconnect Fuse Size (Amp)	200	MCCB Size (Amp)	N/A
Number of Pumps					2	3	4	5	6
Enclosure Size w/manual motor starters					N/A	N/A	N/A	N/A	N/A
Enclosure Size w/fuse holders					47"x40"x12"	Multiple Panels	Multiple Panels	Multiple Panels	Multiple Panels
Enclosure Size w/fused disconnect					47"x40"x12"	Multiple Panels	Multiple Panels	Multiple Panels	Multiple Panels
Enclosure Size w/MCCB					N/A	N/A	N/A	N/A	N/A

Starters Only, 480VAC, all motors, up to 6 pumps for DA or Surge, and up to 2 Pumps for Condensate tanks

Feedwater Motor (HP)	0.5	Manual Motor Start Size (Amp)	1.6	Fuse Holder Fuse Size (Amp)	1.8	Disconnect Fuse Size (Amp)	1.8	MCCB Size (Amp)	15
Number of Pumps					2	3	4	5	6
Enclosure Size w/manual motor starters					24"x24"x10"	24"x24"x10"	24"x24"x10"	24"x24"x10"	24"x24"x10"
Enclosure Size w/fuse holders					32"x24"x10"	32"x24"x10"	32"x32"x10"	32"x32"x10"	32"x32"x10"
Enclosure Size w/fused disconnect					32"x32"x10"	32"x32"x10"	40"x32"x10"	40"x40"x12"	40"x40"x12"
Enclosure Size w/MCCB					32"x24"x10"	32"x24"x10"	32"x32"x10"	32"x32"x10"	40"x40"x12"
Feedwater Motor (HP)	0.75	Manual Motor Start Size (Amp)	2.5	Fuse Holder Fuse Size (Amp)	2.5	Disconnect Fuse Size (Amp)	2.5	MCCB Size (Amp)	15
Number of Pumps					2	3	4	5	6
Enclosure Size w/manual motor starters					24"x24"x10"	24"x24"x10"	24"x24"x10"	24"x24"x10"	24"x24"x10"
Enclosure Size w/fuse holders					32"x24"x10"	32"x24"x10"	32"x32"x10"	32"x32"x10"	32"x32"x10"
Enclosure Size w/fused disconnect					32"x32"x10"	32"x32"x10"	40"x32"x10"	40"x40"x12"	40"x40"x12"
Enclosure Size w/MCCB					32"x24"x10"	32"x24"x10"	32"x32"x10"	32"x32"x10"	40"x40"x12"
Feedwater Motor (HP)	1	Manual Motor Start Size (Amp)	4	Fuse Holder Fuse Size (Amp)	3.2	Disconnect Fuse Size (Amp)	3.2	MCCB Size (Amp)	15
Number of Pumps					2	3	4	5	6
Enclosure Size w/manual motor starters					24"x24"x10"	24"x24"x10"	24"x24"x10"	24"x24"x10"	24"x24"x10"
Enclosure Size w/fuse holders					32"x24"x10"	32"x24"x10"	32"x32"x10"	32"x32"x10"	32"x32"x10"
Enclosure Size w/fused disconnect					32"x32"x10"	32"x32"x10"	40"x32"x10"	40"x40"x12"	40"x40"x12"
Enclosure Size w/MCCB					32"x24"x10"	32"x24"x10"	32"x32"x10"	32"x32"x10"	40"x40"x12"
Feedwater Motor (HP)	1.5	Manual Motor Start Size (Amp)	6.3	Fuse Holder Fuse Size (Amp)	4.5	Disconnect Fuse Size (Amp)	4.5	MCCB Size (Amp)	15
Number of Pumps					2	3	4	5	6
Enclosure Size w/manual motor starters					24"x24"x10"	24"x24"x10"	24"x24"x10"	24"x24"x10"	24"x24"x10"
Enclosure Size w/fuse holders					32"x24"x10"	32"x24"x10"	32"x32"x10"	32"x32"x10"	32"x32"x10"
Enclosure Size w/fused disconnect					32"x32"x10"	32"x32"x10"	40"x32"x10"	40"x40"x12"	40"x40"x12"
Enclosure Size w/MCCB					32"x24"x10"	32"x24"x10"	32"x32"x10"	32"x32"x10"	40"x40"x12"

Starters Only, 480VAC, all motors, up to 6 pumps for DA or Surge, and up to 2 Pumps for Condensate tanks (continued)

Feedwater Motor (HP)	2	Manual Motor Start Size (Amp)	6.3	Fuse Holder Fuse Size (Amp)	5.6	Disconnect Fuse Size (Amp)	5.6	MCCB Size (Amp)	15
Number of Pumps					2	3	4	5	6
Enclosure Size w/manual motor starters					24"x24"x10"	24"x24"x10"	24"x24"x10"	24"x24"x10"	24"x24"x10"
Enclosure Size w/fuse holders					32"x24"x10"	32"x24"x10"	32"x32"x10"	32"x32"x10"	32"x32"x10"
Enclosure Size w/fused disconnect					32"x32"x10"	32"x32"x10"	40"x32"x10"	40"x40"x12"	40"x40"x12"
Enclosure Size w/MCCB					32"x24"x10"	32"x24"x10"	32"x32"x10"	32"x32"x10"	40"x40"x12"
Feedwater Motor (HP)	3	Manual Motor Start Size (Amp)	10	Fuse Holder Fuse Size (Amp)	8	Disconnect Fuse Size (Amp)	8	MCCB Size (Amp)	15
Number of Pumps					2	3	4	5	6
Enclosure Size w/manual motor starters					24"x24"x10"	24"x24"x10"	24"x24"x10"	24"x24"x10"	24"x24"x10"
Enclosure Size w/fuse holders					32"x24"x10"	32"x24"x10"	32"x32"x10"	32"x32"x10"	32"x32"x10"
Enclosure Size w/fused disconnect					32"x32"x10"	32"x32"x10"	40"x32"x10"	40"x40"x12"	40"x40"x12"
Enclosure Size w/MCCB					32"x24"x10"	32"x24"x10"	32"x32"x10"	32"x32"x10"	40"x40"x12"
Feedwater Motor (HP)	5	Manual Motor Start Size (Amp)	14	Fuse Holder Fuse Size (Amp)	12	Disconnect Fuse Size (Amp)	12	MCCB Size (Amp)	20
Number of Pumps					2	3	4	5	6
Enclosure Size w/manual motor starters					24"x24"x10"	24"x24"x10"	24"x24"x10"	24"x24"x10"	24"x24"x10"
Enclosure Size w/fuse holders					32"x24"x10"	32"x24"x10"	32"x32"x10"	32"x32"x10"	32"x32"x10"
Enclosure Size w/fused disconnect					32"x32"x10"	32"x32"x10"	40"x32"x10"	40"x40"x12"	40"x40"x12"
Enclosure Size w/MCCB					32"x24"x10"	32"x24"x10"	32"x32"x10"	32"x32"x10"	40"x40"x12"
Feedwater Motor (HP)	7.5	Manual Motor Start Size (Amp)	18	Fuse Holder Fuse Size (Amp)	17.5	Disconnect Fuse Size (Amp)	17.5	MCCB Size (Amp)	30
Number of Pumps					2	3	4	5	6
Enclosure Size w/manual motor starters					24"x24"x10"	24"x24"x10"	24"x24"x10"	24"x24"x10"	32"x24"x10"
Enclosure Size w/fuse holders					32"x24"x10"	32"x24"x10"	32"x32"x10"	32"x32"x10"	32"x32"x10"
Enclosure Size w/fused disconnect					32"x32"x10"	32"x32"x10"	40"x32"x10"	40"x40"x12"	40"x40"x12"
Enclosure Size w/MCCB					32"x24"x10"	32"x24"x10"	32"x32"x10"	32"x32"x10"	40"x40"x12"

Starters Only, 480VAC, all motors, up to 6 pumps for DA or Surge, and up to 2 Pumps for Condensate tanks (continued)

Feedwater Motor (HP)	10	Manual Motor Start Size (Amp)	23	Fuse Holder Fuse Size (Amp)	25	Disconnect Fuse Size (Amp)	25	MCCB Size (Amp)	35
Number of Pumps					2	3	4	5	6
Enclosure Size w/manual motor starters					24"x24"x10"	24"x24"x10"	24"x24"x10"	32"x24"x10"	32"x24"x10"
Enclosure Size w/fuse holders					32"x24"x10"	32"x24"x10"	32"x32"x10"	32"x32"x10"	32"x32"x10"
Enclosure Size w/fused disconnect					32"x32"x10"	32"x32"x10"	40"x40"x12"	40"x40"x12"	40"x40"x12"
Enclosure Size w/MCCB					32"x24"x10"	32"x32"x10"	32"x32"x10"	32"x32"x10"	40"x40"x12"
Feedwater Motor (HP)	15	Manual Motor Start Size (Amp)	25	Fuse Holder Fuse Size (Amp)	35	Disconnect Fuse Size (Amp)	35	MCCB Size (Amp)	60
Number of Pumps					2	3	4	5	6
Enclosure Size w/manual motor starters					24"x24"x10"	24"x24"x10"	24"x24"x10"	32"x32"x10"	32"x32"x10"
Enclosure Size w/fuse holders					32"x24"x10"	32"x32"x10"	32"x32"x10"	40"x40"x12"	40"x40"x12"
Enclosure Size w/fused disconnect					40"x32"x10"	40"x32"x10"	40"x40"x12"	47"x40"x12"	47"x40"x12"
Enclosure Size w/MCCB					32"x24"x10"	32"x32"x10"	32"x32"x10"	32"x32"x10"	40"x40"x12"
Feedwater Motor (HP)	20	Manual Motor Start Size (Amp)	32	Fuse Holder Fuse Size (Amp)	45	Disconnect Fuse Size (Amp)	45	MCCB Size (Amp)	70
Number of Pumps					2	3	4	5	6
Enclosure Size w/manual motor starters					24"x24"x10"	24"x24"x10"	32"x32"x10"	32"x32"x10"	32"x32"x10"
Enclosure Size w/fuse holders					32"x24"x10"	32"x32"x10"	40"x40"x12"	40"x40"x12"	40"x40"x12"
Enclosure Size w/fused disconnect					40"x32"x10"	40"x32"x10"	40"x40"x12"	47"x40"x12"	47"x40"x12"
Enclosure Size w/MCCB					32"x24"x10"	32"x32"x10"	32"x32"x10"	32"x32"x10"	40"x40"x12"
Feedwater Motor (HP)	25	Manual Motor Start Size (Amp)	50	Fuse Holder Fuse Size (Amp)	50	Disconnect Fuse Size (Amp)	50	MCCB Size (Amp)	90
Number of Pumps					2	3	4	5	6
Enclosure Size w/manual motor starters					24"x24"x10"	32"x32"x10"	32"x32"x10"	32"x32"x10"	40"x40"x12"
Enclosure Size w/fuse holders					32"x24"x10"	32"x32"x10"	40"x40"x12"	40"x40"x12"	40"x40"x12"
Enclosure Size w/fused disconnect					40"x32"x10"	40"x40"x12"	47"x40"x12"	47"x40"x12"	47"x40"x12"
Enclosure Size w/MCCB					32"x32"x10"	32"x32"x10"	32"x32"x10"	40"x40"x12"	40"x40"x12"

Starters Only, 480VAC, all motors, up to 6 pumps for DA or Surge, and up to 2 Pumps for Condensate tanks (continued)

Feedwater Motor (HP)	30	Manual Motor Start Size (Amp)	65	Fuse Holder Fuse Size (Amp)	60	Disconnect Fuse Size (Amp)	60	MCCB Size (Amp)	100
Number of Pumps					2	3	4	5	6
Enclosure Size w/manual motor starters					32"x24"x10"	32"x32"x10"	32"x32"x10"	40"x40"x12"	40"x40"x12"
Enclosure Size w/fuse holders					32"x24"x10"	40"x32"x10"	40"x40"x12"	47"x40"x12"	47"x40"x12"
Enclosure Size w/fused disconnect					40"x32"x10"	40"x40"x12"	47"x40"x12"	40"x40"x12"	47"x40"x12"
Enclosure Size w/MCCB					40"x32"x10"	40"x32"x10"	40"x32"x10"	40"x40"x12"	40"x40"x12"
Feedwater Motor (HP)	40	Manual Motor Start Size (Amp)	80	Fuse Holder Fuse Size (Amp)	80	Disconnect Fuse Size (Amp)	80	MCCB Size (Amp)	150
Number of Pumps					2	3	4	5	6
Enclosure Size w/manual motor starters					32"x24"x10"	32"x32"x10"	40"x40"x12"	40"x40"x12"	40"x40"x12"
Enclosure Size w/fuse holders					40"x32"x10"	40"x40"x12"	Multiple Panels	Multiple Panels	Multiple Panels
Enclosure Size w/fused disconnect					40"x32"x10"	40"x40"x12"	47"x40"x12"	47"x40"x12"	47"x40"x12"
Enclosure Size w/MCCB					40"x32"x10"	40"x32"x10"	40"x32"x10"	40"x40"x12"	Multiple Panels
Feedwater Motor (HP)	50	Manual Motor Start Size (Amp)	N/A	Fuse Holder Fuse Size (Amp)	100	Disconnect Fuse Size (Amp)	100	MCCB Size (Amp)	175
Number of Pumps					2	3	4	5	6
Enclosure Size w/manual motor starters					N/A	N/A	N/A	N/A	N/A
Enclosure Size w/fuse holders					40"x32"x10"	40"x40"x12"	Multiple Panels	Multiple Panels	Multiple Panels
Enclosure Size w/fused disconnect					40"x32"x10"	40"x40"x12"	Multiple Panels	Multiple Panels	Multiple Panels
Enclosure Size w/MCCB					40"x40"x12"	40"x40"x12"	40"x40"x12"	Multiple Panels	Multiple Panels
Feedwater Motor (HP)	60	Manual Motor Start Size (Amp)	N/A	Fuse Holder Fuse Size (Amp)	125	Disconnect Fuse Size (Amp)	125	MCCB Size (Amp)	200
Number of Pumps					2	3	4	5	6
Enclosure Size w/manual motor starters					N/A	N/A	N/A	N/A	N/A
Enclosure Size w/fuse holders					47"x40"x12"	Multiple Panels	Multiple Panels	Multiple Panels	Multiple Panels
Enclosure Size w/fused disconnect					47"x40"x12"	47"x40"x12"	Multiple Panels	Multiple Panels	Multiple Panels
Enclosure Size w/MCCB					40"x40"x12"	40"x40"x12"	Multiple Panels	Multiple Panels	Multiple Panels

Starters Only, 560VAC, all motors, up to 6 pumps for DA or Surge, and up to 2 Pumps for Condensate tanks

Feedwater Motor (HP)	0.5	Manual Motor Start Size (Amp)	1.6	Fuse Holder Fuse Size (Amp)	1.6	Disconnect Fuse Size (Amp)	1.6	MCCB Size (Amp)	15
Number of Pumps					2	3	4	5	6
Enclosure Size w/manual motor starters					24"x24"x10"	24"x24"x10"	24"x24"x10"	24"x24"x10"	24"x24"x10"
Enclosure Size w/fuse holders					32"x24"x10"	32"x24"x10"	32"x32"x10"	32"x32"x10"	32"x32"x10"
Enclosure Size w/fused disconnect					32"x32"x10"	32"x32"x10"	40"x32"x10"	40"x40"x12"	40"x40"x12"
Enclosure Size w/MCCB					32"x24"x10"	32"x24"x10"	32"x32"x10"	32"x32"x10"	40"x40"x12"
Feedwater Motor (HP)	0.75	Manual Motor Start Size (Amp)	2.5	Fuse Holder Fuse Size (Amp)	2	Disconnect Fuse Size (Amp)	2	MCCB Size (Amp)	15
Number of Pumps					2	3	4	5	6
Enclosure Size w/manual motor starters					24"x24"x10"	24"x24"x10"	24"x24"x10"	24"x24"x10"	24"x24"x10"
Enclosure Size w/fuse holders					32"x24"x10"	32"x24"x10"	32"x32"x10"	32"x32"x10"	32"x32"x10"
Enclosure Size w/fused disconnect					32"x32"x10"	32"x32"x10"	40"x32"x10"	40"x40"x12"	40"x40"x12"
Enclosure Size w/MCCB					32"x24"x10"	32"x24"x10"	32"x32"x10"	32"x32"x10"	40"x40"x12"
Feedwater Motor (HP)	1	Manual Motor Start Size (Amp)	2.5	Fuse Holder Fuse Size (Amp)	2.8	Disconnect Fuse Size (Amp)	2.8	MCCB Size (Amp)	15
Number of Pumps					2	3	4	5	6
Enclosure Size w/manual motor starters					24"x24"x10"	24"x24"x10"	24"x24"x10"	24"x24"x10"	24"x24"x10"
Enclosure Size w/fuse holders					32"x24"x10"	32"x24"x10"	32"x32"x10"	32"x32"x10"	32"x32"x10"
Enclosure Size w/fused disconnect					32"x32"x10"	32"x32"x10"	40"x32"x10"	40"x40"x12"	40"x40"x12"
Enclosure Size w/MCCB					32"x24"x10"	32"x24"x10"	32"x32"x10"	32"x32"x10"	40"x40"x12"
Feedwater Motor (HP)	1.5	Manual Motor Start Size (Amp)	4	Fuse Holder Fuse Size (Amp)	4	Disconnect Fuse Size (Amp)	4	MCCB Size (Amp)	15
Number of Pumps					2	3	4	5	6
Enclosure Size w/manual motor starters					24"x24"x10"	24"x24"x10"	24"x24"x10"	24"x24"x10"	24"x24"x10"
Enclosure Size w/fuse holders					32"x24"x10"	32"x24"x10"	32"x32"x10"	32"x32"x10"	32"x32"x10"
Enclosure Size w/fused disconnect					32"x32"x10"	32"x32"x10"	40"x32"x10"	40"x40"x12"	40"x40"x12"
Enclosure Size w/MCCB					32"x24"x10"	32"x24"x10"	32"x32"x10"	32"x32"x10"	40"x40"x12"

Starters Only, 560VAC, all motors, up to 6 pumps for DA or Surge, and up to 2 Pumps for Condensate tanks (continued)

Feedwater Motor (HP)	2	Manual Motor Start Size (Amp)	4	Fuse Holder Fuse Size (Amp)	4	Disconnect Fuse Size (Amp)	4	MCCB Size (Amp)	15
Number of Pumps					2	3	4	5	6
Enclosure Size w/manual motor starters					24"x24"x10"	24"x24"x10"	24"x24"x10"	24"x24"x10"	24"x24"x10"
Enclosure Size w/fuse holders					32"x24"x10"	32"x24"x10"	32"x32"x10"	32"x32"x10"	32"x32"x10"
Enclosure Size w/fused disconnect					32"x32"x10"	32"x32"x10"	40"x32"x10"	40"x40"x12"	40"x40"x12"
Enclosure Size w/MCCB					32"x24"x10"	32"x24"x10"	32"x32"x10"	32"x32"x10"	40"x40"x12"
Feedwater Motor (HP)	3	Manual Motor Start Size (Amp)	6.3	Fuse Holder Fuse Size (Amp)	6	Disconnect Fuse Size (Amp)	6	MCCB Size (Amp)	15
Number of Pumps					2	3	4	5	6
Enclosure Size w/manual motor starters					24"x24"x10"	24"x24"x10"	24"x24"x10"	24"x24"x10"	24"x24"x10"
Enclosure Size w/fuse holders					32"x24"x10"	32"x24"x10"	32"x32"x10"	32"x32"x10"	32"x32"x10"
Enclosure Size w/fused disconnect					32"x32"x10"	32"x32"x10"	40"x32"x10"	40"x40"x12"	40"x40"x12"
Enclosure Size w/MCCB					32"x24"x10"	32"x24"x10"	32"x32"x10"	32"x32"x10"	40"x40"x12"
Feedwater Motor (HP)	5	Manual Motor Start Size (Amp)	10	Fuse Holder Fuse Size (Amp)	10	Disconnect Fuse Size (Amp)	10	MCCB Size (Amp)	20
Number of Pumps					2	3	4	5	6
Enclosure Size w/manual motor starters					24"x24"x10"	24"x24"x10"	24"x24"x10"	24"x24"x10"	24"x24"x10"
Enclosure Size w/fuse holders					32"x24"x10"	32"x24"x10"	32"x32"x10"	32"x32"x10"	32"x32"x10"
Enclosure Size w/fused disconnect					32"x32"x10"	32"x32"x10"	40"x32"x10"	40"x40"x12"	40"x40"x12"
Enclosure Size w/MCCB					32"x24"x10"	32"x24"x10"	32"x32"x10"	32"x32"x10"	40"x40"x12"
Feedwater Motor (HP)	7.5	Manual Motor Start Size (Amp)	14	Fuse Holder Fuse Size (Amp)	15	Disconnect Fuse Size (Amp)	15	MCCB Size (Amp)	25
Number of Pumps					2	3	4	5	6
Enclosure Size w/manual motor starters					24"x24"x10"	24"x24"x10"	24"x24"x10"	24"x24"x10"	24"x24"x10"
Enclosure Size w/fuse holders					32"x24"x10"	32"x24"x10"	32"x32"x10"	32"x32"x10"	32"x32"x10"
Enclosure Size w/fused disconnect					32"x32"x10"	32"x32"x10"	40"x32"x10"	40"x40"x12"	40"x40"x12"
Enclosure Size w/MCCB					32"x24"x10"	32"x24"x10"	32"x32"x10"	32"x32"x10"	40"x40"x12"

Starters Only, 560VAC, all motors, up to 6 pumps for DA or Surge, and up to 2 Pumps for Condensate tanks (continued)

Feedwater Motor (HP)	10	Manual Motor Start Size (Amp)	18	Fuse Holder Fuse Size (Amp)	17.5	Disconnect Fuse Size (Amp)	17.5	MCCB Size (Amp)	30
Number of Pumps					2	3	4	5	6
Enclosure Size w/manual motor starters					24"x24"x10"	24"x24"x10"	24"x24"x10"	24"x24"x10"	32"x24"x10"
Enclosure Size w/fuse holders					32"x24"x10"	32"x24"x10"	32"x32"x10"	32"x32"x10"	32"x32"x10"
Enclosure Size w/fused disconnect					32"x32"x10"	32"x32"x10"	40"x32"x10"	40"x40"x12"	40"x40"x12"
Enclosure Size w/MCCB					32"x24"x10"	32"x24"x10"	32"x32"x10"	32"x32"x10"	40"x40"x12"
Feedwater Motor (HP)	15	Manual Motor Start Size (Amp)	25	Fuse Holder Fuse Size (Amp)	25	Disconnect Fuse Size (Amp)	25	MCCB Size (Amp)	45
Number of Pumps					2	3	4	5	6
Enclosure Size w/manual motor starters					24"x24"x10"	24"x24"x10"	24"x24"x10"	32"x24"x10"	32"x32"x10"
Enclosure Size w/fuse holders					32"x24"x10"	32"x24"x10"	32"x32"x10"	32"x32"x10"	40"x40"x12"
Enclosure Size w/fused disconnect					32"x32"x10"	32"x32"x10"	40"x40"x12"	40"x40"x12"	47"x40"x12"
Enclosure Size w/MCCB					32"x24"x10"	32"x32"x10"	32"x32"x10"	32"x32"x10"	40"x40"x12"
Feedwater Motor (HP)	20	Manual Motor Start Size (Amp)	32	Fuse Holder Fuse Size (Amp)	35	Disconnect Fuse Size (Amp)	35	MCCB Size (Amp)	60
Number of Pumps					2	3	4	5	6
Enclosure Size w/manual motor starters					24"x24"x10"	24"x24"x10"	24"x24"x10"	32"x32"x10"	32"x32"x10"
Enclosure Size w/fuse holders					32"x24"x10"	32"x32"x10"	40"x40"x12"	40"x40"x12"	40"x40"x12"
Enclosure Size w/fused disconnect					40"x32"x10"	40"x32"x10"	47"x40"x12"	47"x40"x12"	47"x40"x12"
Enclosure Size w/MCCB					32"x24"x10"	32"x32"x10"	32"x32"x10"	32"x32"x10"	40"x40"x12"
Feedwater Motor (HP)	25	Manual Motor Start Size (Amp)	40	Fuse Holder Fuse Size (Amp)	40	Disconnect Fuse Size (Amp)	40	MCCB Size (Amp)	70
Number of Pumps					2	3	4	5	6
Enclosure Size w/manual motor starters					24"x24"x10"	24"x24"x10"	32"x32"x10"	32"x32"x10"	32"x32"x10"
Enclosure Size w/fuse holders					32"x24"x10"	32"x32"x10"	40"x40"x12"	40"x40"x12"	40"x40"x12"
Enclosure Size w/fused disconnect					40"x32"x10"	40"x32"x10"	47"x40"x12"	47"x40"x12"	47"x40"x12"
Enclosure Size w/MCCB					32"x32"x10"	32"x32"x10"	32"x32"x10"	32"x32"x10"	40"x40"x12"

Starters Only, 560VAC, all motors, up to 6 pumps for DA or Surge, and up to 2 Pumps for Condensate tanks (continued)

Feedwater Motor (HP)	30	Manual Motor Start Size (Amp)	50	Fuse Holder Fuse Size (Amp)	50	Disconnect Fuse Size (Amp)	50	MCCB Size (Amp)	80
Number of Pumps					2	3	4	5	6
Enclosure Size w/manual motor starters					24"x24"x10"	32"x32"x10"	32"x32"x10"	32"x32"x10"	40"x40"x12"
Enclosure Size w/fuse holders					32"x24"x10"	32"x32"x10"	40"x40"x12"	40"x40"x12"	47"x40"x12"
Enclosure Size w/fused disconnect					40"x32"x10"	40"x40"x12"	47"x40"x12"	47"x40"x12"	47"x40"x12"
Enclosure Size w/MCCB					32"x32"x10"	32"x32"x10"	32"x32"x10"	40"x40"x12"	40"x40"x12"
Feedwater Motor (HP)	40	Manual Motor Start Size (Amp)	63	Fuse Holder Fuse Size (Amp)	60	Disconnect Fuse Size (Amp)	60	MCCB Size (Amp)	125
Number of Pumps					2	3	4	5	6
Enclosure Size w/manual motor starters					32"x24"x10"	32"x32"x10"	40"x40"x12"	40"x40"x12"	40"x40"x12"
Enclosure Size w/fuse holders					40"x32"x10"	40"x32"x10"	40"x40"x12"	47"x40"x12"	47"x40"x12"
Enclosure Size w/fused disconnect					40"x32"x10"	40"x40"x12"	47"x40"x12"	47"x40"x12"	47"x40"x12"
Enclosure Size w/MCCB					40"x32"x10"	40"x32"x10"	40"x32"x10"	40"x40"x12"	40"x40"x12"
Feedwater Motor (HP)	50	Manual Motor Start Size (Amp)	80	Fuse Holder Fuse Size (Amp)	80	Disconnect Fuse Size (Amp)	80	MCCB Size (Amp)	150
Number of Pumps					2	3	4	5	6
Enclosure Size w/manual motor starters					32"x24"x10"	32"x32"x10"	40"x40"x12"	40"x40"x12"	40"x40"x12"
Enclosure Size w/fuse holders					40"x32"x10"	40"x40"x12"	Multiple Panels	Multiple Panels	Multiple Panels
Enclosure Size w/fused disconnect					40"x32"x10"	40"x40"x12"	47"x40"x12"	47"x40"x12"	47"x40"x12"
Enclosure Size w/MCCB					40"x32"x10"	40"x32"x10"	40"x32"x10"	40"x40"x12"	Multiple Panels
Feedwater Motor (HP)	60	Manual Motor Start Size (Amp)	N/A	Fuse Holder Fuse Size (Amp)	100	Disconnect Fuse Size (Amp)	100	MCCB Size (Amp)	175
Number of Pumps					2	3	4	5	6
Enclosure Size w/manual motor starters					N/A	N/A	N/A	N/A	N/A
Enclosure Size w/fuse holders					40"x32"x10"	Multiple Panels	Multiple Panels	Multiple Panels	Multiple Panels
Enclosure Size w/fused disconnect					40"x32"x10"	47"x40"x12"	47"x40"x12"	47"x40"x12"	Multiple Panels
Enclosure Size w/MCCB					40"x40"x12"	40"x40"x12"	40"x40"x12"	Multiple Panels	Multiple Panels

VSD connections only, Yaskawa 220VAC drives, all motors, up to 6 pumps for DA or Surge, and up to 2 Pumps for Condensate tanks

Feedwater Motor (HP)	2	Drive Current (Amp)	9.6	Drive MCCB Size (Amp)	20	Drive LPJ Fuse Size (Amp)	15
Number of Pumps			2	3	4	5	6
Enclosure Size w/fuse holders			24"x24"x10"	24"x24"x10"	24"x24"x10"	24"x24"x10"	24"x24"x10"
Enclosure Size w/MCCB			24"x24"x10"	24"x24"x10"	32"x24"x10"	32"x32"x10"	32"x32"x10"
Enclosure Size w/fused disconnect			24"x24"x10"	32"x24"x10"	32"x32"x10"	40"x32"x10"	40"x32"x10"
Feedwater Motor (HP)	3	Drive Current (Amp)	9.6	Drive MCCB Size (Amp)	20	Drive LPJ Fuse Size (Amp)	15
Number of Pumps			2	3	4	5	6
Enclosure Size w/fuse holders			24"x24"x10"	24"x24"x10"	24"x24"x10"	24"x24"x10"	24"x24"x10"
Enclosure Size w/MCCB			24"x24"x10"	24"x24"x10"	32"x24"x10"	32"x32"x10"	32"x32"x10"
Enclosure Size w/fused disconnect			24"x24"x10"	32"x24"x10"	32"x32"x10"	40"x32"x10"	40"x32"x10"
Feedwater Motor (HP)	5	Drive Current (Amp)	21	Drive MCCB Size (Amp)	45	Drive LPJ Fuse Size (Amp)	35
Number of Pumps			2	3	4	5	6
Enclosure Size w/fuse holders			24"x24"x10"	24"x24"x10"	32"x24"x10"	32"x32"x10"	32"x32"x10"
Enclosure Size w/MCCB			24"x24"x10"	24"x24"x10"	32"x32"x10"	32"x32"x10"	32"x32"x10"
Enclosure Size w/fused disconnect			32"x24"x10"	32"x32"x10"	40"x32"x10"	40"x32"x10"	40"x40"x12"
Feedwater Motor (HP)	7.5	Drive Current (Amp)	21	Drive MCCB Size (Amp)	45	Drive LPJ Fuse Size (Amp)	35
Number of Pumps			2	3	4	5	6
Enclosure Size w/fuse holders			24"x24"x10"	24"x24"x10"	32"x24"x10"	32"x32"x10"	32"x32"x10"
Enclosure Size w/MCCB			24"x24"x10"	24"x24"x10"	32"x32"x10"	32"x32"x10"	32"x32"x10"
Enclosure Size w/fused disconnect			32"x24"x10"	32"x32"x10"	40"x32"x10"	40"x32"x10"	40"x40"x12"
Feedwater Motor (HP)	10	Drive Current (Amp)	30	Drive MCCB Size (Amp)	60	Drive LPJ Fuse Size (Amp)	50
Number of Pumps			2	3	4	5	6
Enclosure Size w/fuse holders			24"x24"x10"	32"x24"x10"	32"x24"x10"	32"x32"x10"	32"x32"x10"
Enclosure Size w/MCCB			24"x24"x10"	32"x24"x10"	32"x32"x10"	32"x32"x10"	32"x32"x10"
Enclosure Size w/fused disconnect			32"x24"x10"	32"x32"x10"	40"x32"x10"	40"x32"x10"	40"x40"x12"
Feedwater Motor (HP)	15	Drive Current (Amp)	42	Drive MCCB Size (Amp)	90	Drive LPJ Fuse Size (Amp)	70
Number of Pumps			2	3	4	5	6
Enclosure Size w/fuse holders			32"x32"x10"	40"x32"x10"	40"x32"x10"	47"x40"x12"	47"x40"x12"
Enclosure Size w/MCCB			32"x24"x10"	32"x24"x10"	32"x32"x10"	40"x32"x10"	40"x40"x12"
Enclosure Size w/fused disconnect			32"x32"x10"	32"x32"x10"	32"x32"x10"	40"x40"x12"	47"x40"x12"

VSD connections only, Yaskawa 220VAC drives, all motors, up to 6 pumps for DA or Surge, and up to 2 Pumps for Condensate tanks (continued)

Feedwater Motor (HP)	20	Drive Current (Amp)	56	Drive MCCB Size (Amp)	125	Drive LPJ Fuse Size (Amp)	90
Number of Pumps			2	3	4	5	6
Enclosure Size w/fuse holders			32"x32"x10"	47"x40"x12"	47"x40"x12"	47"x40"x12"	47"x40"x12"
Enclosure Size w/MCCB			32"x24"x10"	40"x32"x10"	40"x32"x10"	40"x32"x10"	40"x40"x12"
Enclosure Size w/fused disconnect			32"x32"x10"	40"x40"x12"	40"x40"x12"	40"x40"x12"	47"x40"x12"
Feedwater Motor (HP)	25	Drive Current (Amp)	70	Drive MCCB Size (Amp)	N/A	Drive LPJ Fuse Size (Amp)	110
Number of Pumps			2	3	4	5	6
Enclosure Size w/fuse holders			40"x32"x10"	47"x40"x12"	47"x40"x12"	47"x40"x12"	Multiple Panels
Enclosure Size w/MCCB			N/A	N/A	N/A	N/A	N/A
Enclosure Size w/fused disconnect			40"x32"x10"	47"x40"x12"	47"x40"x12"	Multiple Panels	Multiple Panels
Feedwater Motor (HP)	30	Drive Current (Amp)	82	Drive MCCB Size (Amp)	N/A	Drive LPJ Fuse Size (Amp)	125
Number of Pumps			2	3	4	5	6
Enclosure Size w/fuse holders			47"x40"x12"	47"x40"x12"	47"x40"x12"	Multiple Panels	Multiple Panels
Enclosure Size w/MCCB			N/A	N/A	N/A	N/A	N/A
Enclosure Size w/fused disconnect			40"x40"x12"	47"x40"x12"	47"x40"x12"	Multiple Panels	Multiple Panels
Feedwater Motor (HP)	40	Drive Current (Amp)	110	Drive MCCB Size (Amp)	N/A	Drive LPJ Fuse Size (Amp)	175
Number of Pumps			2	3	4	5	6
Enclosure Size w/fuse holders			47"x40"x12"	47"x40"x12"	Multiple Panels	Multiple Panels	Multiple Panels
Enclosure Size w/MCCB			N/A	N/A	N/A	N/A	N/A
Enclosure Size w/fused disconnect			40"x40"x12"	47"x40"x12"	Multiple Panels	Multiple Panels	Multiple Panels
Feedwater Motor (HP)	50	Drive Current (Amp)	138	Drive MCCB Size (Amp)	N/A	Drive LPJ Fuse Size (Amp)	225
Number of Pumps			2	3	4	5	6
Enclosure Size w/fuse holders			47"x40"x12"	Multiple Panels	Multiple Panels	Multiple Panels	Multiple Panels
Enclosure Size w/MCCB			N/A	N/A	N/A	N/A	N/A
Enclosure Size w/fused disconnect			47"x40"x12"	Multiple Panels	Multiple Panels	Multiple Panels	Multiple Panels

VSD connections only, Grundfos CRE VFD 200-240VAC, all motors, up to 6 pumps for DA or Surge, and up to 2 Pumps for Condensate tanks (continued)

Feedwater Motor (HP)	1.5	Drive Input Current (Amp)	4.1	Drive MCCB Size (Amp)	15	Drive LPJ Fuse Size (Amp)	10
Number of Pumps			2	3	4	5	6
Enclosure Size w/fuse holders			24"x24"x10"	24"x24"x10"	24"x24"x10"	24"x24"x10"	24"x24"x10"
Enclosure Size w/MCCB			24"x24"x10"	24"x24"x10"	32"x24"x10"	32"x32"x10"	32"x32"x10"
Enclosure Size w/fused disconnect			24"x24"x10"	32"x24"x10"	32"x32"x10"	40"x32"x10"	40"x32"x10"
Feedwater Motor (HP)	2	Drive Input Current (Amp)	5.4	Drive MCCB Size (Amp)	15	Drive LPJ Fuse Size (Amp)	10
Number of Pumps			2	3	4	5	6
Enclosure Size w/fuse holders			24"x24"x10"	24"x24"x10"	24"x24"x10"	24"x24"x10"	24"x24"x10"
Enclosure Size w/MCCB			24"x24"x10"	24"x24"x10"	32"x24"x10"	32"x32"x10"	32"x32"x10"
Enclosure Size w/fused disconnect			24"x24"x10"	32"x24"x10"	32"x32"x10"	40"x32"x10"	40"x32"x10"
Feedwater Motor (HP)	3	Drive Input Current (Amp)	7.9	Drive MCCB Size (Amp)	20	Drive LPJ Fuse Size (Amp)	17.5
Number of Pumps			2	3	4	5	6
Enclosure Size w/fuse holders			24"x24"x10"	24"x24"x10"	24"x24"x10"	24"x24"x10"	24"x24"x10"
Enclosure Size w/MCCB			24"x24"x10"	24"x24"x10"	32"x24"x10"	32"x32"x10"	32"x32"x10"
Enclosure Size w/fused disconnect			24"x24"x10"	32"x24"x10"	32"x32"x10"	40"x32"x10"	40"x32"x10"
Feedwater Motor (HP)	5	Drive Input Current (Amp)	13.2	Drive MCCB Size (Amp)	35	Drive LPJ Fuse Size (Amp)	25
Number of Pumps			2	3	4	5	6
Enclosure Size w/fuse holders			24"x24"x10"	24"x24"x10"	24"x24"x10"	24"x24"x10"	24"x24"x10"
Enclosure Size w/MCCB			24"x24"x10"	24"x24"x10"	32"x24"x10"	32"x32"x10"	32"x32"x10"
Enclosure Size w/fused disconnect			24"x24"x10"	32"x24"x10"	32"x32"x10"	40"x32"x10"	40"x32"x10"
Feedwater Motor (HP)	7.5	Drive Input Current (Amp)	20	Drive MCCB Size (Amp)	50	Drive LPJ Fuse Size (Amp)	35
Number of Pumps			2	3	4	5	6
Enclosure Size w/fuse holders			24"x24"x10"	24"x24"x10"	24"x24"x10"	32"x32"x10"	32"x32"x10"
Enclosure Size w/MCCB			24"x24"x10"	24"x24"x10"	32"x24"x10"	32"x32"x10"	32"x32"x10"
Enclosure Size w/fused disconnect			32"x24"x10"	32"x32"x10"	32"x32"x10"	40"x32"x10"	40"x40"x12"

VSD connections only, Grundfos CRE VFD 460-480VAC, all motors, up to 6 pumps for DA or Surge, and up to 2 Pumps for Condensate tanks

Feedwater Motor (HP)	1	Drive Input Current	1.65	Drive MCCB Size (Amp)	15	Drive LPJ Fuse Size (Amp)	6
Number of Pumps			2	3	4	5	6
Enclosure Size w/fuse holders			24"x24"x10"	24"x24"x10"	24"x24"x10"	24"x24"x10"	24"x24"x10"
Enclosure Size w/MCCB			24"x24"x10"	24"x24"x10"	32"x24"x10"	32"x32"x10"	32"x32"x10"
Enclosure Size w/fused disconnect			24"x24"x10"	32"x24"x10"	32"x32"x10"	32"x32"x10"	40"x32"x10"
Feedwater Motor (HP)	1.5	Drive Input Current	2.05	Drive MCCB Size (Amp)	15	Drive LPJ Fuse Size (Amp)	6
Number of Pumps			2	3	4	5	6
Enclosure Size w/fuse holders			24"x24"x10"	24"x24"x10"	24"x24"x10"	24"x24"x10"	24"x24"x10"
Enclosure Size w/MCCB			24"x24"x10"	24"x24"x10"	32"x24"x10"	32"x32"x10"	32"x32"x10"
Enclosure Size w/fused disconnect			24"x24"x10"	32"x24"x10"	32"x32"x10"	32"x32"x10"	40"x32"x10"
Feedwater Motor (HP)	2	Drive Input Current	2.65	Drive MCCB Size (Amp)	15	Drive LPJ Fuse Size (Amp)	6
Number of Pumps			2	3	4	5	6
Enclosure Size w/fuse holders			24"x24"x10"	24"x24"x10"	24"x24"x10"	24"x24"x10"	24"x24"x10"
Enclosure Size w/MCCB			24"x24"x10"	24"x24"x10"	32"x24"x10"	32"x32"x10"	32"x32"x10"
Enclosure Size w/fused disconnect			24"x24"x10"	32"x24"x10"	32"x32"x10"	32"x32"x10"	40"x32"x10"
Feedwater Motor (HP)	3	Drive Input Current (Amp)	3.8	Drive MCCB Size (Amp)	15	Drive LPJ Fuse Size (Amp)	6
Number of Pumps			2	3	4	5	6
Enclosure Size w/fuse holders			24"x24"x10"	24"x24"x10"	24"x24"x10"	24"x24"x10"	24"x24"x10"
Enclosure Size w/MCCB			24"x24"x10"	24"x24"x10"	32"x24"x10"	32"x32"x10"	32"x32"x10"
Enclosure Size w/fused disconnect			24"x24"x10"	32"x24"x10"	32"x32"x10"	32"x32"x10"	40"x32"x10"
Feedwater Motor (HP)	5	Drive Input Current (Amp)	5.8	Drive MCCB Size (Amp)	15	Drive LPJ Fuse Size (Amp)	15
Number of Pumps			2	3	4	5	6
Enclosure Size w/fuse holders			24"x24"x10"	24"x24"x10"	24"x24"x10"	24"x24"x10"	24"x24"x10"
Enclosure Size w/MCCB			24"x24"x10"	24"x24"x10"	32"x24"x10"	32"x32"x10"	32"x32"x10"
Enclosure Size w/fused disconnect			24"x24"x10"	32"x24"x10"	32"x32"x10"	40"x32"x10"	40"x32"x10"
Feedwater Motor (HP)	7.5	Drive Input Current (Amp)	9.1	Drive MCCB Size (Amp)	25	Drive LPJ Fuse Size (Amp)	20
Number of Pumps			2	3	4	5	6
Enclosure Size w/fuse holders			24"x24"x10"	24"x24"x10"	24"x24"x10"	24"x24"x10"	24"x24"x10"
Enclosure Size w/MCCB			24"x24"x10"	24"x24"x10"	32"x24"x10"	32"x32"x10"	32"x32"x10"
Enclosure Size w/fused disconnect			24"x24"x10"	32"x24"x10"	32"x32"x10"	40"x32"x10"	40"x32"x10"

VSD connections only, Grundfos CRE VFD 460-480VAC, all motors, up to 6 pumps for DA or Surge, and up to 2 Pumps for Condensate tanks (continued)

Feedwater Motor (HP)	10	Drive Input Current (Amp)	12.4	Drive MCCB Size (Amp)	35	Drive LPJ Fuse Size (Amp)	20
Number of Pumps			2	3	4	5	6
Enclosure Size w/fuse holders			24"x24"x10"	24"x24"x10"	24"x24"x10"	24"x24"x10"	24"x24"x10"
Enclosure Size w/MCCB			24"x24"x10"	24"x24"x10"	32"x24"x10"	32"x32"x10"	32"x32"x10"
Enclosure Size w/fused disconnect			24"x24"x10"	32"x24"x10"	32"x32"x10"	40"x32"x10"	40"x32"x10"
Feedwater Motor (HP)	15	Drive Input Current (Amp)	17.9	Drive MCCB Size (Amp)	45	Drive LPJ Fuse Size (Amp)	30
Number of Pumps			2	3	4	5	6
Enclosure Size w/fuse holders			24"x24"x10"	24"x24"x10"	24"x24"x10"	24"x24"x10"	32"x24"x10"
Enclosure Size w/MCCB			24"x24"x10"	24"x24"x10"	32"x24"x10"	32"x32"x10"	32"x32"x10"
Enclosure Size w/fused disconnect			24"x24"x10"	32"x24"x10"	32"x32"x10"	40"x32"x10"	40"x40"x12"
Feedwater Motor (HP)	20	Drive Input Current (Amp)	26	Drive MCCB Size (Amp)	70	Drive LPJ Fuse Size (Amp)	35
Number of Pumps			2	3	4	5	6
Enclosure Size w/fuse holders			24"x24"x10"	24"x24"x10"	32"x24"x10"	32"x32"x10"	32"x32"x10"
Enclosure Size w/MCCB			24"x24"x10"	24"x24"x10"	32"x32"x10"	32"x32"x10"	32"x32"x10"
Enclosure Size w/fused disconnect			32"x24"x10"	32"x32"x10"	40"x32"x10"	40"x32"x10"	40"x40"x12"
Feedwater Motor (HP)	25	Drive Input Current (Amp)	30.5	Drive MCCB Size (Amp)	80	Drive LPJ Fuse Size (Amp)	40
Number of Pumps			2	3	4	5	6
Enclosure Size w/fuse holders			24"x24"x10"	32"x24"x10"	32"x24"x10"	32"x32"x10"	32"x32"x10"
Enclosure Size w/MCCB			24"x24"x10"	32"x24"x10"	32"x32"x10"	32"x32"x10"	32"x32"x10"
Enclosure Size w/fused disconnect			32"x24"x10"	32"x32"x10"	40"x32"x10"	40"x32"x10"	40"x40"x12"
Feedwater Motor (HP)	30	Drive Input Current (Amp)	36.5	Drive MCCB Size (Amp)	100	Drive LPJ Fuse Size (Amp)	50
Number of Pumps			2	3	4	5	6
Enclosure Size w/fuse holders			24"x24"x10"	32"x24"x10"	32"x24"x10"	32"x32"x10"	40"x32"x10"
Enclosure Size w/MCCB			24"x24"x10"	32"x24"x10"	32"x32"x10"	32"x32"x10"	40"x40"x12"
Enclosure Size w/fused disconnect			32"x32"x10"	32"x32"x10"	40"x32"x10"	40"x32"x10"	47"x40"x12"

VSD connections only, Grundfos CUE VFD 220-240VAC, all motors, up to 6 pumps for DA or Surge, and up to 2 Pumps for Condensate tanks

Feedwater Motor (HP)	10	Drive Input Current (Amp)	30.8	Drive MCCB Size (Amp)	80	Drive LPJ Fuse Size (Amp)	60
Number of Pumps			2	3	4	5	6
Enclosure Size w/fuse holders			24"x24"x10"	32"x24"x10"	32"x24"x10"	32"x32"x10"	40"x32"x10"
Enclosure Size w/MCCB			24"x24"x10"	32"x24"x10"	32"x32"x10"	32"x32"x10"	40"x40"x12"
Enclosure Size w/fused disconnect			32"x24"x10"	32"x32"x10"	40"x32"x10"	40"x32"x10"	47"x40"x12"
Feedwater Motor (HP)	15	Drive Input Current (Amp)	46.2	Drive MCCB Size (Amp)	125	Drive LPJ Fuse Size (Amp)	60
Number of Pumps			2	3	4	5	6
Enclosure Size w/fuse holders			32"x24"x10"	32"x24"x10"	32"x24"x10"	40"x32"x10"	40"x32"x10"
Enclosure Size w/MCCB			32"x24"x10"	32"x24"x10"	32"x32"x10"	40"x32"x10"	40"x40"x12"
Enclosure Size w/fused disconnect			32"x32"x10"	32"x32"x10"	40"x32"x10"	40"x40"x12"	47"x40"x12"
Feedwater Motor (HP)	20	Drive Input Current (Amp)	59.4	Drive MCCB Size (Amp)	150	Drive LPJ Fuse Size (Amp)	80
Number of Pumps			2	3	4	5	6
Enclosure Size w/fuse holders			32"x32"x10"	40"x32"x10"	47"x40"x12"	47"x40"x12"	47"x40"x12"
Enclosure Size w/MCCB			32"x24"x10"	32"x24"x10"	40"x32"x10"	40"x32"x10"	40"x40"x12"
Enclosure Size w/fused disconnect			32"x32"x10"	32"x32"x10"	40"x40"x12"	40"x40"x12"	47"x40"x12"
Feedwater Motor (HP)	25	Drive Input Current (Amp)	74.8	Drive MCCB Size (Amp)	N/A	Drive LPJ Fuse Size (Amp)	125
Number of Pumps			2	3	4	5	6
Enclosure Size w/fuse holders			40"x32"x10"	47"x40"x12"	47"x40"x12"	Multiple Panels	Multiple Panels
Enclosure Size w/MCCB			N/A	N/A	N/A	N/A	N/A
Enclosure Size w/fused disconnect			40"x32"x10"	47"x40"x12"	47"x40"x12"	Multiple Panels	Multiple Panels
Feedwater Motor (HP)	30	Drive Input Current (Amp)	88	Drive MCCB Size (Amp)	N/A	Drive LPJ Fuse Size (Amp)	125
Number of Pumps			2	3	4	5	6
Enclosure Size w/fuse holders			47"x40"x12"	47"x40"x12"	47"x40"x12"	Multiple Panels	Multiple Panels
Enclosure Size w/MCCB			N/A	N/A	N/A	N/A	N/A
Enclosure Size w/fused disconnect			40"x40"x12"	47"x40"x12"	47"x40"x12"	Multiple Panels	Multiple Panels

VSD connections only, Grundfos CUE VFD 220-240VAC, all motors, up to 6 pumps for DA or Surge, and up to 2 Pumps for Condensate tanks (continued)

Feedwater Motor (HP)	40	Drive Input Current (Amp)	115	Drive MCCB Size (Amp)	N/A	Drive LPJ Fuse Size (Amp)	150
Number of Pumps			2	3	4	5	6
Enclosure Size w/fuse holders			47"x40"x12"	47"x40"x12"	Multiple Panels	Multiple Panels	Multiple Panels
Enclosure Size w/MCCB			N/A	N/A	N/A	N/A	N/A
Enclosure Size w/fused disconnect			40"x40"x12"	47"x40"x12"	Multiple Panels	Multiple Panels	Multiple Panels
Feedwater Motor (HP)	50	Drive Input Current (Amp)	143	Drive MCCB Size (Amp)	N/A	Drive LPJ Fuse Size (Amp)	200
Number of Pumps			2	3	4	5	6
Enclosure Size w/fuse holders			47"x40"x12"	Multiple Panels	Multiple Panels	Multiple Panels	Multiple Panels
Enclosure Size w/MCCB			N/A	N/A	N/A	N/A	N/A
Enclosure Size w/fused disconnect			40"x40"x12"	Multiple Panels	Multiple Panels	Multiple Panels	Multiple Panels

VSD connections only, Grundfos CUE VF 460-480VAC, all motors, up to 6 pumps for DA or Surge, and up to 2 Pumps for Condensate tanks

Feedwater Motor (HP)	2	Drive Input Current (Amp)	3.4	Drive MCCB Size (Amp)	15	Drive LPJ Fuse Size (Amp)	10
Number of Pumps			2	3	4	5	6
Enclosure Size w/fuse holders			24"x24"x10"	24"x24"x10"	24"x24"x10"	24"x24"x10"	24"x24"x10"
Enclosure Size w/MCCB			24"x24"x10"	24"x24"x10"	32"x24"x10"	32"x32"x10"	32"x32"x10"
Enclosure Size w/fused disconnect			24"x24"x10"	32"x24"x10"	32"x32"x10"	32"x32"x10"	40"x32"x10"
Feedwater Motor (HP)	3	Drive Input Current (Amp)	4.8	Drive MCCB Size (Amp)	15	Drive LPJ Fuse Size (Amp)	20
Number of Pumps			2	3	4	5	6
Enclosure Size w/fuse holders			24"x24"x10"	24"x24"x10"	24"x24"x10"	24"x24"x10"	24"x24"x10"
Enclosure Size w/MCCB			24"x24"x10"	24"x24"x10"	32"x24"x10"	32"x32"x10"	32"x32"x10"
Enclosure Size w/fused disconnect			24"x24"x10"	32"x24"x10"	32"x32"x10"	40"x32"x10"	40"x32"x10"
Feedwater Motor (HP)	5	Drive Input Current (Amp)	8.2	Drive MCCB Size (Amp)	25	Drive LPJ Fuse Size (Amp)	20
Number of Pumps			2	3	4	5	6
Enclosure Size w/fuse holders			24"x24"x10"	24"x24"x10"	24"x24"x10"	24"x24"x10"	24"x24"x10"
Enclosure Size w/MCCB			24"x24"x10"	24"x24"x10"	32"x24"x10"	32"x32"x10"	32"x32"x10"
Enclosure Size w/fused disconnect			24"x24"x10"	32"x24"x10"	32"x32"x10"	40"x32"x10"	40"x32"x10"
Feedwater Motor (HP)	7.5	Drive Input Current (Amp)	11	Drive MCCB Size (Amp)	30	Drive LPJ Fuse Size (Amp)	30
Number of Pumps			2	3	4	5	6
Enclosure Size w/fuse holders			24"x24"x10"	24"x24"x10"	24"x24"x10"	24"x24"x10"	24"x24"x10"
Enclosure Size w/MCCB			24"x24"x10"	24"x24"x10"	32"x24"x10"	32"x32"x10"	32"x32"x10"
Enclosure Size w/fused disconnect			24"x24"x10"	32"x24"x10"	32"x32"x10"	40"x32"x10"	40"x32"x10"
Feedwater Motor (HP)	10	Drive Input Current (Amp)	14.5	Drive MCCB Size (Amp)	40	Drive LPJ Fuse Size (Amp)	30
Number of Pumps			2	3	4	5	6
Enclosure Size w/fuse holders			24"x24"x10"	24"x24"x10"	24"x24"x10"	24"x24"x10"	32"x24"x10"
Enclosure Size w/MCCB			24"x24"x10"	24"x24"x10"	32"x24"x10"	32"x32"x10"	32"x32"x10"
Enclosure Size w/fused disconnect			24"x24"x10"	32"x24"x10"	32"x32"x10"	40"x32"x10"	40"x40"x12"
Feedwater Motor (HP)	15	Drive Input Current (Amp)	21	Drive MCCB Size (Amp)	60	Drive LPJ Fuse Size (Amp)	40
Number of Pumps			2	3	4	5	6
Enclosure Size w/fuse holders			24"x24"x10"	24"x24"x10"	32"x24"x10"	32"x32"x10"	32"x32"x10"
Enclosure Size w/MCCB			24"x24"x10"	24"x24"x10"	32"x32"x10"	32"x32"x10"	32"x32"x10"
Enclosure Size w/fused disconnect			32"x24"x10"	32"x32"x10"	40"x32"x10"	40"x32"x10"	40"x40"x12"
Feedwater Motor (HP)	20	Drive Input Current (Amp)	27	Drive MCCB Size (Amp)	70	Drive LPJ Fuse Size (Amp)	40
Number of Pumps			2	3	4	5	6
Enclosure Size w/fuse holders			24"x24"x10"	24"x24"x10"	32"x24"x10"	32"x32"x10"	32"x32"x10"
Enclosure Size w/MCCB			24"x24"x10"	24"x24"x10"	32"x32"x10"	32"x32"x10"	32"x32"x10"
Enclosure Size w/fused disconnect			32"x24"x10"	32"x32"x10"	40"x32"x10"	40"x32"x10"	40"x40"x12"

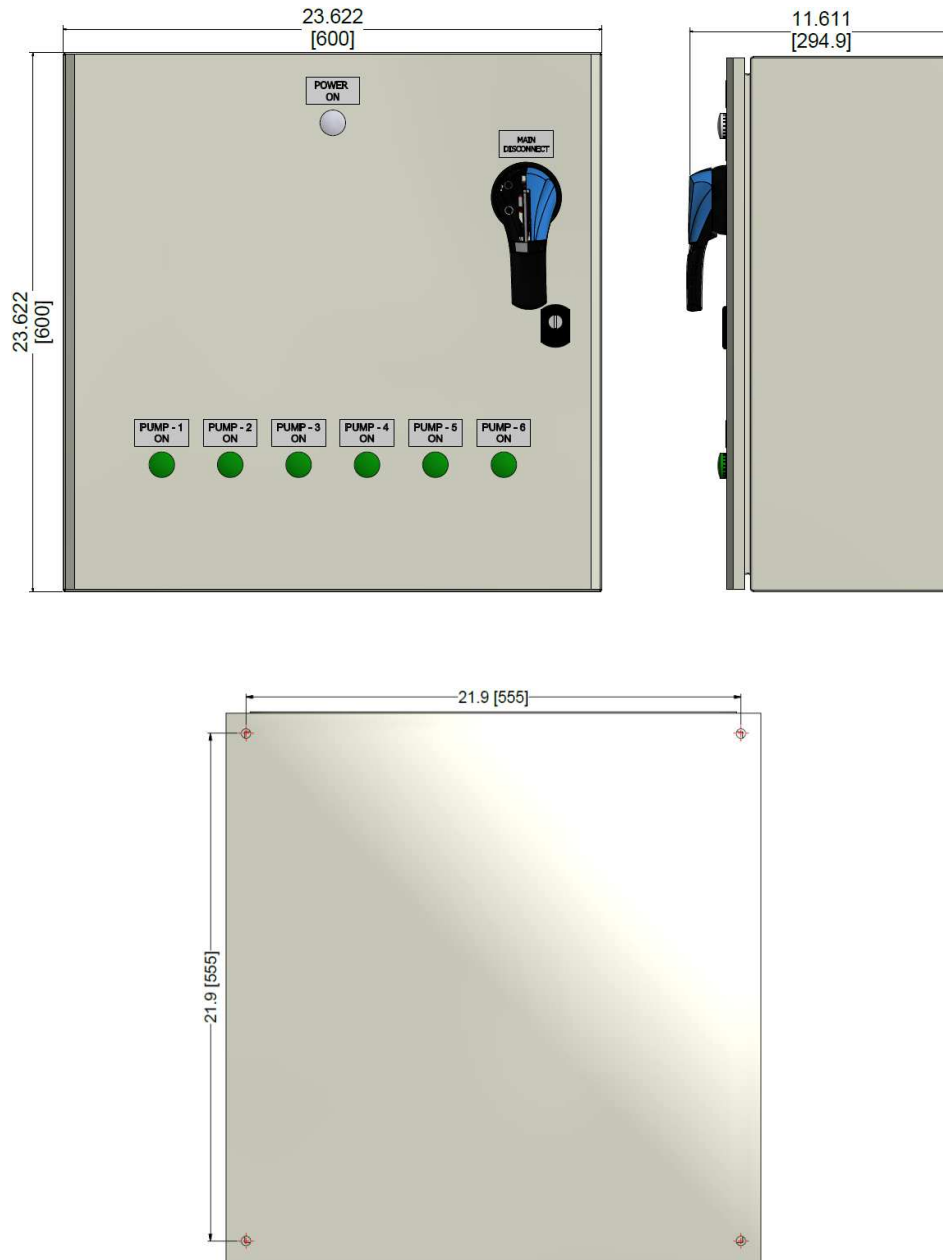
VSD connections only, Grundfos CUE VF 460-480VAC, all motors, up to 6 pumps for DA or Surge, and up to 2 Pumps for Condensate tanks (continued)

Feedwater Motor (HP)	25	Drive Input Current (Amp)	34	Drive MCCB Size (Amp)	90	Drive LPJ Fuse Size (Amp)	50
Number of Pumps			2	3	4	5	6
Enclosure Size w/fuse holders			24"x24"x10"	32"x24"x10"	32"x24"x10"	32"x32"x10"	40"x32"x10"
Enclosure Size w/MCCB			24"x24"x10"	32"x24"x10"	32"x32"x10"	32"x32"x10"	40"x40"x12"
Enclosure Size w/fused disconnect			32"x24"x10"	32"x32"x10"	40"x32"x10"	40"x32"x10"	47"x40"x12"
<hr/>							
Feedwater Motor (HP)	30	Drive Input Current (Amp)	40	Drive MCCB Size (Amp)	100	Drive LPJ Fuse Size (Amp)	60
Number of Pumps			2	3	4	5	6
Enclosure Size w/fuse holders			24"x24"x10"	32"x24"x10"	32"x24"x10"	40"x32"x10"	40"x32"x10"
Enclosure Size w/MCCB			24"x24"x10"	32"x24"x10"	32"x32"x10"	40"x32"x10"	40"x40"x12"
Enclosure Size w/fused disconnect			32"x24"x10"	32"x32"x10"	40"x32"x10"	40"x40"x12"	47"x40"x12"
<hr/>							
Feedwater Motor (HP)	40	Drive Input Current (Amp)	52	Drive MCCB Size (Amp)	150	Drive LPJ Fuse Size (Amp)	80
Number of Pumps			2	3	4	5	6
Enclosure Size w/fuse holders			32"x32"x10"	40"x32"x10"	47"x40"x12"	47"x40"x12"	47"x40"x12"
Enclosure Size w/MCCB			32"x24"x10"	32"x24"x10"	40"x32"x10"	40"x32"x10"	40"x40"x12"
Enclosure Size w/fused disconnect			32"x32"x10"	32"x32"x10"	40"x32"x10"	40"x40"x12"	47"x40"x12"
<hr/>							
Feedwater Motor (HP)	50	Drive Input Current (Amp)	65	Drive MCCB Size (Amp)	N/A	Drive LPJ Fuse Size (Amp)	100
Number of Pumps			2	3	4	5	6
Enclosure Size w/fuse holders			32"x32"x10"	47"x40"x12"	47"x40"x12"	47"x40"x12"	Multiple Panels
Enclosure Size w/MCCB			N/A	N/A	N/A	N/A	N/A
Enclosure Size w/fused disconnect			32"x32"x10"	40"x40"x12"	40"x40"x12"	40"x40"x12"	Multiple Panels
<hr/>							
Feedwater Motor (HP)	60	Drive Input Current (Amp)	80	Drive MCCB Size (Amp)	N/A	Drive LPJ Fuse Size (Amp)	125
Number of Pumps			2	3	4	5	6
Enclosure Size w/fuse holders			47"x40"x12"	47"x40"x12"	47"x40"x12"	Multiple Panels	Multiple Panels
Enclosure Size w/MCCB			N/A	N/A	N/A	N/A	N/A
Enclosure Size w/fused disconnect			40"x40"x12"	47"x40"x12"	47"x40"x12"	Multiple Panels	Multiple Panels

Dimensions

Dimensions in inches; millimeters in brackets

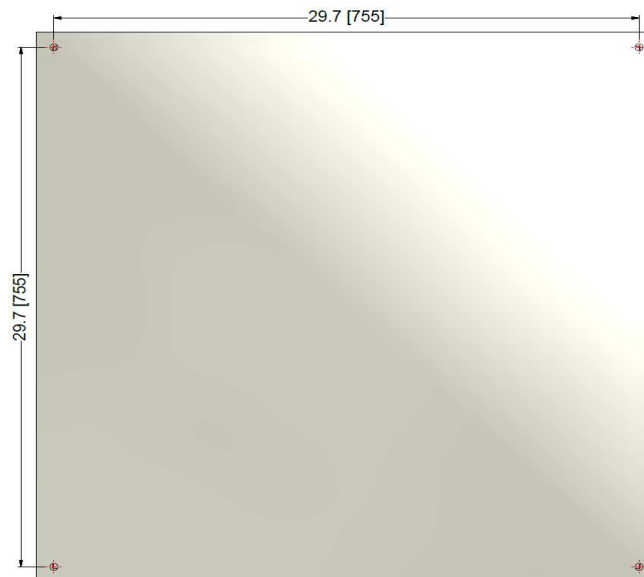
24" x 24" x 10" Combustion Enclosure



Dimensions (continued)

Dimensions in inches; millimeters in brackets

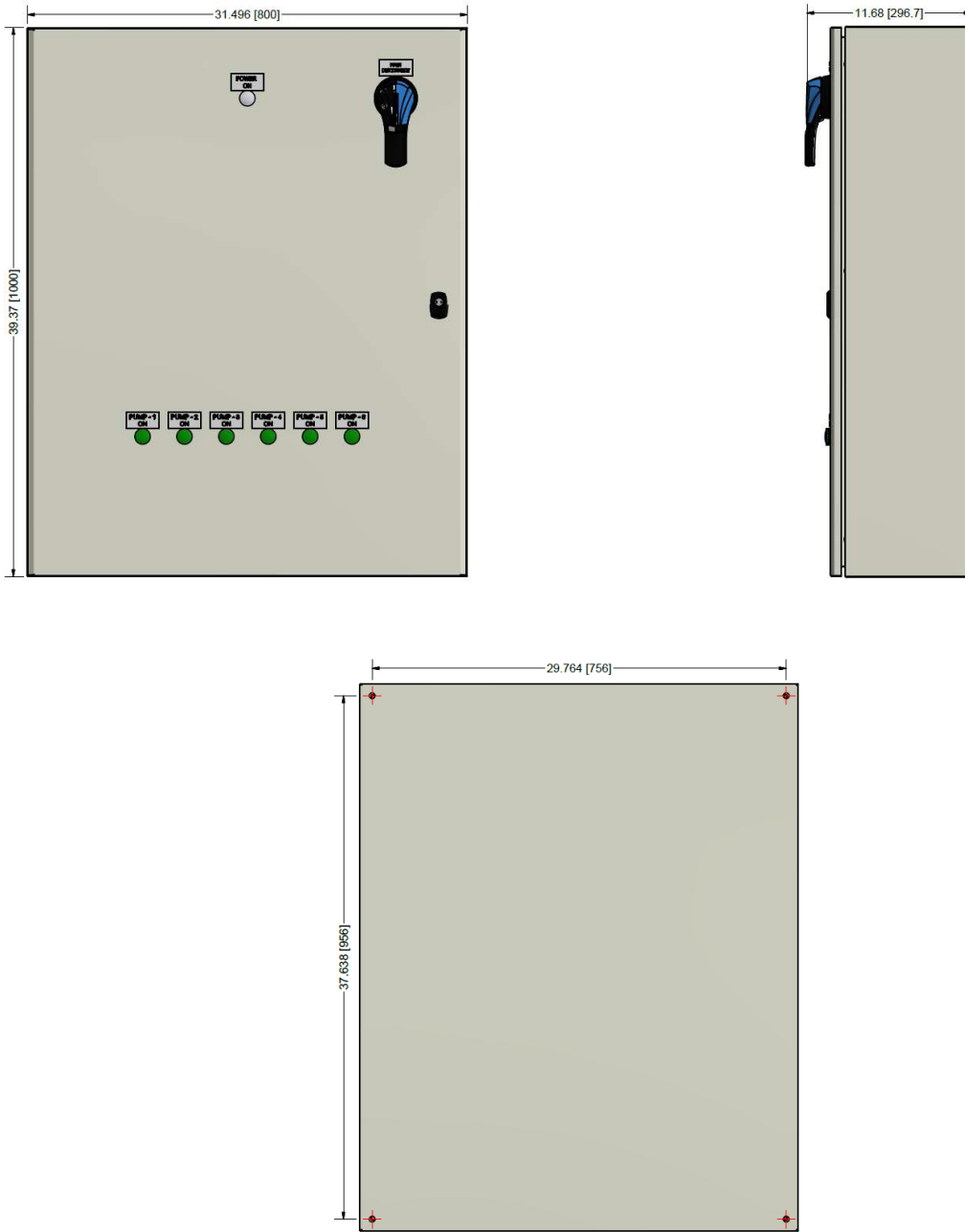
32" x 32" x 10" Combustion Enclosure



Dimensions (continued)

Dimensions in inches; millimeters in brackets

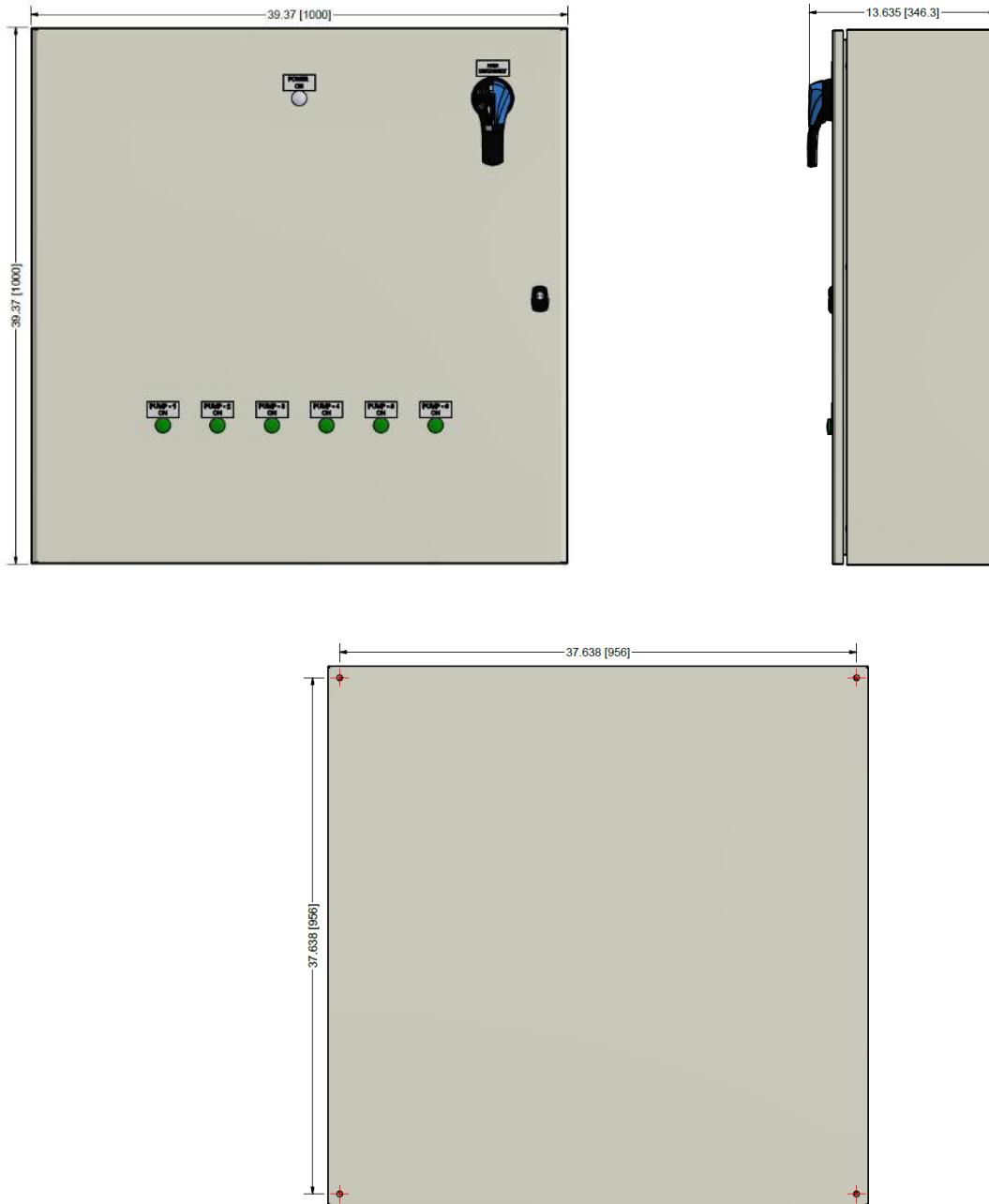
40" x 32" x 10" Combustion Enclosure



Dimensions (continued)

Dimensions in inches; millimeters in brackets

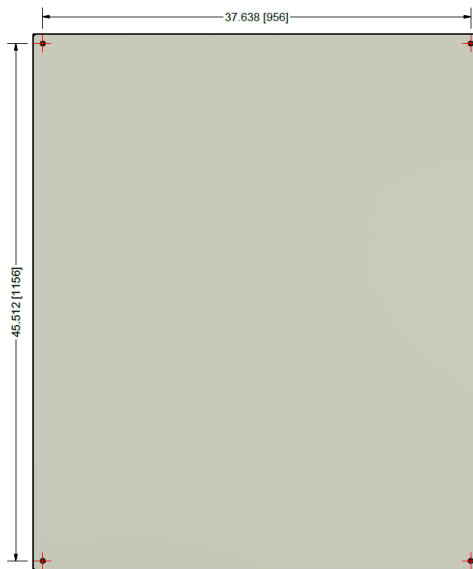
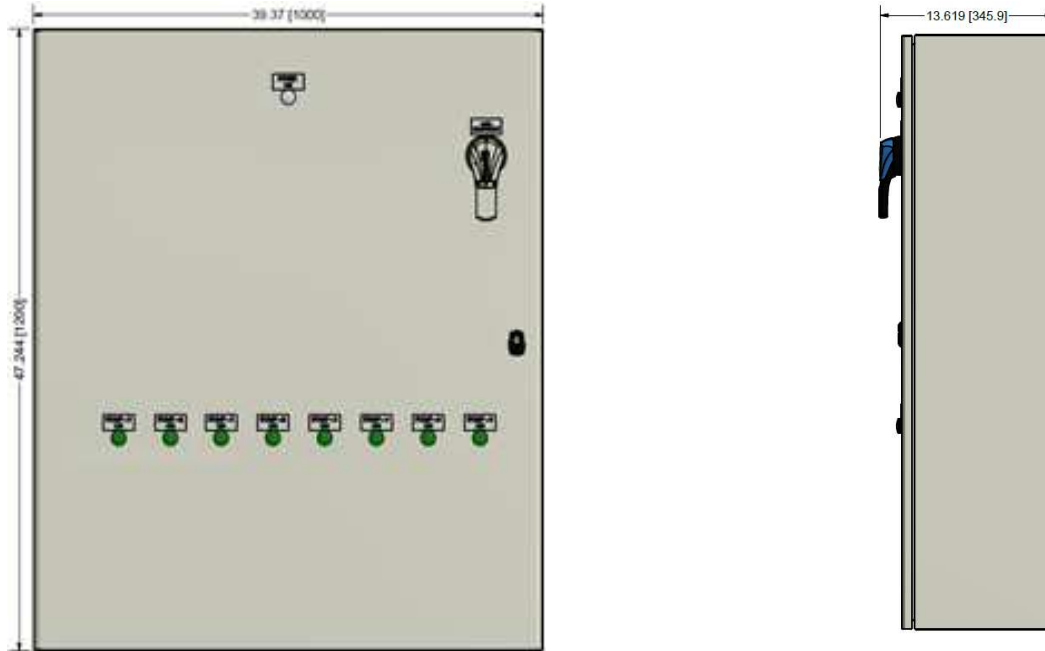
40" x 40" x 12" Combustion Enclosure



Dimensions (continued)

Dimensions in inches; millimeters in brackets

47" x 40" x 12" Combustion Enclosure



Information in this publication is based on current specifications. The company reserves the right to make changes in specifications and models as design improvements are introduced. Product or company names mentioned herein may be the trademarks of their respective owners. © 2018 SCC Inc.