

VKG...U Series 1/2" to 4" Butterfly Valves

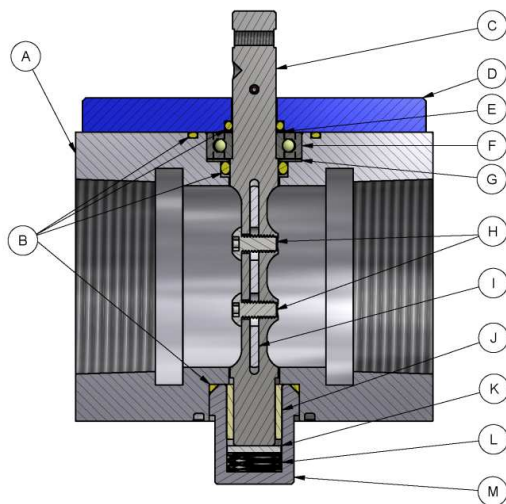
Product Description

VKG...U series NPT threaded butterfly valves control the flow of natural gas, propane, butane, hydrogen, or air. Full, medium, and reduced port sizes are offered to optimize control and ease of installation. Valves are positioned using a manual kit, crank arm kit, or rotary actuator. Exclusive, patented technology*

Technical Specifications

Body Sizes	1/2", 3/4", 1", 1-1/4", 1-1/2", 2", 2-1/2", 3", 4"	
Body Material	Aluminum 6061-T6	
Connection	Threaded NPT	
Port	1/2" and 3/4"	Full port
	1-1/4"	Full or medium port
	1", 1-1/2" through 4"	Full, medium, or reduced port
Operating Pressure Rating	1/2"	80 psig operating pressure
	3/4" through 3"	25 psig operating pressure
	4" medium or reduced port	25 psig operating pressure
	4" full port	15 psig operating pressure
Surge Pressure Rating	1/2"	240 psig surge pressure
	3/4" through 4"	75 psig surge pressure
Turndown	100+:1	
Temperature Range	-40° to 160° F	

Materials

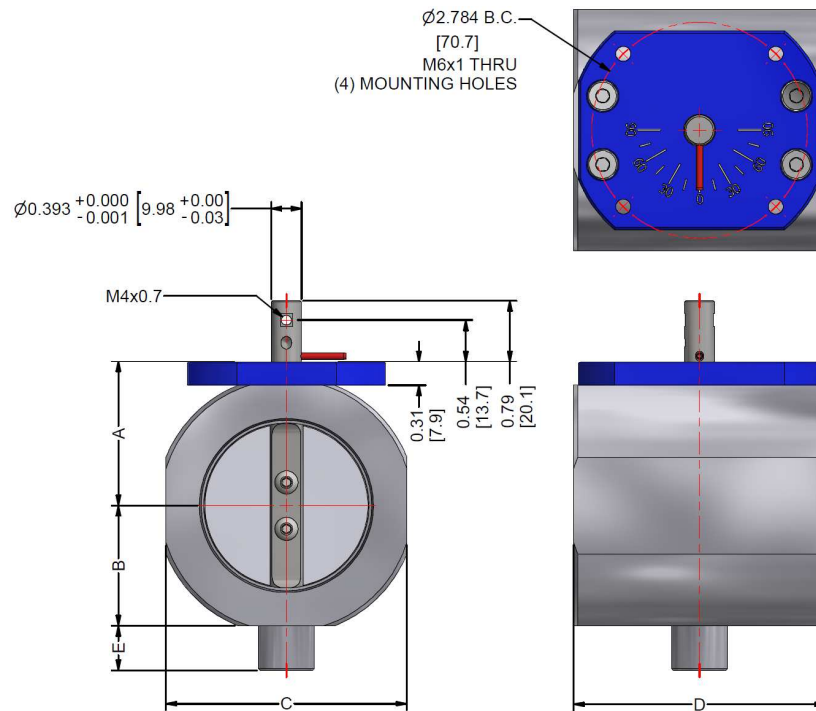


Item	Description	Material
A	Valve body	Aluminum-6061
B	Seal	Buna-N
C	Shaft	Stainless Steel (300-series)
D	Dial	Aluminum-6061
E	Shim	Teflon
F	Bearing (ball)	Steel
G	Shim	Stainless Steel
H	Fastener	Steel (Zinc-plated)
I	Disc	Stainless Steel (300-series)
J	Bearing (sleeve)	Acetal
K	Bearing (thrust)	Acetal
L	Spring	Stainless Steel (17-4 PH)
M	Plug	Aluminum-6061

*Patented under US Patent No. 9,915,352

Dimensions

Dimensions in inches [mm]



Part Number	Weight - lb [kg]
VKG10.014U	1.50 [0.68]
VKG10.020U	1.41 [0.64]
VKG10.025U	1.29 [0.59]
VKG10.032U	1.51 [0.68]
VKG10.040U	1.59 [0.72]
VKG10.050U	1.84 [0.83]
VKG10.065U	3.09 [1.40]
VKG10.080U	3.35 [1.52]
VKG10.100U	4.83 [2.19]
VKG20.025U	1.33 [0.60]
VKG20.032U	1.58 [0.72]
VKG20.040U	1.63 [0.74]
VKG20.050U	1.97 [0.89]
VKG20.065U	3.34 [1.51]
VKG20.080U	3.68 [1.67]
VKG20.100U	5.63 [2.55]
VKG30.025U	1.38 [0.63]
VKG30.040U	1.70 [0.77]
VKG30.050U	2.01 [0.91]
VKG30.065U	3.53 [1.60]
VKG30.080U	3.92 [1.78]
VKG30.100U	6.02 [2.73]

Part Number	A	B	C	D	E
VKG10.014U	1.35 [34]	1.12 [29]	2.08 [53]	3.25 [83]	0.21 [5]
VKG10.020U	1.35 [34]	1.04 [26]	2.08 [53]	3.25 [83]	0.58 [15]
VKGx0.025U	1.35 [34]	1.04 [26]	2.08 [53]	3.25 [83]	0.58 [15]
VKGx0.032U	1.53 [39]	1.22 [31]	2.44 [62]	3.25 [83]	0.58 [15]
VKGx0.040U	1.63 [41]	1.31 [33]	2.63 [67]	3.25 [83]	0.58 [15]
VKGx0.050U	1.87 [47]	1.55 [39]	3.11 [79]	3.25 [83]	0.58 [15]
VKGx0.065U	2.18 [55]	1.87 [47]	3.74 [95]	4.38 [111]	0.58 [15]
VKGx0.080U	2.44 [62]	2.13 [54]	4.26 [108]	4.38 [111]	0.58 [15]
VKGx0.100U	2.96 [75]	2.64 [67]	5.28 [134]	5.00 [127]	0.58 [15]

Information in this publication is based on current specifications. The company reserves the right to make changes in specifications and models as design improvements are introduced. Product or company names mentioned herein may be the trademarks of their respective owners. © 2023 SCC Inc.