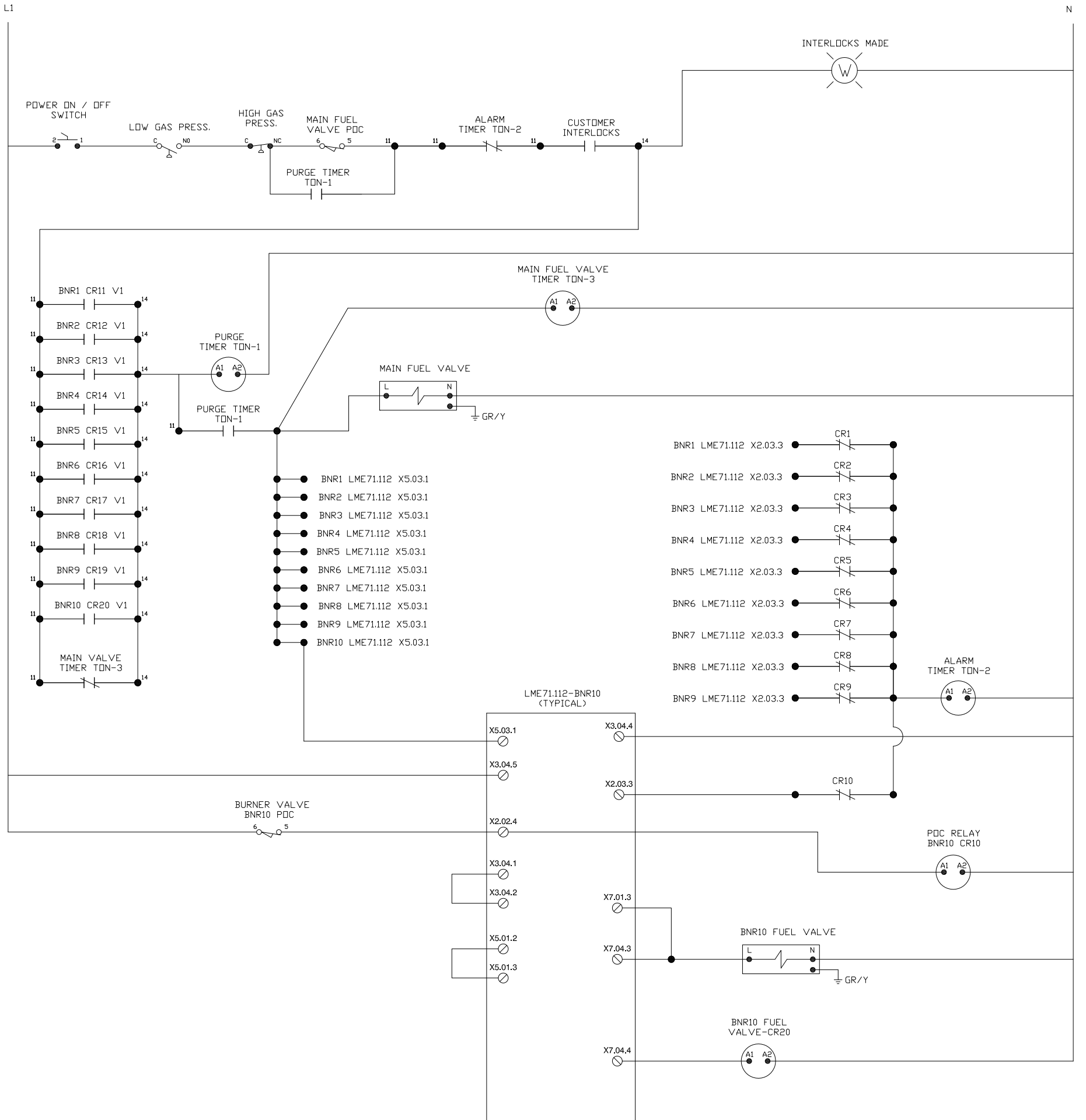


REVISION HISTORY

REV.	DATE	DESCRIPTION
2	2-18-20	Changed normal state of relays CR1 to CR10
3	4-8-20	Added jumpers to LME71



REV. 3

LEGEND :  
 PANEL TERMINAL = ○  
 DEVICE TERMINAL = ●  
 FLAME SAFEGUARD TERMINAL = ⊗  
 CUSTOMER CONNECTION = ⊗

WIRE LABEL : 1-BK12 ( WIRE 1, BLACK, 12 AWG)  
 PANEL WIRING = \_\_\_\_\_  
 EXTENSION WIRING = - - - - -

**SCC Inc.**  
 Elk Grove Village, IL 60007  
 PH# 224-366-8445

DESCRIPTION  
**MULTI-BURNER FURNACE**  
**LME71.112A1PKG**

ENGINEER: AMZ  
 DRAWN BY: PSP  
 CHECKED BY: DJL

DATE ORIGINATED  
 2-13-20

PART / DRAWING #

SHEET  
 1 of 1

05