

**VRG...U Series
1/2" to 4" Butterfly Valves**

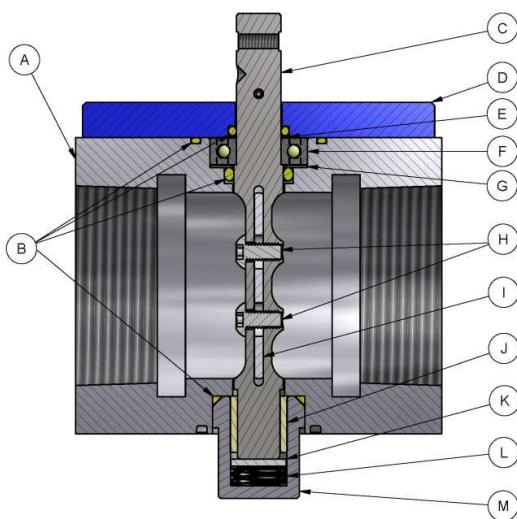
Product Description

VRG...U series NPT threaded butterfly valves control the flow of biogas. Full, medium, and reduced port sizes are offered to optimize control and ease of installation. Valves are positioned using a manual kit, crank arm kit, or rotary actuator.

Technical Specifications

Body Sizes	1/2", 3/4", 1", 1-1/4", 1-1/2", 2", 2-1/2", 3", 4"	
Body Material	Aluminum 6061-T6 billet	
Connection	Threaded NPT	
Port	1/2" and 3/4"	Full port
	1" and 1-1/4"	Full or medium port
	1-1/2" through 4"	Full, medium, or reduced port
Operating Pressure Rating	1/2" through 3"	25 PSI operating pressure
	4" medium or reduced port	25 PSI operating pressure
	4" full port	15 PSI operating pressure
Surge Pressure Rating	1/2" through 4"	75 PSI surge pressure
Turndown	100+:1	
Temperature Range	-20° to 160° F	

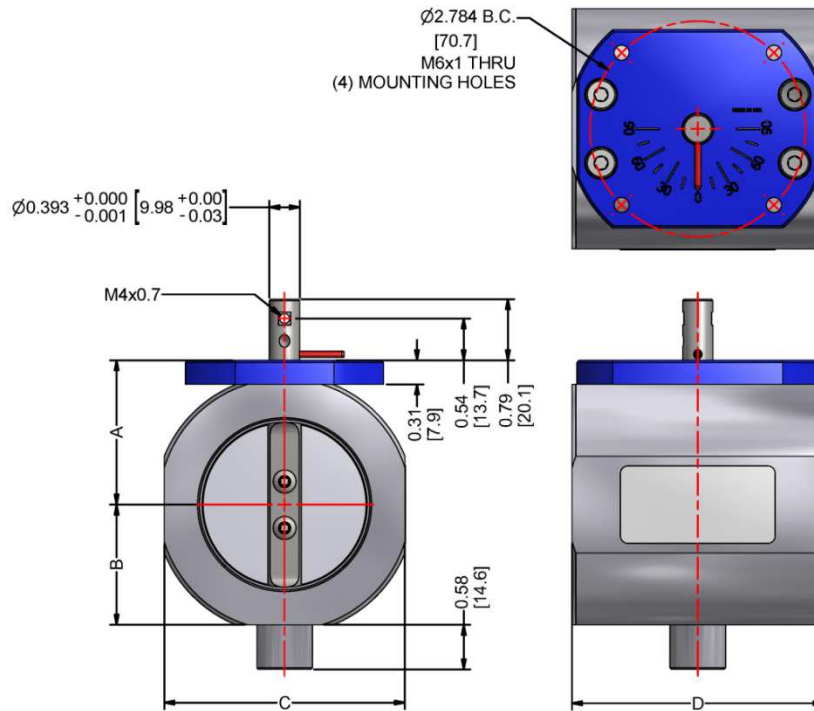
Materials



Item	Description	Material
A	Valve body	Aluminum-6061
B	Seal	HNBR
C	Shaft	Stainless Steel (300-series)
D	Dial	Aluminum-6061
E	Shim	Teflon
F	Bearing (ball)	Steel
G	Shim	Stainless Steel
H	Fastener	Stainless Steel
I	Disk	Stainless Steel (300-series)
J	Bearing (sleeve)	Acetal
K	Bearing (thrust)	Acetal
L	Spring	Stainless Steel (17-4 PH)
M	Plug	Aluminum-6061

Dimensions

Dimensions in inches; millimeters in brackets



Part Number	Weight - lb [kg]
VRG10.015U	1.50 [0.68]
VRG10.020U	1.41 [0.64]
VRG10.025U	1.29 [0.59]
VRG10.032U	1.51 [0.68]
VRG10.040U	1.59 [0.72]
VRG10.050U	1.84 [0.83]
VRG10.065U	3.09 [1.40]
VRG10.080U	3.35 [1.52]
VRG10.100U	4.83 [2.19]
VRG20.025U	1.33 [0.60]
VRG20.032U	1.58 [0.72]
VRG20.040U	1.63 [0.74]
VRG20.050U	1.97 [0.89]
VRG20.065U	3.34 [1.51]
VRG20.080U	3.68 [1.67]
VRG20.100U	5.63 [2.55]
VRG30.040U	1.70 [0.77]
VRG30.050U	2.01 [0.91]
VRG30.065U	3.53 [1.60]
VRG30.080U	3.92 [1.78]
VRG30.100U	6.02 [2.73]

Part Number	A	B	C	D
VRGxx.015U	1.35 [34]	1.04 [26]	2.08 [53]	3.25 [83]
VRGxx.020U	1.35 [34]	1.04 [26]	2.08 [53]	3.25 [83]
VRGxx.025U	1.35 [34]	1.04 [26]	2.08 [53]	3.25 [83]
VRGxx.032U	1.53 [39]	1.22 [31]	2.44 [62]	3.25 [83]
VRGxx.040U	1.63 [41]	1.31 [33]	2.63 [67]	3.25 [83]
VRGxx.050U	1.87 [47]	1.55 [39]	3.11 [79]	3.25 [83]
VRGxx.065U	2.18 [55]	1.87 [47]	3.74 [95]	4.38 [111]
VRGxx.080U	2.44 [62]	2.13 [54]	4.26 [108]	4.38 [111]
VRGxx.100U	2.96 [75]	2.64 [67]	5.28 [134]	5.00 [127]

Information in this publication is based on current specifications. The company reserves the right to make changes in specifications and models as design improvements are introduced. Product or company names mentioned herein may be the trademarks of their respective owners. © 2009 SCC Inc.