

**VRG...U Series  
1/2" to 4" Butterfly Valves**

**Product Description**

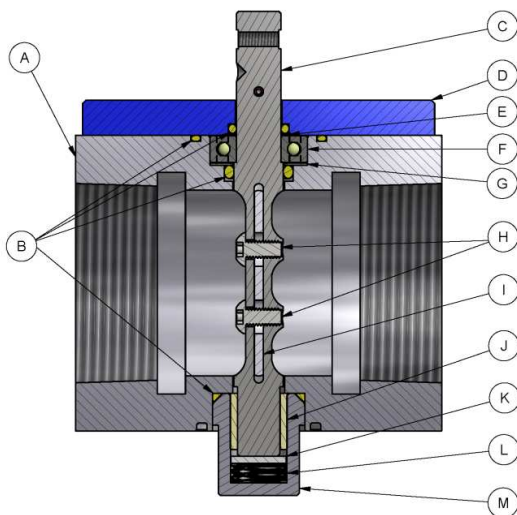
VRG...U series NPT threaded butterfly valves control the flow of biogas. Full, medium, and reduced port sizes are offered to optimize control and ease of installation. Valves are positioned using a manual kit, crank arm kit, or rotary actuator.

Exclusive, patented technology\*

**Technical Specifications**

<b>Body Sizes</b>	1/2", 3/4", 1", 1-1/4", 1-1/2", 2", 2-1/2", 3", 4"	
<b>Body Material</b>	Aluminum 6061-T6 billet	
<b>Connection</b>	Threaded NPT	
<b>Port</b>	1/2" and 3/4"	Full port
	1" and 1-1/4"	Full or medium port
	1-1/2" through 4"	Full, medium, or reduced port
<b>Operating Pressure Rating</b>	1/2" through 3"	25 PSI operating pressure
	4" medium or reduced port	25 PSI operating pressure
	4" full port	15 PSI operating pressure
<b>Surge Pressure Rating</b>	1/2" through 4"	75 PSI surge pressure
<b>Turndown</b>	100+:1	
<b>Temperature Range</b>	-20° to 160° F	

**Materials**

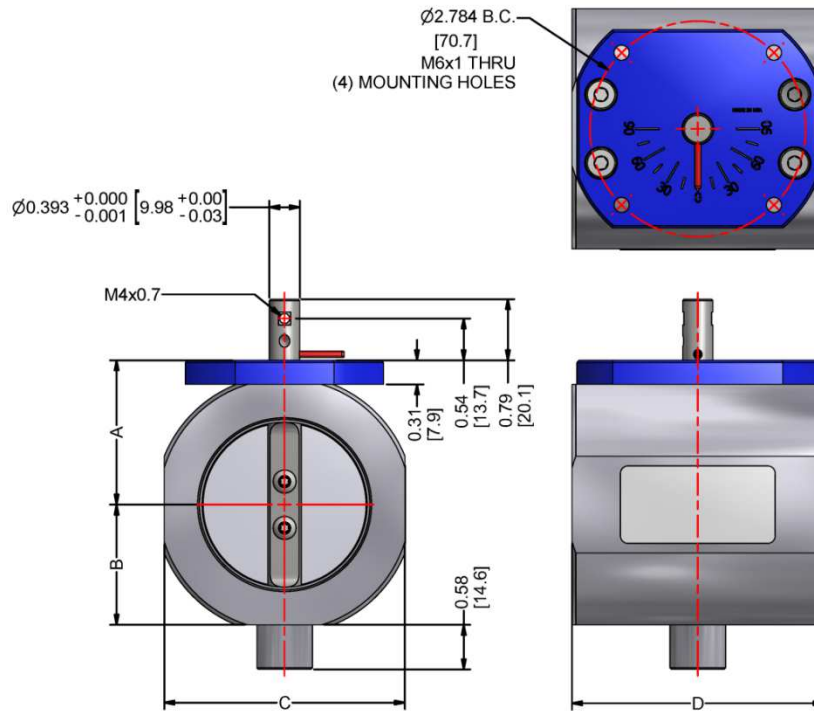


Item	Description	Material
A	Valve body	Aluminum-6061
B	Seal	HNBR
C	Shaft	Stainless Steel (300-series)
D	Dial	Aluminum-6061
E	Shim	Teflon
F	Bearing (ball)	Steel
G	Shim	Stainless Steel
H	Fastener	Stainless Steel
I	Disk	Stainless Steel (300-series)
J	Bearing (sleeve)	Acetal
K	Bearing (thrust)	Acetal
L	Spring	Stainless Steel (17-4 PH)
M	Plug	Aluminum-6061

\*Patented under US Patent No. 9,915,352

## Dimensions

Dimensions in inches; millimeters in brackets



Part Number	Weight - lb [kg]
VRG10.015U	1.50 [0.68]
VRG10.020U	1.41 [0.64]
VRG10.025U	1.29 [0.59]
VRG10.032U	1.51 [0.68]
VRG10.040U	1.59 [0.72]
VRG10.050U	1.84 [0.83]
VRG10.065U	3.09 [1.40]
VRG10.080U	3.35 [1.52]
VRG10.100U	4.83 [2.19]
VRG20.025U	1.33 [0.60]
VRG20.032U	1.58 [0.72]
VRG20.040U	1.63 [0.74]
VRG20.050U	1.97 [0.89]
VRG20.065U	3.34 [1.51]
VRG20.080U	3.68 [1.67]
VRG20.100U	5.63 [2.55]
VRG30.040U	1.70 [0.77]
VRG30.050U	2.01 [0.91]
VRG30.065U	3.53 [1.60]
VRG30.080U	3.92 [1.78]
VRG30.100U	6.02 [2.73]

Part Number	A	B	C	D
VRGxx.015U	1.35 [34]	1.04 [26]	2.08 [53]	3.25 [83]
VRGxx.020U	1.35 [34]	1.04 [26]	2.08 [53]	3.25 [83]
VRGxx.025U	1.35 [34]	1.04 [26]	2.08 [53]	3.25 [83]
VRGxx.032U	1.53 [39]	1.22 [31]	2.44 [62]	3.25 [83]
VRGxx.040U	1.63 [41]	1.31 [33]	2.63 [67]	3.25 [83]
VRGxx.050U	1.87 [47]	1.55 [39]	3.11 [79]	3.25 [83]
VRGxx.065U	2.18 [55]	1.87 [47]	3.74 [95]	4.38 [111]
VRGxx.080U	2.44 [62]	2.13 [54]	4.26 [108]	4.38 [111]
VRGxx.100U	2.96 [75]	2.64 [67]	5.28 [134]	5.00 [127]

Information in this publication is based on current specifications. The company reserves the right to make changes in specifications and models as design improvements are introduced. Product or company names mentioned herein may be the trademarks of their respective owners. © 2018 SCC Inc.