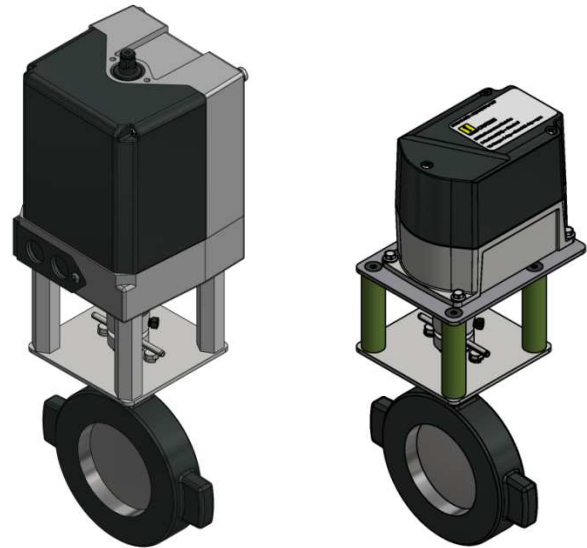


## VA Series

---

### VA...VKF Valve Actuator Assemblies with VKF Butterfly Valves



---

### Description

VA...VKF valve actuator assemblies include a Siemens SQM... actuator reliably mounted to a VKF... butterfly valve.

---

### Features

- Engineered for precise shaft alignment with less actuator wear
- High temperature VA...HT versions for FGR or hot air up to 550°F
- Biogas VA...B versions for corrosive gases such as biogas
- Rigid and robust design
- VKF valve sizes from 1-1/2" to 8"
- Includes Siemens SQM33, SQM40, SQM45, SQM48, or SQM5 actuator

---

### Application

VA...VKF valve actuator assemblies mount an SQM33, SQM40, SQM45, SQM48, or SQM5 actuator to a VKF... butterfly valve. The VKF... valve and SQM... actuator are rigidly mounted with Siemens engineered brackets and couplings to ensure precise shaft alignment. VKF technical instructions (CVLV-1000) provide sizing and additional valve information.

## Product Part Numbers

The following chart provides VA...VKF assembly part number identification including an SQM33, SQM40, SQM45, or SQM48 actuator. Technical instructions for SQM33 (N7813), SQM40 (N7817), or SQM45/48 (N7814) actuators are available at [www.scccombustion.com](http://www.scccombustion.com).

		VA	48.4	-	2.0	VKF	-	HT	-	N4
<b>Valve Actuator Assembly</b>										
<b>Actuator</b>										
33	= SQM33.550A9 (stepper, for use with LMV3...)									
40.11	= SQM40.115R11 (12.5 sec, 135 Ohm/4-20 mA, high/low fire feedback)									
40.15	= SQM40.155R11 (12.5 sec, 4-20 mA, independent aux switch)									
40.18	= SQM40.185R11 (12.5 sec, 3-position, 3 independent aux switches)									
40.21	= SQM40.215R11 (25 sec, 135 Ohm/4-20 mA, high/low fire feedback)									
40.25	= SQM40.255R11 (25 sec, 4-20 mA, independent aux switch)									
40.26	= SQM40.265R11 (25 sec, 3-position, high/low fire feedback)									
40.27	= SQM40.275R10 (25 sec, high/low basic version)									
40.28	= SQM40.285R11 (25 sec, 3-position, 3 independent aux switches)									
45.2	= SQM45.295B9 (stepper, for use with LMV5...)									
48.4	= SQM48.497B9 (stepper, for use with LMV5...)									
48.6	= SQM48.697B9 (stepper, for use with LMV5...)									
<b>Voltage</b>										
Blank	= 120 Vac SQM40 or standard SQM33, SQM45, or SQM48									
(220)	= 220 Vac (not available for SQM33, SQM45, or SQM48 actuators)									
<b>Valve Size</b>										
1.5	= 1-1/2" VKF41.40...									
2.0	= 2" VKF41.50...									
2.5	= 2-1/2" VKF41.65...									
3.0	= 3" VKF41.80...									
4.0	= 4" VKF41.100...									
6.0	= 6" VKF41.150...									
8.0	= 8" VKF41.200...									
<b>VKF Valve</b>										
<b>Valve Type</b>										
Blank	= Standard VKF...C									
B	= Biogas VKF...B									
HT	= High-temp VKF...H									
<b>Actuator NEMA Rating</b>										
Blank	= NEMA 12 SQM33, SQM45, or SQM48; NEMA 4 SQM40									
N4	= NEMA 4 SQM33, SQM45, or SQM48									

## Product Part Numbers (continued)

The following chart provides VA...VKF assembly part number identification including an SQM50 actuator. Technical instructions for SQM5 (155-517) actuators are available at [www.scccombustion.com](http://www.scccombustion.com).

	VA	50	.	4	Z	7	-	4.0	VKF	-	-	N4
<b>Valve Actuator Assembly</b>												
<b>Actuator</b>												
50	= SQM50											
53	= SQM53											
56	= SQM56											
<b>Torque / Timing</b>												
2	= 10Nm & 8sec for 90° stroke (SQM50 only)											
3	= 15Nm & 12sec for 90° stroke (SQM50 only)											
4	= 15Nm (SQM50) or 20Nm (SQM53) & 25sec for 90° stroke											
5	= 30Nm & 37sec for 90° stroke (SQM56 only)											
6	= 40Nm & 50sec for 90° stroke (SQM56 only)											
<b>Control Board</b>												
Blank	= AGA56.41A... (4-20 mA input)											
A	= AGA56.1A97 (position proportional control)											
H	= AGA56.42A... (0-135 Ω input)											
K	= AGA56.43A... (0-10 Vdc input)											
Z	= AGA56.9... (all inputs/outputs)											
<b>Potentiometer</b>												
Blank	= ASZ12.30 (1000Ω, 90°) on "G", "H", "K", or "Z" board; none on "A" board											
3	= ASZ12.30 (1000Ω, 90°) on "A" board only											
7	= ASZ22.30 (1000Ω/1000Ω, 90°)											
<b>Voltage</b>												
Blank	= 120 Vac											
(220)	= 220 Vac											
(24)	= 24 Vac											
<b>Valve Size</b>												
1.5	= 1-1/2" VKF41.40...											
2.0	= 2" VKF41.50...											
2.5	= 2-1/2" VKF41.65...											
3.0	= 3" VKF41.80...											
4.0	= 4" VKF41.100...											
6.0	= 6" VKF41.150...											
8.0	= 8" VKF41.200...											
<b>VKF Valve</b>												
<b>Valve Type</b>												
Blank	= Standard VKF...C											
B	= Biogas VKF...B											
HT	= High-temp VKF...H											
<b>Actuator NEMA Rating</b>												
Blank	= NEMA 12											
N4	= NEMA 4											

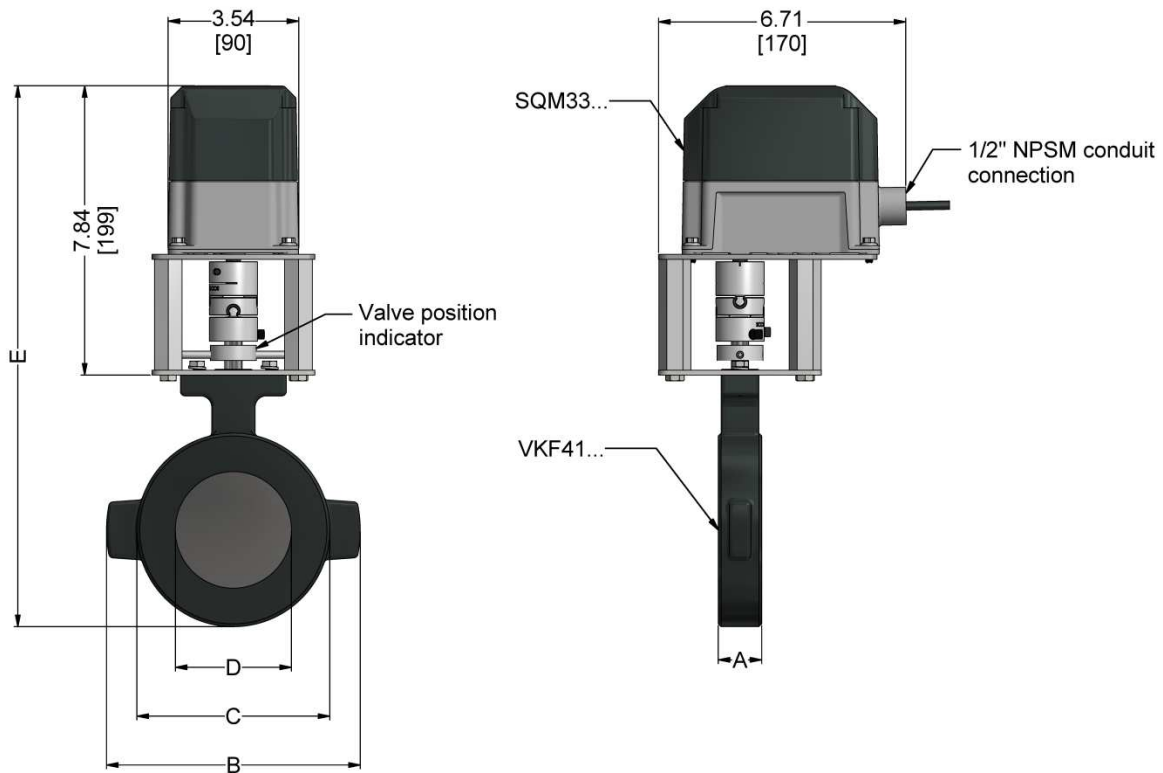
## Installation

- VKF... valves can accommodate flow in either direction. The VA...VKF assembly may be mounted in either direction for actuator wiring convenience.
- Assembly may be mounted in any position except upside down.
- Valve position indicator shows valve position after installation.

## Dimensions

Dimensions in inches; millimeters in brackets

### VA33...VKF Valve Actuator Assemblies



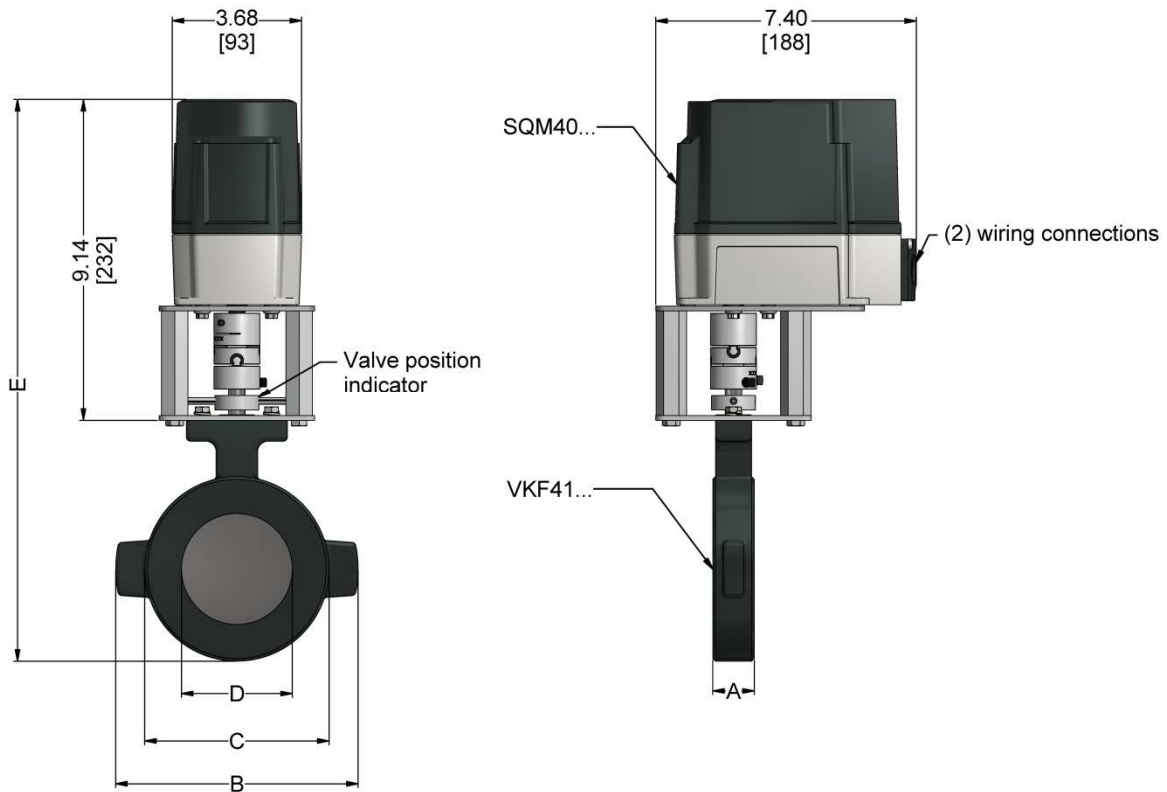
**Table 1: VA33...VKF Dimensions**

Valve Size	A	B	C	D	E
1-1/2"	1.18 [30]	5.12 [130]	3.43 [87]	1.57 [40]	12.97 [329]
2"	1.18 [30]	5.51 [140]	3.82 [97]	1.97 [50]	13.37 [340]
2-1/2"	1.18 [30]	6.30 [160]	4.61 [117]	2.56 [65]	14.06 [357]
3"	1.18 [30]	6.89 [175]	5.24 [133]	3.15 [80]	14.67 [373]
4"	1.18 [30]	7.68 [195]	6.02 [153]	3.94 [100]	15.45 [393]
6"	1.57 [40]	10.04 [255]	8.19 [208]	5.91 [150]	17.83 [453]
8"	1.57 [40]	12.20 [310]	10.35 [263]	7.87 [200]	19.90 [506]

## Dimensions (continued)

Dimensions in inches; millimeters in brackets

### VA40...VKF Valve Actuator Assemblies



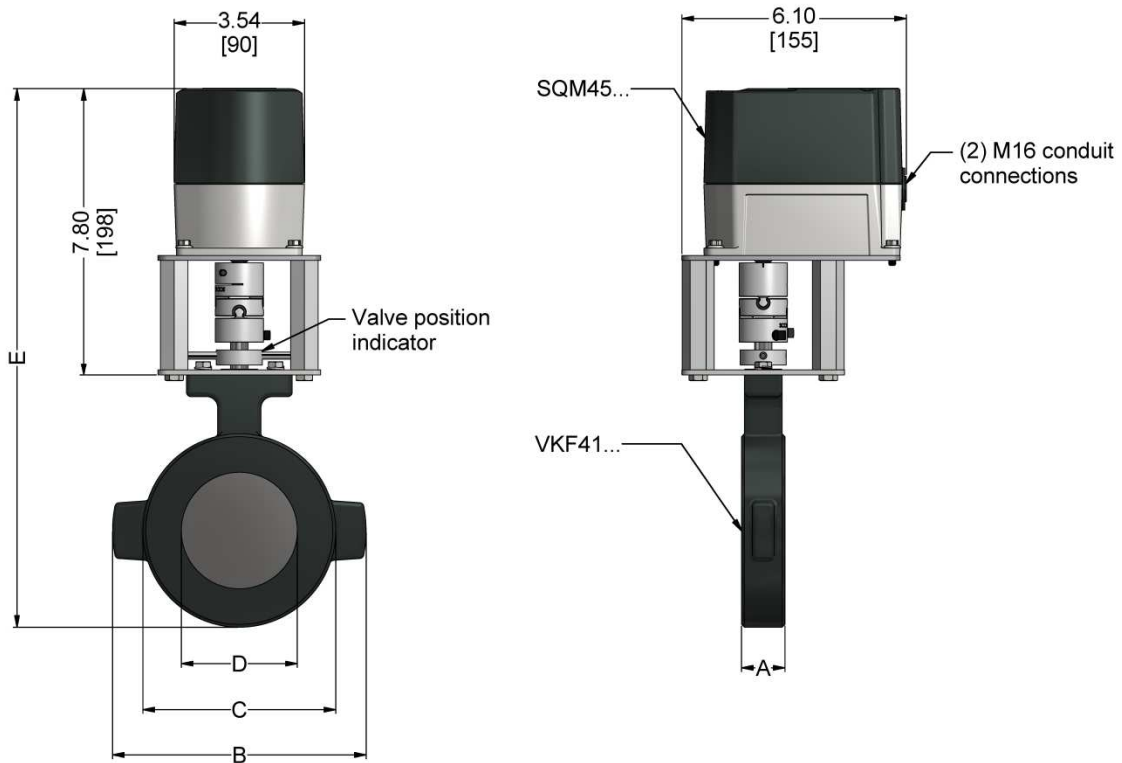
**Table 2: VA40...VKF Dimensions**

Valve Size	A	B	C	D	E
1-1/2"	1.18 [30]	5.12 [130]	3.43 [87]	1.57 [40]	14.27 [362]
2"	1.18 [30]	5.51 [140]	3.82 [97]	1.97 [50]	14.67 [373]
2-1/2"	1.18 [30]	6.30 [160]	4.61 [117]	2.56 [65]	15.36 [390]
3"	1.18 [30]	6.89 [175]	5.24 [133]	3.15 [80]	15.97 [406]
4"	1.18 [30]	7.68 [195]	6.02 [153]	3.94 [100]	16.75 [425]
6"	1.57 [40]	10.04 [255]	8.19 [208]	5.91 [150]	19.13 [486]
8"	1.57 [40]	12.20 [310]	10.35 [263]	7.87 [200]	21.20 [538]

## Dimensions (continued)

Dimensions in inches; millimeters in brackets

### VA45...VKF Valve Actuator Assemblies



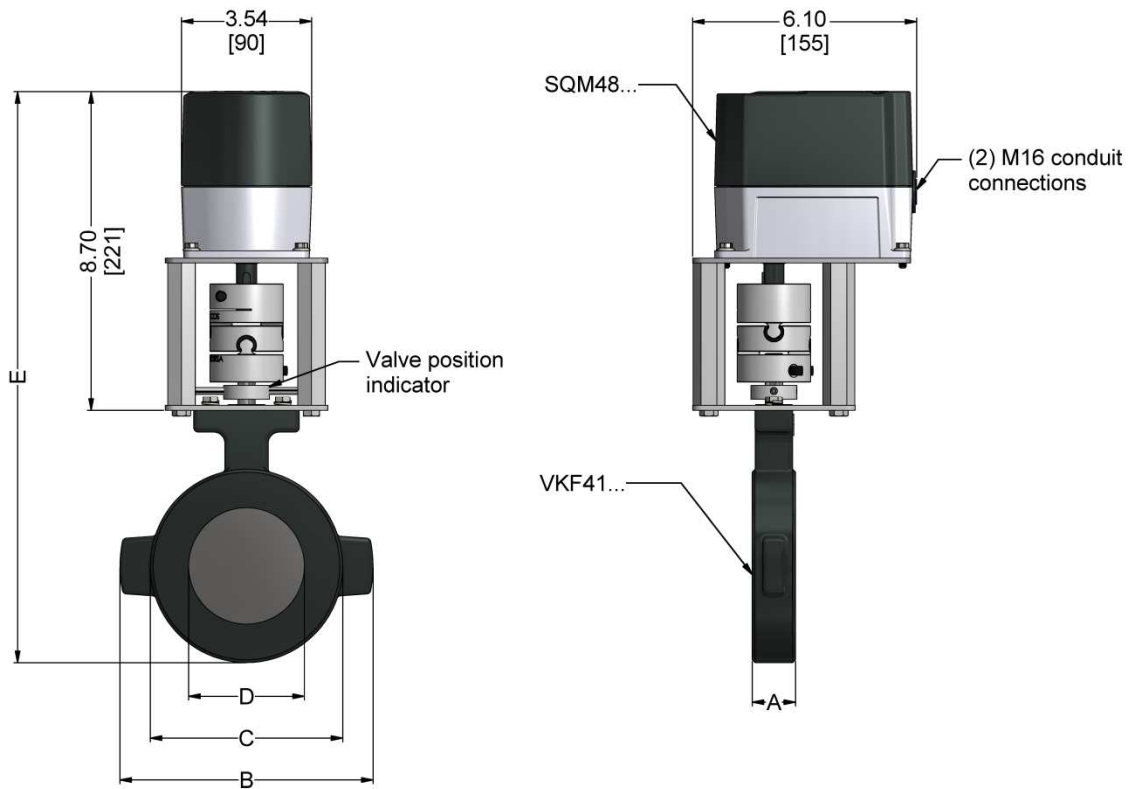
**Table 3: VA45...VKF Dimensions**

Valve Size	A	B	C	D	E
1-1/2"	1.18 [30]	5.12 [130]	3.43 [87]	1.57 [40]	12.93 [328]
2"	1.18 [30]	5.51 [140]	3.82 [97]	1.97 [50]	13.33 [339]
2-1/2"	1.18 [30]	6.30 [160]	4.61 [117]	2.56 [65]	14.02 [356]
3"	1.18 [30]	6.89 [175]	5.24 [133]	3.15 [80]	14.63 [372]
4"	1.18 [30]	7.68 [195]	6.02 [153]	3.94 [100]	15.41 [391]
6"	1.57 [40]	10.04 [255]	8.19 [208]	5.91 [150]	17.79 [452]
8"	1.57 [40]	12.20 [310]	10.35 [263]	7.87 [200]	19.86 [504]

## Dimensions (continued)

Dimensions in inches; millimeters in brackets

### VA48...VKF Valve Actuator Assemblies



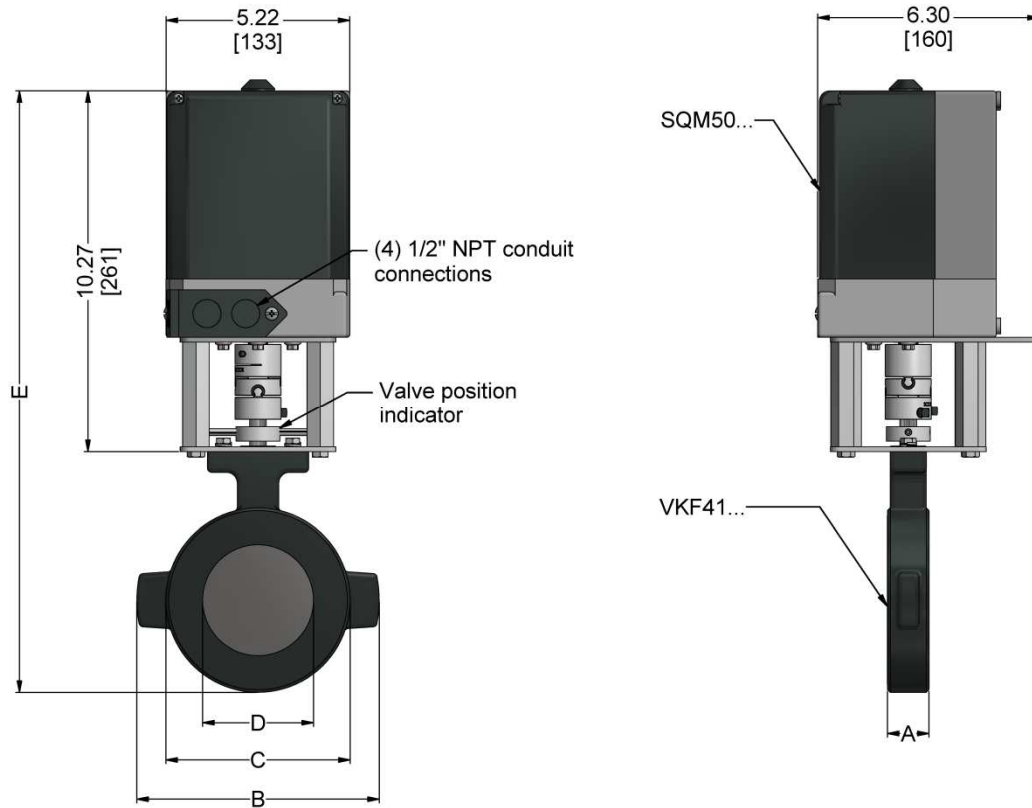
**Table 4: VA48...VKF Dimensions**

Valve Size	A	B	C	D	E
1-1/2"	1.18 [30]	5.12 [130]	3.43 [87]	1.57 [40]	13.83 [351]
2"	1.18 [30]	5.51 [140]	3.82 [97]	1.97 [50]	14.23 [361]
2-1/2"	1.18 [30]	6.30 [160]	4.61 [117]	2.56 [65]	14.92 [379]
3"	1.18 [30]	6.89 [175]	5.24 [133]	3.15 [80]	15.53 [394]
4"	1.18 [30]	7.68 [195]	6.02 [153]	3.94 [100]	16.31 [414]
6"	1.57 [40]	10.04 [255]	8.19 [208]	5.91 [150]	18.69 [475]
8"	1.57 [40]	12.20 [310]	10.35 [263]	7.87 [200]	20.76 [527]

## Dimensions (continued)

Dimensions in inches; millimeters in brackets

### VA50...VKF Valve Actuator Assemblies



**Table 5: VA50...VKF Dimensions**

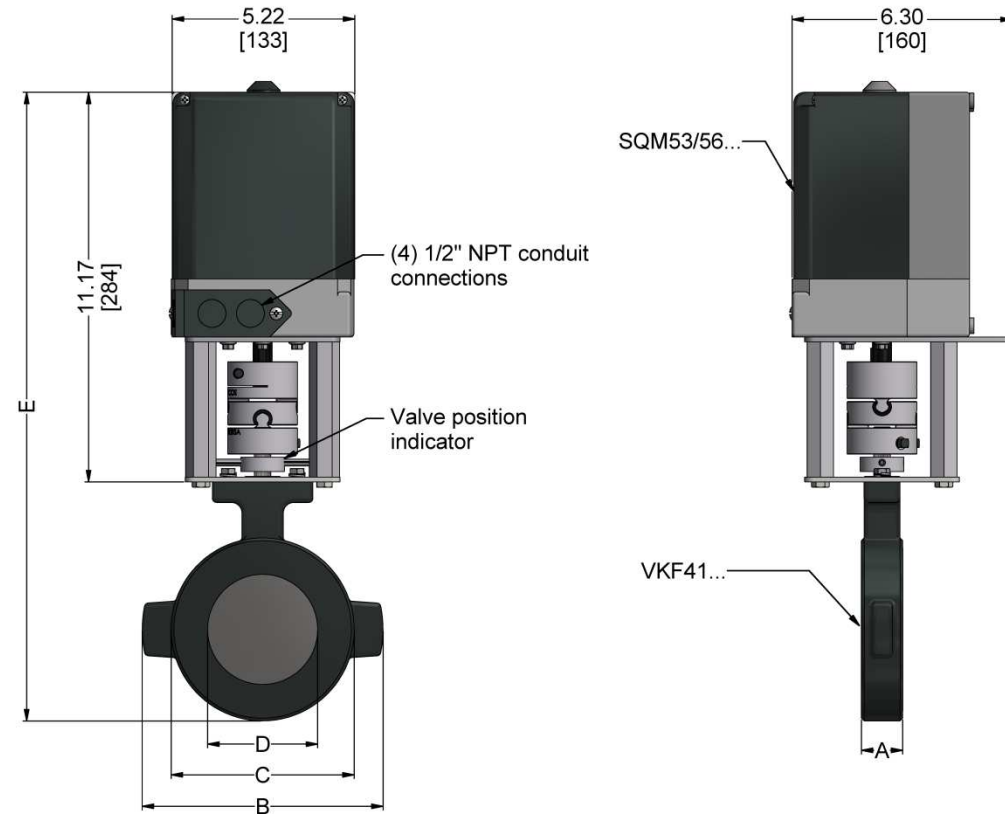
Valve Size	A	B	C	D	E
1-1/2"	1.18 [30]	5.12 [130]	3.43 [87]	1.57 [40]	15.40 [391]
2"	1.18 [30]	5.51 [140]	3.82 [97]	1.97 [50]	15.80 [401]
2-1/2"	1.18 [30]	6.30 [160]	4.61 [117]	2.56 [65]	16.49 [419]
3"	1.18 [30]	6.89 [175]	5.24 [133]	3.15 [80]	17.10 [434]
4"	1.18 [30]	7.68 [195]	6.02 [153]	3.94 [100]	17.88 [454]
6"	1.57 [40]	10.04 [255]	8.19 [208]	5.91 [150]	20.26 [515]
8"	1.57 [40]	12.20 [310]	10.35 [263]	7.87 [200]	22.33 [567]



## Dimensions (continued)

Dimensions in inches; millimeters in brackets

### VA53...VKF and VA56...VKF Valve Actuator Assemblies



**Table 6: VA53...VKF and VA56...VKF Dimensions**

Valve Size	A	B	C	D	E
1-1/2"	1.18 [30]	5.12 [130]	3.43 [87]	1.57 [40]	16.30 [414]
2"	1.18 [30]	5.51 [140]	3.82 [97]	1.97 [50]	16.70 [424]
2-1/2"	1.18 [30]	6.30 [160]	4.61 [117]	2.56 [65]	17.39 [442]
3"	1.18 [30]	6.89 [175]	5.24 [133]	3.15 [80]	18.00 [457]
4"	1.18 [30]	7.68 [195]	6.02 [153]	3.94 [100]	18.78 [477]
6"	1.57 [40]	10.04 [255]	8.19 [208]	5.91 [150]	21.16 [537]
8"	1.57 [40]	12.20 [310]	10.35 [263]	7.87 [200]	23.23 [590]

Information in this publication is based on current specifications. The company reserves the right to make changes in specifications and models as design improvements are introduced. Product or company names mentioned herein may be the trademarks of their respective owners. © 2017 SCC Inc.