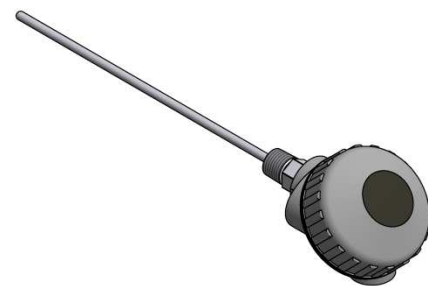
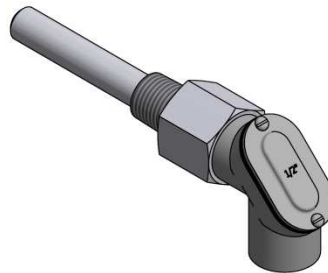


## QAx... Series

---

### QAC... QAE... QAM... Temperature Sensors



---

### Description

QAx... temperature sensors are resistance temperature detectors (RTDs). RTDs work on the principal that the resistance of the sensing element changes as a direct function of the temperature.

---

### Features

- Accurate and reliable indication of temperature
- Easy installation requiring no special tools
- Suitable for media -58 °F to 900 °F depending on model

---

### Application

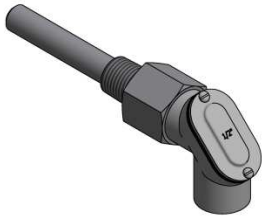
QAx... sensors are used to measure water, steam, air, or exhaust temperature. A variety of sensors are available in order to meet the needs of different applications. QAx temperature sensors are capable of reliably measuring temperatures as low as -58 °F or as high as 900 °F.

---

---

## Specifications

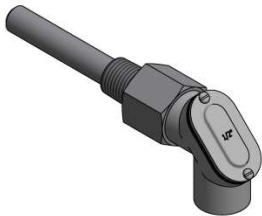
### QAE2012.001



Sensing element	Platinum, 1000 Ohm, 2-wire
Characteristic	385 (see Appendix A, page 8)
Operating temperature	-4 to 374 °F [-20 to 190 °C]
Accuracy	See Appendix A, page 10
Process connection	1/2" NPT on thermowell
Thermowell	2.5" insertion, stainless steel
Weather head	Aluminum, 1/2" NPT
Primary use	Water / ambient air temperature sensor for LMV5x / RWF40 / RWF50 / RWF55

---

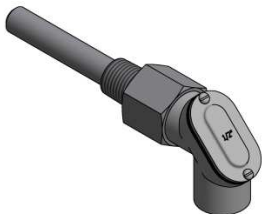
### QAE2020.001



Sensing element	Platinum, 100 Ohm, 3-wire
Characteristic	385 (see Appendix A, page 8)
Operating temperature	-4 to 374 °F [-20 to 190 °C]
Accuracy	See Appendix A, page 10
Process connection	1/2" NPT on thermowell
Thermowell	2.5" insertion, stainless steel
Weather head	Aluminum, 1/2" NPT
Primary use	Water temperature sensor for LMV5x / RWF10 / RWF40 / RWF50 / RWF55

---

### QAE2020.005



Sensing element	Nickel, 1000 Ohm, 2-wire
Characteristic	LG (see Appendix A, page 9)
Operating temperature	-13 to 266 °F [-25 to 130 °C]
Accuracy	See Appendix A, page 10
Process connection	1/2" NPT on thermowell
Thermowell	2.5" insertion, stainless steel
Weather head	Aluminum, 1/2" NPT
Primary use	Water / ambient air temperature sensor for LMV5x / RWF40 / RWF55

---

**Specifications (continued)****QAE2020.010**

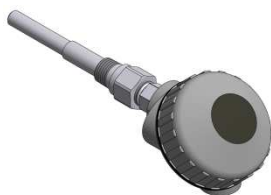
Sensing element	Nickel, 1000 Ohm, 2-wire
Characteristic	LG (see Appendix A, page 9)
Operating temperature	-13 to 266 °F [-25 to 130 °C]
Accuracy	See Appendix A, page 10
Process connection	1/2" NPT on thermowell
Thermowell	4" insertion, stainless steel
Weather head	Aluminum, 1/2" NPT
Primary use	Water / ambient air temperature sensor for LMV5x / RWF40 / RWF55

---

**QAE2020.015**

Sensing element	Nickel, 1000 Ohm, 2-wire
Characteristic	LG (see Appendix A, page 9)
Operating temperature	-13 to 266 °F [-25 to 130 °C]
Accuracy	See Appendix A, page 10
Process connection	1/2" NPT on thermowell
Thermowell	6" insertion, stainless steel
Weather head	Aluminum, 1/2" NPT
Primary use	Water / ambient air temperature sensor for LMV5x / RWF40 / RWF55

---

**QAE2012.903**

Sensing element	Platinum, 100 Ohm, 3-wire
Characteristic	385 (see Appendix A, page 8)
Operating temperature	-50 to 900 °F [-46 to 482 °C]
Accuracy	See Appendix A, page 10
Process connection	1/2" NPT on thermowell
Thermowell	4" insertion, stainless steel
Weather head	Aluminum, 3/4" NPT
Primary use	Water / steam temperature sensor for LMV5x / RWF10 / RWF40 / RWF50 / RWF55
Accessories	<b>QAE-AC-903P:</b> 0-900° to 4-20 mA transmitter

---

## Specifications (continued)

### QAE2012.9002



Sensing element	Platinum, 1000 Ohm, 2-wire
Characteristic	385 (see Appendix A, page 8)
Operating temperature	-50 to 900 °F [-46 to 482 °C]
Accuracy	See Appendix A, page 10
Process connection	1/2" NPT on thermowell
Thermowell	4" insertion, stainless steel
Weather head	Aluminum, 3/4" NPT
Primary use	Water / steam temperature sensor for LMV5x / RWF10 / RWF40 / RWF50 / RWF55

---

### QAC22



Sensing element	Nickel, 1000 Ohm, 2-wire
Characteristic	LG (see Appendix A, page 9)
Operating temperature	-58 to 158 °F [-50 to 70 °C]
Accuracy	See Appendix A, page 10
Process connection	None
Thermowell	None
Weather head	Integral, hole for M16 connection
Primary use	Ambient air temperature sensor for LMV52 / RWF40 / RWF55

---

### QAM-P210



Sensing element	Platinum, 1000 Ohm, 2-wire
Characteristic	385 (see Appendix A, page 8)
Operating temperature	-50 to 900 °F [-46 to 482 °C]
Accuracy	See Appendix A, page 10
Probe	1/4" diameter, 10" long, stainless steel
Process connection	1/2" NPT
Thermowell	None
Weather head	Aluminum, 3/4" NPT
Primary use	Stack temperature sensor for LMV52

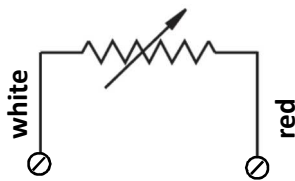
---

## Wiring

QAE2012.001, QAE2020.005,  
QAE2020.010, QAE2020.015



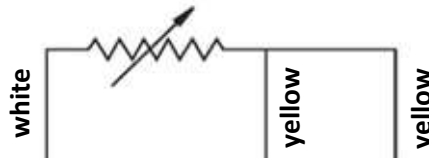
QAE2012.9002, QAM-P210



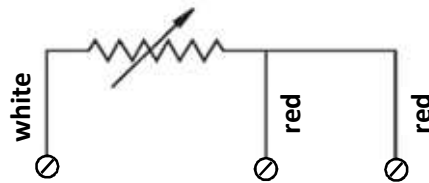
QAC22



QAE2020.001



QAE2012.903



G1+	M1	I1	RWF40... water / steam
3	4	5	RWF10... water / steam
11	12	14	RWF55... water / steam
11	12	13	RWF50... water / steam
X60.1	X60.2	X60.4	LMV5x... water / steam

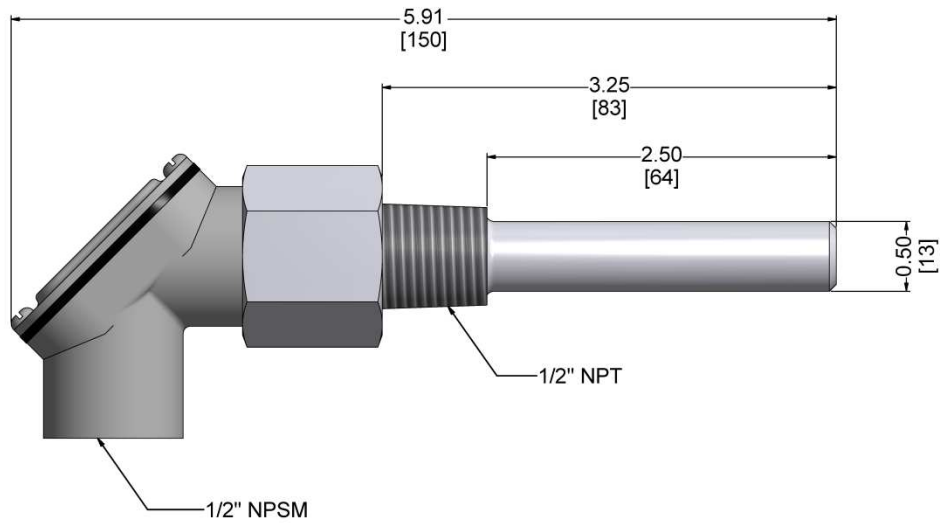
G1+	M1	RWF40... water / steam
B9	M9	RWF40... ambient air
11	14	RWF55... water / steam
31	32	RWF55... ambient air
11	13	RWF50... water / steam
X60.3	X60.4	LMV5x... water / steam
X86.1	X86.2	LMV52... exhaust
X87.1	X87.2	LMV52... ambient air

Note: There is no polarity when wiring a 2-wire RTD.

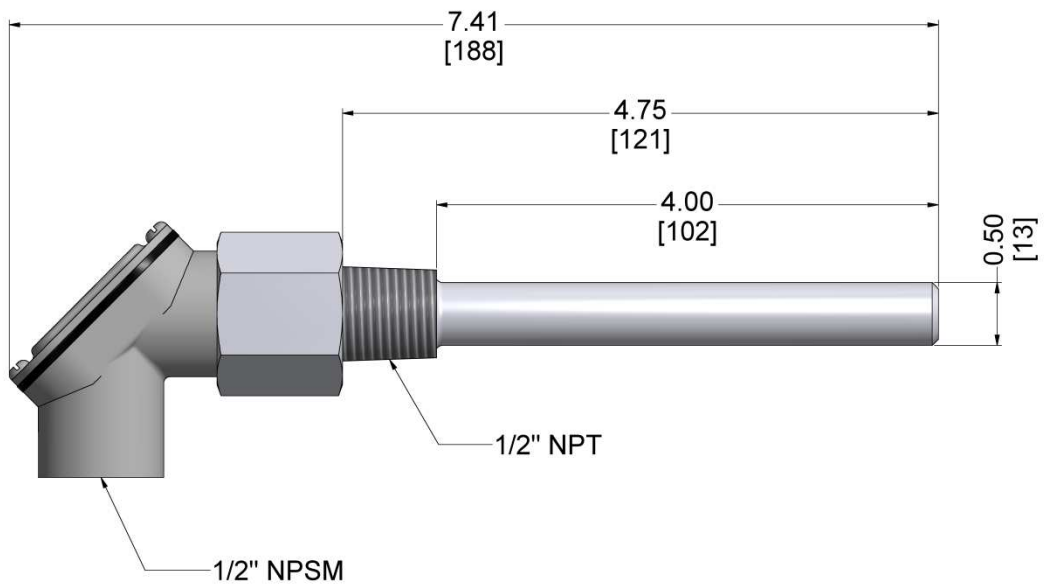
## Dimensions

Dimensions in inches; millimeters in brackets

QAE2012.001, QAE2020.001, QAE2020.005



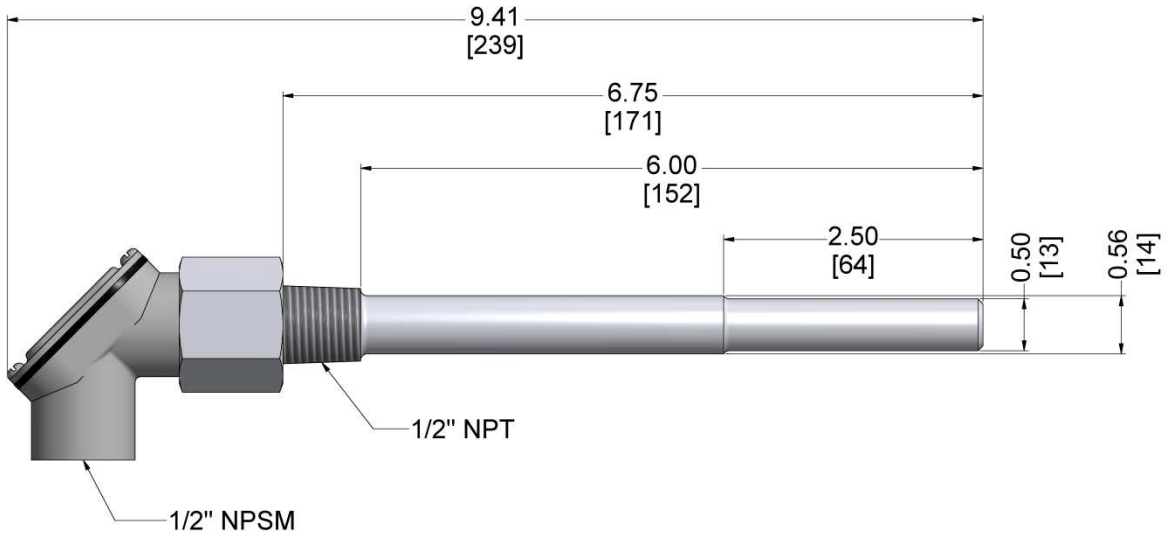
QAE2020.010



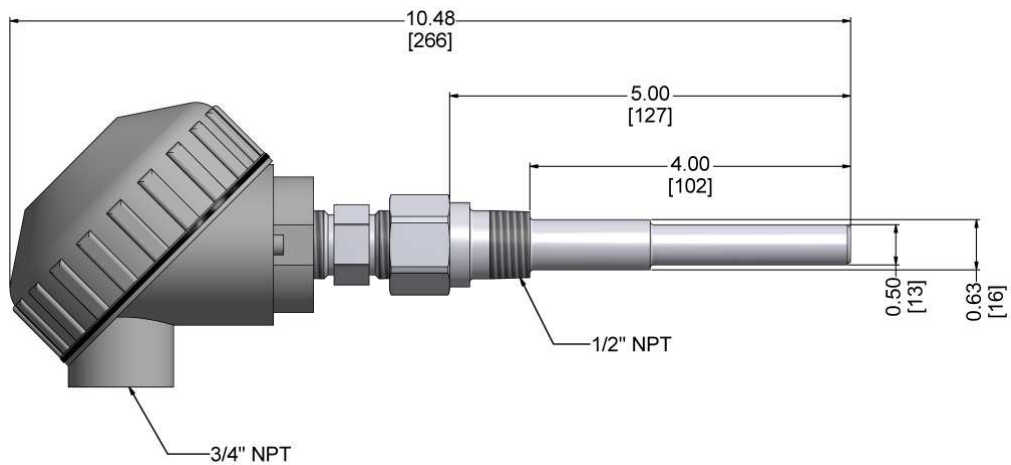
## Dimensions

Dimensions in inches; millimeters in brackets

QAE2020.015



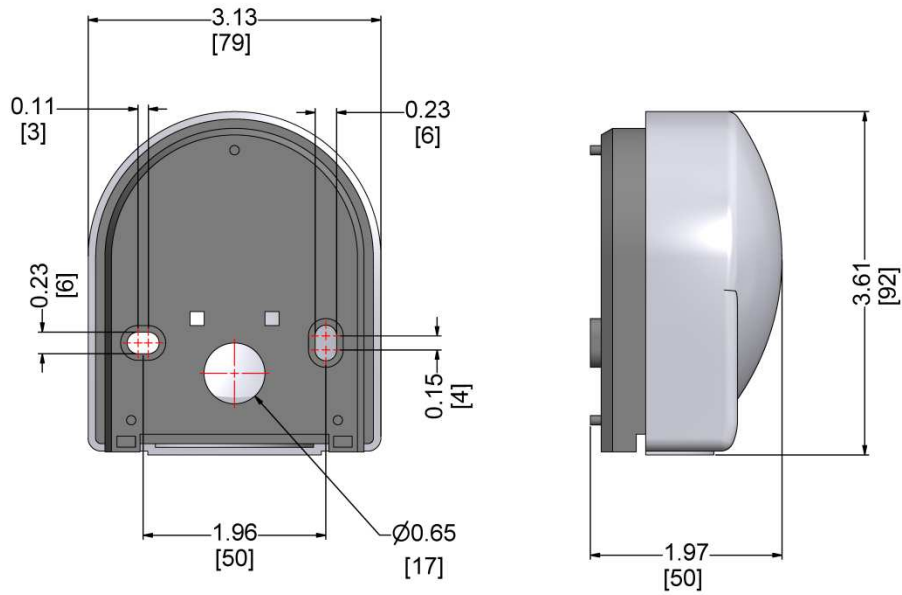
QAE2012.903, QAE2012.9002



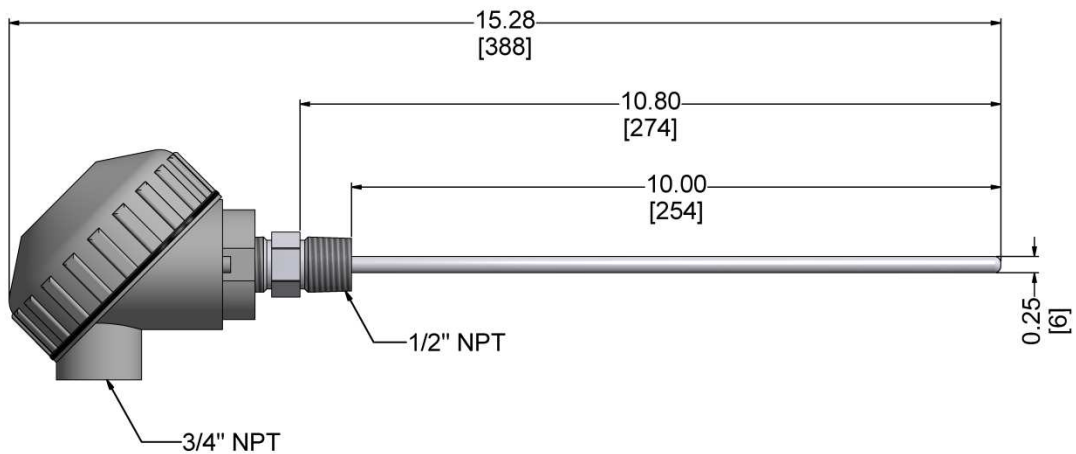
## Dimensions (continued)

Dimensions in inches; millimeters in brackets

### QAC22



### QAM-P210

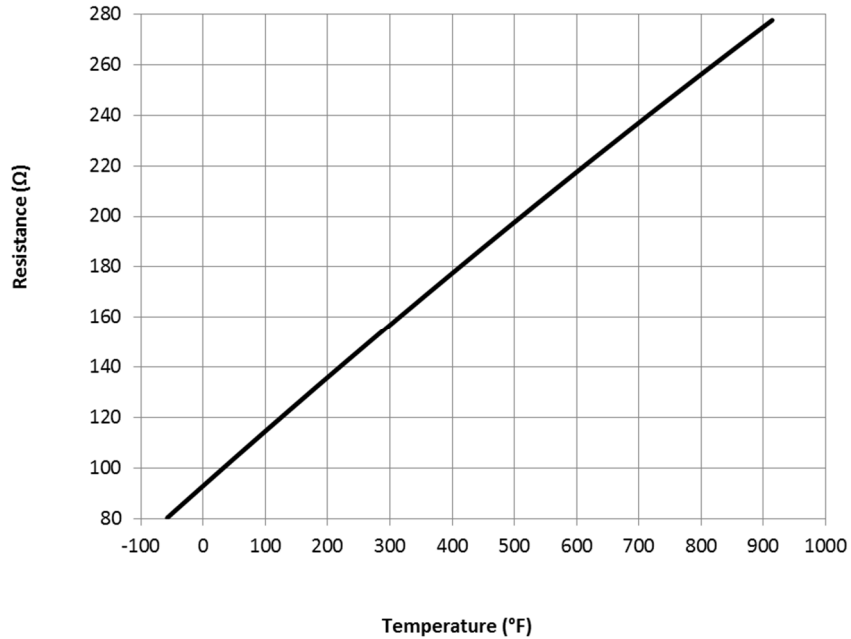




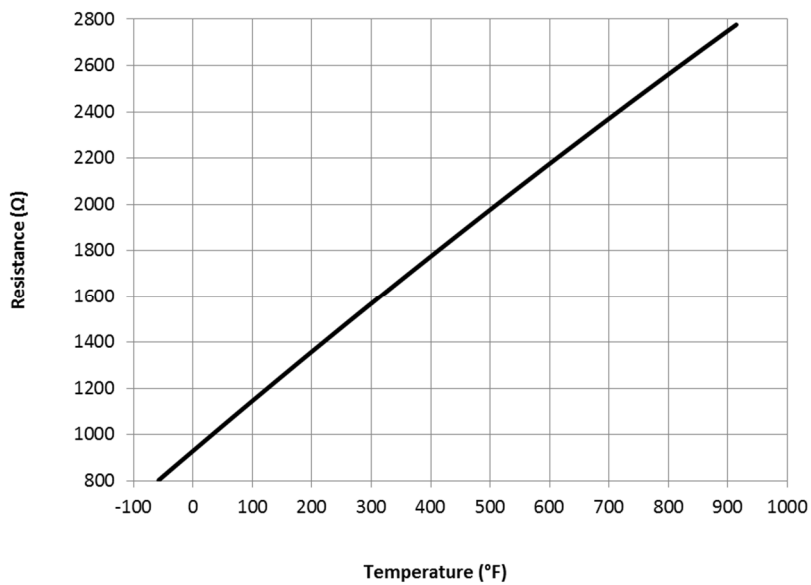
## Appendix A

### Resistance vs. Temperature Charts

#### Pt100, 385 characteristic (QAE2012.903, QAE2020.001)



#### Pt1000, 385 characteristic (QAE2012.001, QAE2012.9002, QAM-P210)

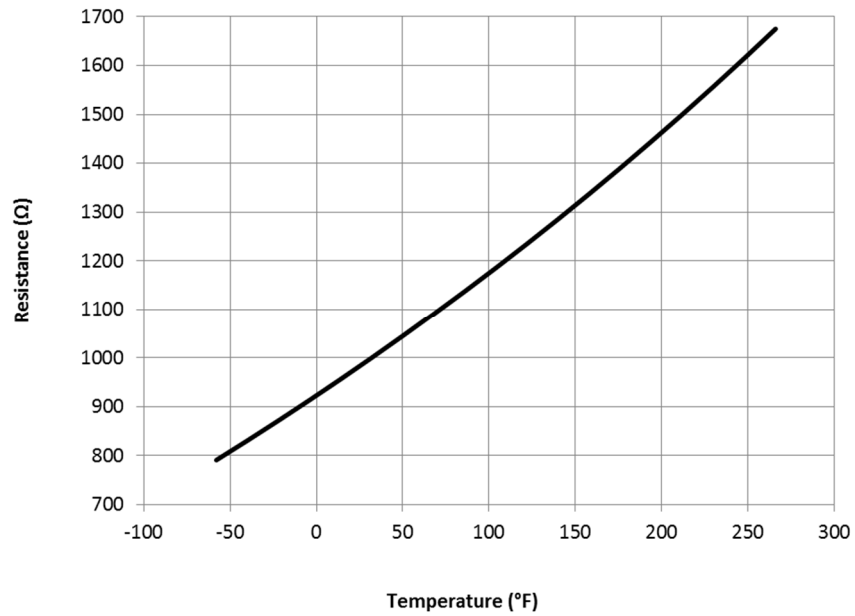


---

## Appendix A (continued)

### Resistance vs. Temperature Charts

Ni1000, LG characteristic (QAC22, QAE2020.005, QAE2020.010, QAE2020.015)



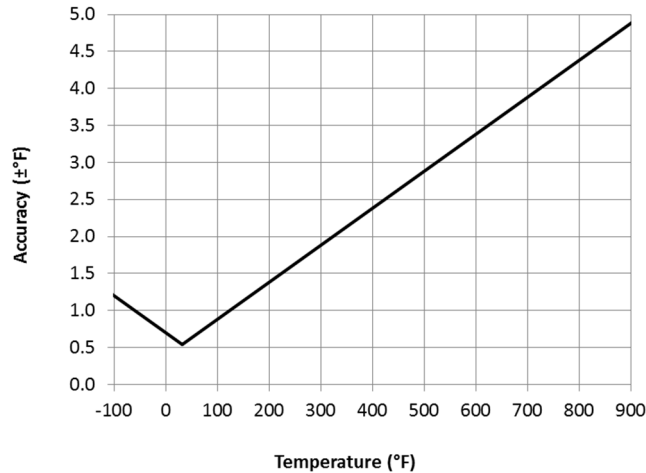
## Appendix A (continued)

### Accuracy

**Pt100 and Pt1000 Sensors (QAE2012.001, QAE2012.903, QAE2012.9002, QAE2020.001, QAM-P210)**

$$\text{Accuracy} = \pm [0.54 + (0.005 \times |T - 32|)]$$

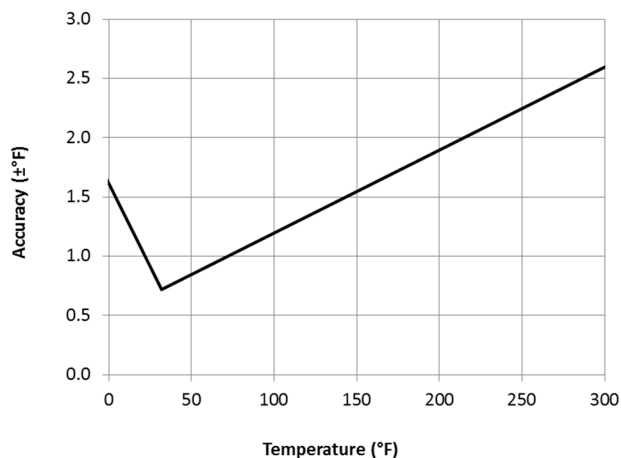
T = Temperature in degrees Fahrenheit



**Ni1000 Sensors (QAC22, QAE2020.005, QAE2020.010, QAE2020.015)**

For T < 32: Accuracy = ± [0.72 + (0.028 x |T - 32|)]  
 For T > 32: Accuracy = ± [0.72 + (0.007 x |T - 32|)]

T = Temperature in degrees Fahrenheit



Information in this publication is based on current specifications. The company reserves the right to make changes in specifications and models as design improvements are introduced. Product or company names mentioned herein may be the trademarks of their respective owners. © 2017 SCC Inc.