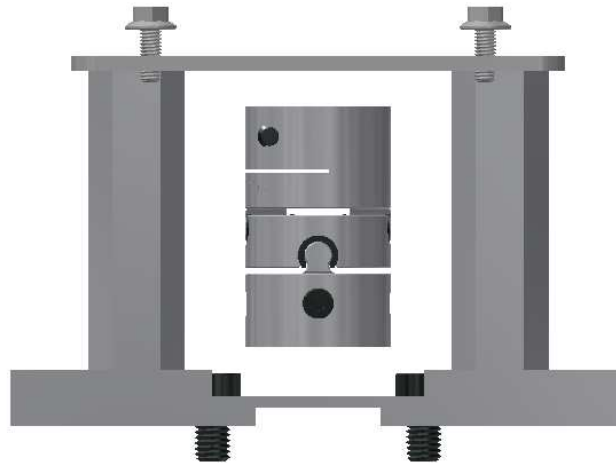


## BR-E-SQM4

---

### Bracket Kit



---

### Description

The BR-E-SQM4 bracket kit reliably mounts a Siemens SQM4... actuator with a 10mm D shaft to an Eclipse™ RatioAir or RatioMatic packaged burner with a capacity of 5 MMBTU/hr or less.

---

### Features

- Easily applied to Eclipse™ packaged burners
- Easy installation requiring no special tools
- Robust bracket design engineered for precise shaft alignment

---

## Components Supplied

Figure 1 shows the components supplied with the BR-E-SQM4 bracket kit:

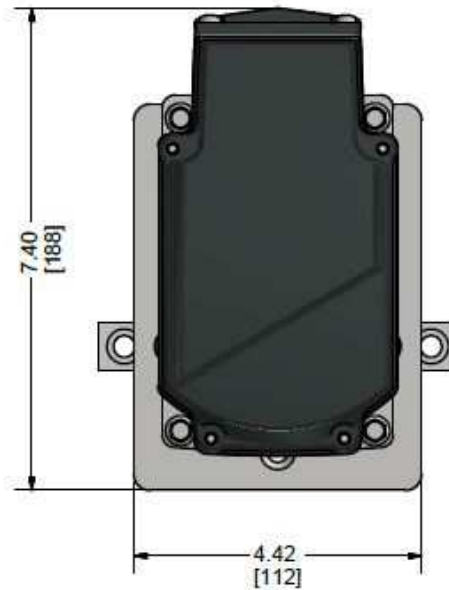
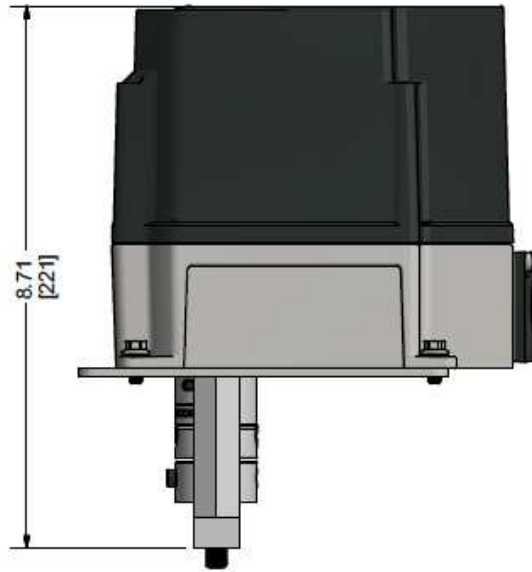


**Figure 1: Pieces Supplied with the BR-E-SQM4 Bracket Kit**

- |  |  |
|--|--|
| 1. Actuator Base Plate                 | 7. (2) ¼''-20 x 1-1/4'' Socket Set Screws    |
| 2. (2) Standoffs                       | 8. (2) M8 Lock Washers                       |
| 3. Mounting Bracket                    | 9. (2) M8 x 12mm Socket Cap Screws           |
| 4. (4) M5 x 12mm Thread-Forming Screws | 10. Coupling                                 |
| 5. M4 Lock Washer                      | 11. (2) ¼''-20 x ¾'' Flat Socket Head Screws |
| 6. M4 x 30mm Socket Cap Screw          |  |

## Dimensions

Dimensions in inches; millimeters in brackets



Information in this publication is based on current specifications. The company reserves the right to make changes in specifications and models as design improvements are introduced. Product or company names mentioned herein may be the trademarks of their respective owners. © 2018 SCC Inc.