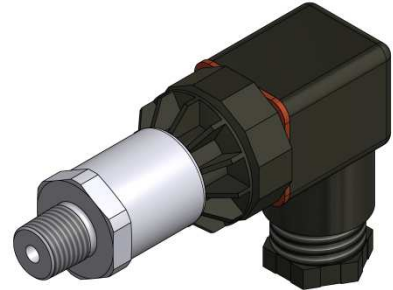


## 7MF Series

---

### Sitrans Pressure Transducers



---

#### Description

7MF... series pressure transducers accurately measure the pressure of liquid, gas, or vapor.

---

#### Features

- Measuring accuracy of 0.25% of full scale
- Temperature-compensated measuring cell
- Suitable for aggressive and non-aggressive media
- Stainless steel NEMA 4 housing
- 1/2" NPT electrical connection
- Compact design

---

#### Application

7MF... series transducers measure the pressure of liquid, gas, or vapor. A selection of transducers is available for measuring pressures up to 750 PSI. 7MF... series pressure transducers produce either a 4-20 mA or 0-10 Vdc output signal that is linearly proportional to the input pressure.

---

## Product Part Numbers

**Table 1: Available 7MF... Pressure Transducers**

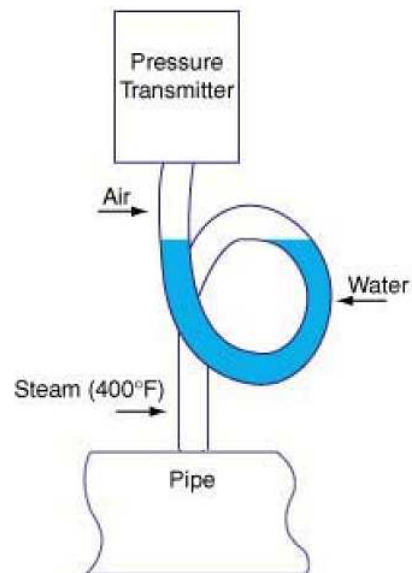
Pressure Range	Output Signal	
	4-20 mA	0-10 Vdc
<b>0-15 PSI</b>	7MF1565-4BB00-5EA1	7MF1565-4BB10-5EA1
<b>0-30 PSI</b>	7MF1565-4BE00-5EA1	7MF1565-4BE10-5EA1
<b>0-60 PSI</b>	7MF1565-4BF00-5EA1	7MF1565-4BF10-5EA1
<b>0-100 PSI</b>	7MF1565-4BG00-5EA1	N/A
<b>0-150 PSI</b>	7MF1565-4CA00-5EA1	7MF1565-4CA10-5EA1
<b>0-200 PSI</b>	7MF1565-4CB00-5EA1	7MF1565-4CB10-5EA1
<b>0-300 PSI</b>	7MF1565-4CD00-5EA1	7MF1565-4CD10-5EA1
<b>0-500 PSI</b>	7MF1565-4CE00-5EA1	7MF1565-4CE10-5EA1
<b>0-750 PSI</b>	7MF1565-4CF00-5EA1	7MF1565-4CF10-5EA1

## Specifications

<b>Physical characteristics</b>	<b>Materials</b>	
	-Housing	Stainless Steel
	-Measuring cell	Ceramic
	-Electronics module	Ceramic
	-Gasket	Viton
	-Process connection	Stainless steel
	<b>Media</b>	Aggressive and non-aggressive liquid, gas, or vapor
	<b>Electrical connection</b>	1/2" NPT
	<b>Process connection</b>	1/4" NPT
	<b>NEMA rating</b>	NEMA 4
	<b>Accuracy</b>	0.25% of full scale
	<b>Process temperature</b>	5 to 257 °F [-15 to 125 °C]
	<b>Ambient temperature</b>	-13 to 185 °F [-25 to 85 °C]
	<b>Weight</b>	0.55 lb [0.25 kg]

## Installation

- The output signal is linearly proportional to the input pressure.
- A steam syphon loop (pig tail) should be installed between the steam source and the pressure transducer as shown in Figure 1. As condensate forms in the syphon loop, it creates a water barrier to protect the transducer from heat and chemicals. On new installations, it is recommended to add water to the syphon loop to protect the transducer when condensate has not yet formed.

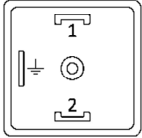
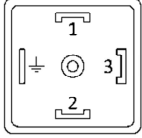
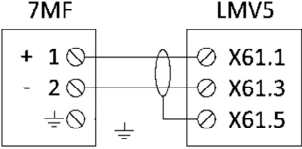
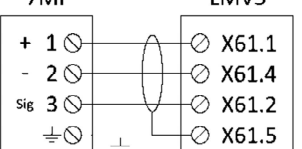
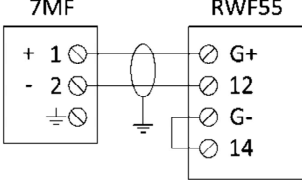
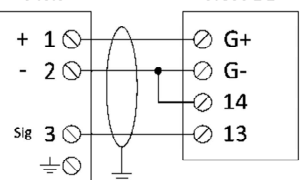
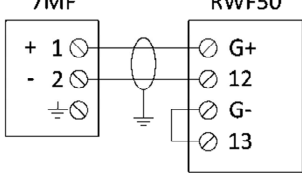
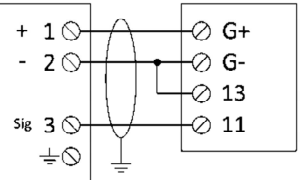
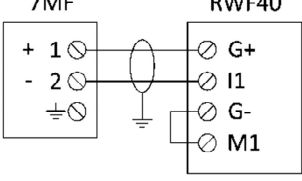
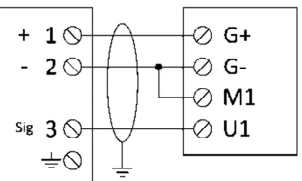
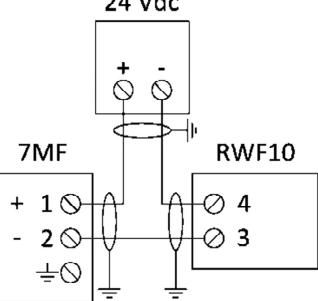
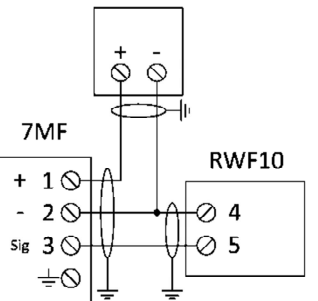


**Figure 1: Example of a Syphon Loop**

- A cord grip comes installed on the back of the transducer for the electrical connection. To use 1/2" conduit instead, remove the cord grip, washer, and packing.

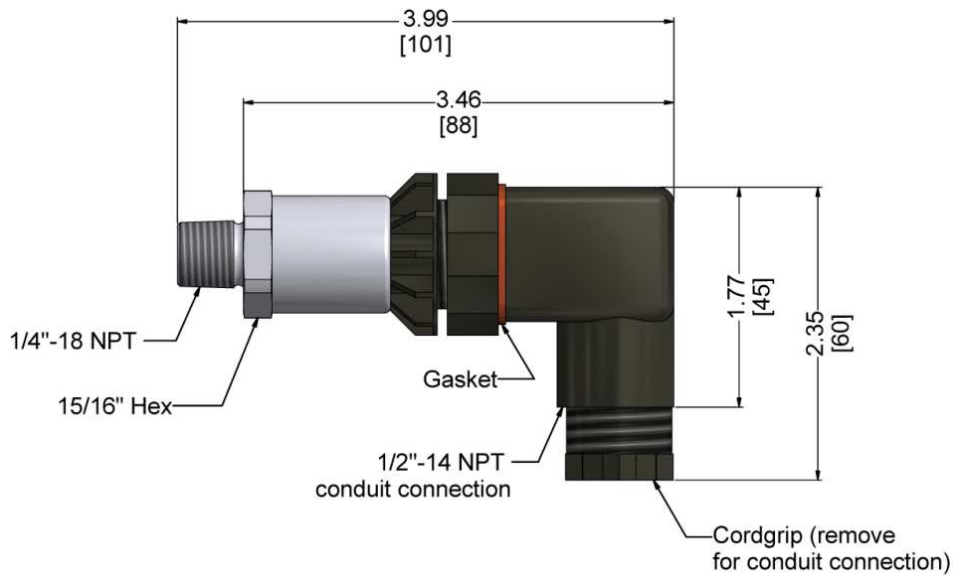
# Wiring

**Table 2: 7MF... Pressure Transducer Wiring**

Controller Type	4-20 mA 	0-10 Vdc 
LMV5...		
RWF55...		
RWF50...		
RWF40...		
RWF10...		

## Dimensions

Dimensions in inches; millimeters in brackets



Information in this publication is based on current specifications. The company reserves the right to make changes in specifications and models as design improvements are introduced. Product or company names mentioned herein may be the trademarks of their respective owners. © 2009 SCC Inc.