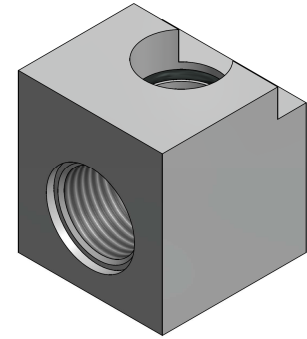


AGG16.U

Product Description

AGG16.U is a right angle adapter used to mount a QRA75 flame scanner onto the end of a flame scanner tube. If the flame scanner tube has high scanner tube temperatures (up to 280 °F), thermal barrier THERMAL-1X75 should be used between the flame scanner tube and AGG16.U. Additionally, heat insulation lens AGG02 or focusing lens AGG03 can be installed into THERMAL-1X75 for certain applications.



Recommended Installation Tools

The following tools are recommended for installing AGG16.U:

- 3mm hex key
- Thread sealing tape

Installation Procedure

1. If neither lens AGG02 nor AGG03 is needed, go to step 2. Place thermal barrier THERMAL-1X75 so that the end with external threads is facing up. In order, drop in the O-ring, lens (for AGG03, the domed side should face the O-ring), wave washer, and snap ring as shown below in Figure 1. The snap ring should snap into the annular groove of THERMAL-1X75.

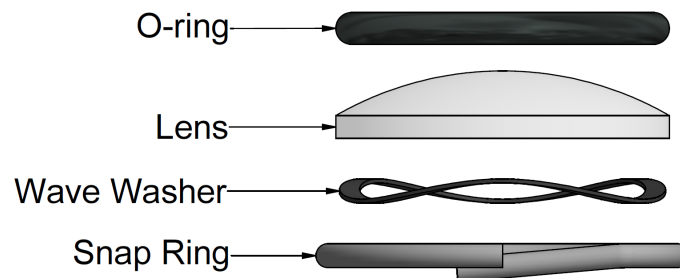


Figure 1: Lens Installation

Installation Procedure (continued)

2. If thermal barrier THERMAL-1X75 is not needed, go to step 3. Screw the thermal barrier into the threads of AGG16.U. Make sure that the O-ring fits into the counterbore of AGG16.U.
3. If thermal barrier THERMAL-1X75 is being used, the assembly can be screwed onto the end of a 3/4" NPT flame scanner tube. Otherwise, AGG16.U can be directly screwed onto the end of a 1" NPT or 1" NPSM flame scanner tube. Sealing tape is recommended for use with 3/4" NPT or 1" NPT threads. AGG16.U can be used with smaller flame scanner tubes by using a pipe bushing having 3/4" NPT (with thermal barrier) or 1" NPT (without thermal barrier) male threads and the appropriate size female threads.
4. Push the barrel of the QRA75 flame scanner into the bore of AGG16.U that has a sealing O-ring. Twist the barrel to help slide the flame scanner through the O-ring as it is pushed in. Slide the QRA75 into the bore until it stops. Rotate the QRA75 so that the UV bulb is in the center of the threaded hole of AGG16.U as shown in Figure 2 below. This will be the case when the sides of the QRA75 flame scanner are parallel with the sides of AGG16.U.
5. Install the clamp that was provided with the QRA75 flame scanner. This is done by placing the clamp in the square groove machined into AGG16.U and installing the two hex head screws provided using a 3mm hex key. The clamp should be flush with the outer edge of AGG16.U. Maximum torque for the hex head screws is 25 in-lb.

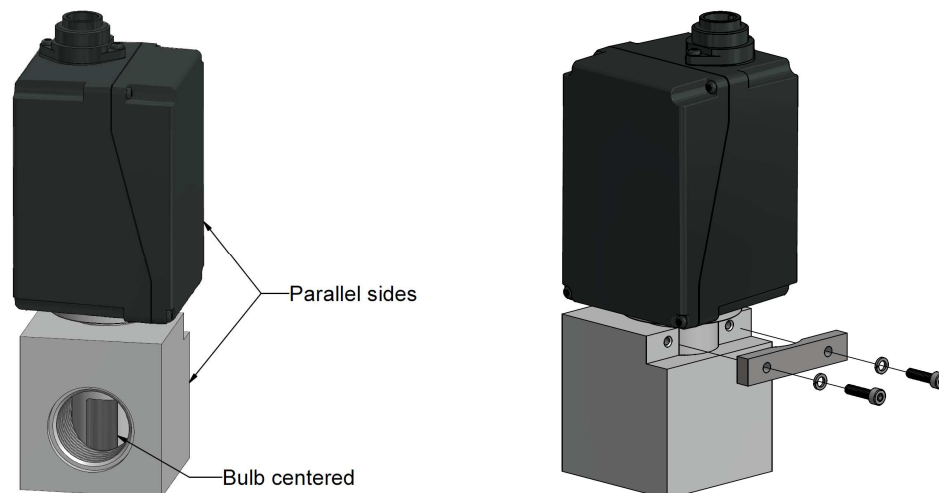


Figure 2: QRA75 Orientation and Clamp Installation

Information in this publication is based on current specifications. The company reserves the right to make changes in specifications and models as design improvements are introduced. Product or company names mentioned herein may be the trademarks of their respective owners. © 2009 SCC Inc.