

AGA93.3

Product Description

AGA93.3 is a bracket kit for mounting any VKG... butterfly valve to a Siemens Gxx... actuator.

Components Supplied

Figure 1 shows the components supplied with the AGA93.3 bracket kit:

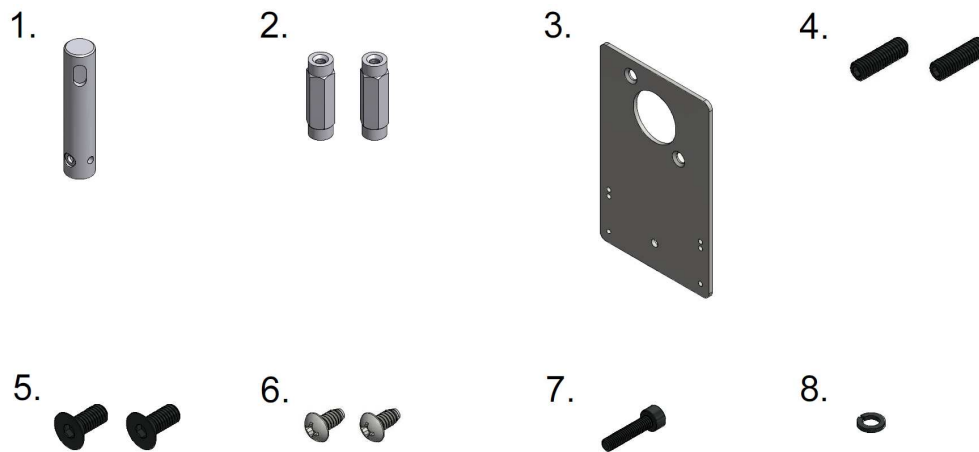


Figure 1: Pieces Supplied with the AGA93.3 Bracket Kit

- | | |
|------------------------------------|--|
| 1. Coupling | 5. (2) M6 x 14mm flat socket head screws |
| 2. (2) hex standoffs | 6. (2) #10-24 x 3/8" thread-forming screws |
| 3. Mounting bracket | 7. M4 x 18mm socket head screw |
| 4. (2) M6 x 22mm socket set screws | 8. M4 split lock washer |

Recommended Installation Tools

The following tools are recommended for installing the AGA93.3 bracket kit:

- 3mm hex key
- 4mm hex key
- 1/2" open end wrench (or crescent wrench)
- Phillips screwdriver
- Red Loctite
- Blue Loctite

Installation Procedure

1. Slide the coupling over the VKG... valve shaft and line up one of the holes in the coupling with the threaded hole in the valve shaft. If mounting a GDE... actuator, make sure that the spotface on the coupling is facing the direction shown below. Using a 3mm hex key, the M4 split lock washer, and the M4 x 18mm socket cap screw, fasten the coupling to the valve shaft as shown in Figure 2 below.

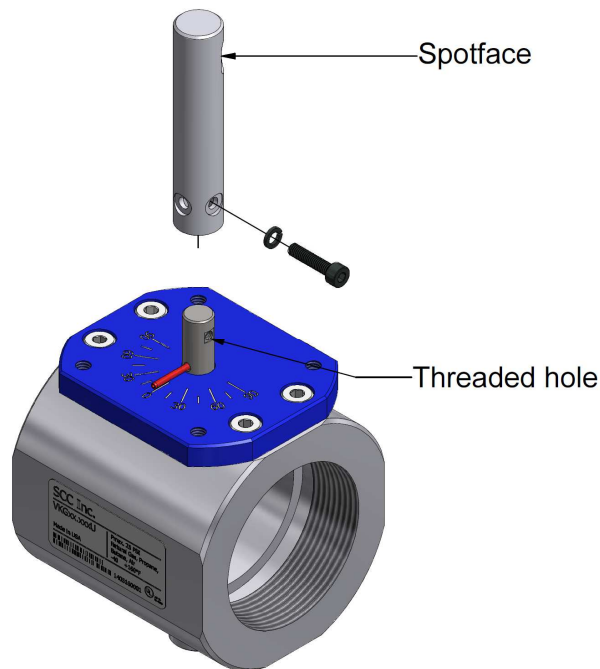


Figure 2: Coupling Installation

2. Place a small amount of red Loctite on the end of each of the (2) M6 x 22mm socket set screws. Using a 3mm hex key, fasten each socket set screw into one end of a hex standoff until the screw bottoms out. By hand, thread the standoffs into the pair of opposite M6 threaded holes on the top of the blue dial of the VKG... valve as shown in Figure 3. Take care to choose the proper pair of holes. Using the 1/2" open end wrench (or crescent wrench), tighten each standoff against the dial.



Figure 3: Standoff Installation

3. Place a small amount of blue Loctite on the end of each of the (2) M6 x 14mm flat socket head screws. Using a 4mm hex key, fasten the mounting bracket to the top of the standoffs as shown in Figure 4 below.

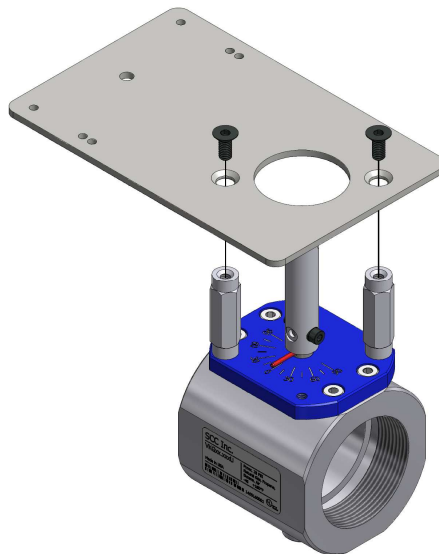


Figure 4: Mounting Bracket Installation

4. Place the Gxx... actuator onto the mounting bracket so that the coupling slides into the hole through the actuator. If desired, trim both sides of the anti-rotation bracket that came with the actuator so that three mounting holes are removed from both sides of the bracket. Doing so will ensure that the anti-rotation bracket does not stick out beyond the edges of the mounting bracket when it is installed.

Slide the anti-rotation bracket underneath the back end of the actuator so that the anti-rotation pin slides inside of the groove on the back of the actuator. Two of the holes in the anti-rotation bracket should then line up with a pair of holes on the mounting bracket. Figure 5 details which pair of holes should be used depending on the actuator being mounted. Using a Phillips screwdriver and the (2) #10-24 x 3/8" thread-forming screws, fasten the anti-rotation bracket to the mounting bracket as shown below in Figure 5. Finally, use the hex key that was provided with the actuator to tighten down the clamp around the coupling. On GDE... actuators, a set screw is used instead of a clamp. The set screw should land on the spotface in the coupling (see Figure 2).

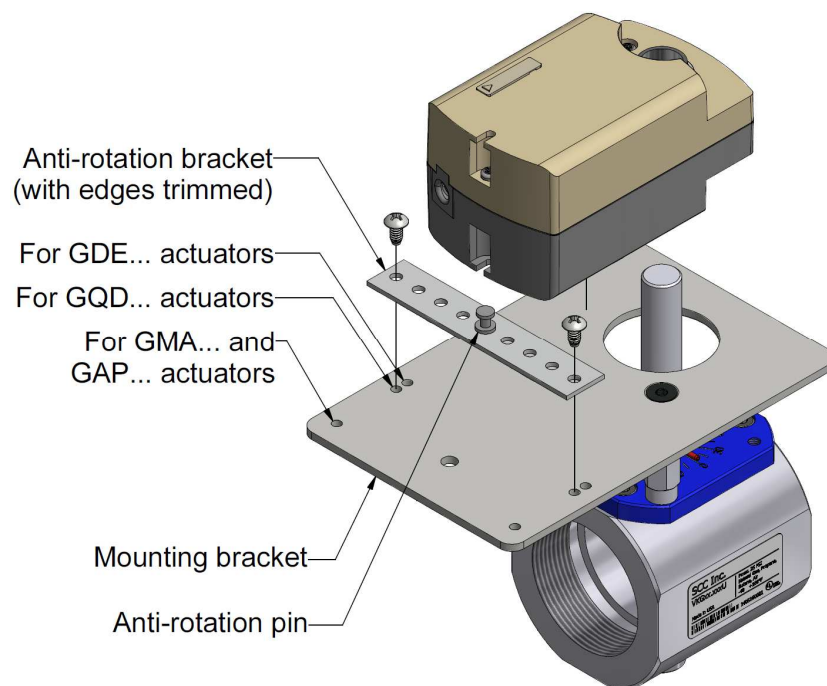


Figure 5: Actuator Installation

Information in this publication is based on current specifications. The company reserves the right to make changes in specifications and models as design improvements are introduced. Product or company names mentioned herein may be the trademarks of their respective owners. © 2009 SCC Inc.