

AGA92.3

Product Description

AGA92.3 is a crank arm kit with (6) 3/8" clearance holes that can be added to any VKG... butterfly valve for use with a linkage system.

Exclusive, patented technology*

Components Supplied

Figure 1 shows the components supplied with the AGA92.3 crank arm kit:

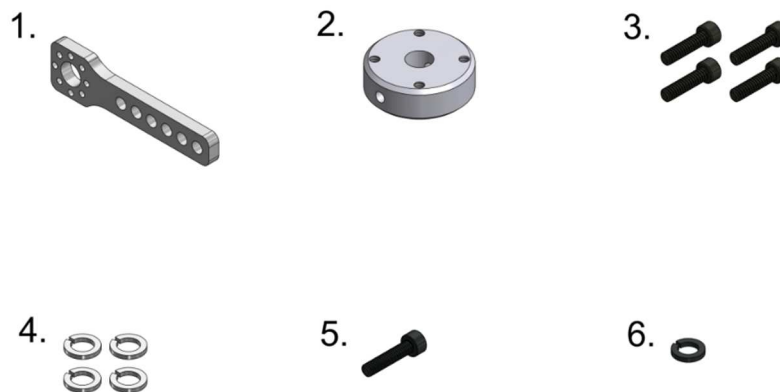


Figure 1: Pieces Supplied with the AGA92.3 Crank Arm Kit

- | | |
|--|-------------------------------|
| 1. Crank arm | 4. (4) #10 split lock washers |
| 2. Shaft adapter | 5. M4 x 18mm socket cap screw |
| 3. (4) #10-24 x 3/4" socket cap screws | 6. M4 split lock washer |

Recommended Installation Tools

The following tools are recommended for installing the AGA92.3 crank arm kit:

- 3mm hex key
- 5/32" hex key

*Patented under US Patent No. 9,915,352

Installation Procedure

1. Slide the shaft adapter over the VKG... valve shaft and line up the hole in the shaft adapter with the threaded hole in the valve shaft. Using a 3mm hex key, the M4 split lock washer, and the M4 x 18mm socket cap screw, fasten the shaft adapter to the valve shaft as shown in Figure 2 below.

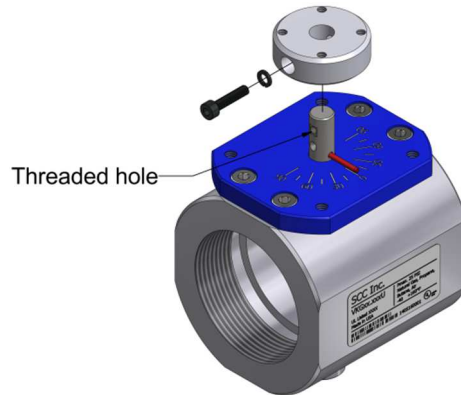


Figure 2: Shaft Adapter Installation

2. Using a 5/32" hex key, the (4) #10 split lock washers, and the (4) #10-24 x 3/4" socket cap screws, fasten the crank arm to the threaded holes in the shaft adapter as shown in Figure 3 below. Note that the crank arm can be installed in (8) different positions relative to the valve to easily connect to the rest of the linkage system.

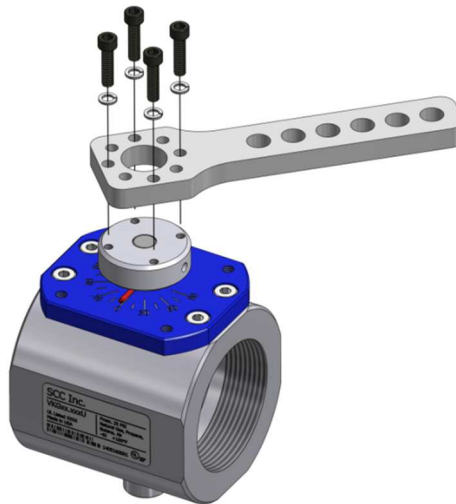


Figure 3: Crank Arm Installation

Information in this publication is based on current specifications. The company reserves the right to make changes in specifications and models as design improvements are introduced. Product or company names mentioned herein may be the trademarks of their respective owners. © 2018 SCC Inc.