

AGK11... plug-in base  
with AGK65... cable gland holder

AGK11... plug-in base  
with AGK66 cable gland holder

## Connection Accessories for small Burner Controls

**AGK11...  
AGK65...  
AGK66**

**Accessories for connecting small-capacity burner controls to combustion plant.**

**The AGK11..., AGK65..., AGK66 and this Data Sheet are intended for use by OEMs which integrate the accessory items in their products.**

### Use

The AGK... are for use in connection with the following types of burner controls:

LGA...  
LGB...  
LGD1...  
LOA...  
LME...  
LMO...

The AGK11... plug-in base is suited for use with the AGK65... cable gland holders or the AGK66.

## Warning notes



**To avoid injury to persons, damage to property or the environment, the following warning notes must be observed!**

- All activities (mounting, installation and service work, etc.) must be performed by qualified staff
- Before making any wiring changes in the connection area, completely isolate the plant from mains supply (all-polar disconnection). Ensure that the plant cannot be inadvertently switched on again and that it is indeed dead. If not observed, there is a risk of electric shock hazard
- Ensure protection against electric shock hazard by providing adequate protection when mounting the burner control. If not observed, there will be a risk of electric shock.
- Each time work has been carried out (mounting, installation, service work, etc.), check to ensure that wiring is in an orderly state and make the safety checks. If not observed, the safety functions are no longer ensured and there will be a risk of electric shock

## Mounting notes

- Ensure that the relevant national safety regulations are complied with
- We recommend to connect the burner controls with a single-section terminal block (no risk of mixing up when reconnecting)
- Connect the earthing lug on the AGK11... plug-in base to the burner using a metric screw with a lockwasher or similar
- The cable and cable gland holders clip onto the AGK11... plug-in base

## Installation notes

- Do not mix up live and neutral conductors
- Decisive for the electrical connections of valves and other burner plant components are the plant diagram and the Mounting and Commissioning Instructions provided by the burner supplier
- To isolate the plant from the mains supply, use an all-polar switch with a contact gap of least 3 mm
- To protect the burner control electrically, install a primary fuse
- To prevent wrong combinations of bases and burner controls, the AGK11.6 plug-in base may only be used in connection with burner controls featuring postpurging (e.g. LME39..., LMO39..., LMO64...)

## Standards and certificates



Note!  
Only in connection with burner controls!



EAC Conformity mark (Eurasian Conformity mark)



ISO 9001:2008  
ISO 14001:2004  
OHSAS 18001:2007

## Disposal notes



Both plug-in base and cable gland holders must not be disposed of together with household waste.

Local and currently valid legislation must be observed.

## Mechanical design

---

AGK11 plug-in base	<ul style="list-style-type: none"><li>- <b>Use for phasing controlled burner controls</b></li><li>- Color Black</li><li>- Made of impact-proof and heat-resistant plastic</li><li>- Accommodates (in addition to the 12 connection terminals):<ul style="list-style-type: none"><li>- 3 neutral terminals, pre-wired to terminal 2, the neutral input</li><li>- 4 earth conductor terminals, joining in a lug for earthing the burner</li><li>- 2 auxiliary terminals marked «31» and «32»</li></ul></li><li>- With 2 holes in the baseplate of the AGK11 for cable entry</li><li>- Provided with catches on the 2 narrow sides which audibly engage when the burner control is plugged in</li><li>- To disengage, a screwdriver must be slightly tilted in the guiding slots</li><li>- Neutral and auxiliary terminals with self-tapping screws</li><li>- Connection terminals with self-locking screws</li><li>- Supplied with terminals open to facilitate mounting</li><li>- The burner control is secured to the burner with fixing screws M5</li></ul>
AGK11.6 plug-in base	<ul style="list-style-type: none"><li>- <b>Use for burner controls with continuous phase</b></li><li>- Color: Silver-grey RAL 9001</li><li>- Other specifications like AGK11</li></ul>
AGK65 cable gland holder	<ul style="list-style-type: none"><li>- Made of impact-proof and heat-resistant plastic</li><li>- Insertable into the AGK11... plug-in base</li><li>- With 5 threaded knockout holes for nonmetallic Pg11 cable glands</li><li>- 3 on the front and 1 on each of the other sides</li><li>- Removable</li></ul>
AGK65.1 cable gland holder	<ul style="list-style-type: none"><li>- Made of impact-proof and heat-resistant plastic</li><li>- Insertable into the AGK11... plug-in base</li><li>- With 5 threaded knockout holes for nonmetallic M16 x 1.5 cable glands</li><li>- 3 on the front and 1 on each of the other sides</li><li>- Removable</li></ul>
AGK66 cable holder	<ul style="list-style-type: none"><li>- Made of impact-proof and heat-resistant plastic</li><li>- Insertable into the AGK11... plug-in base</li><li>- With 6 knockout holes for cable entry, without cable strain relief</li><li>- 1 x 8.8 mm dia. and 1 x 17 mm dia. laterally, 3 x 7 mm dia. on the front, and 1 rectangular opening 6 x 20 mm on the front</li><li>- Can be used in place of the cable gland holder (refer to «Ordering»)</li></ul>

## Ordering

---

<b>Plug-in base</b>	<b>AGK11</b>
<ul style="list-style-type: none"><li>- for phasing controlled burner controls</li><li>- With 2 holes in baseplate</li><li>- Black</li></ul>	
<b>Plug-in base</b>	<b>AGK11.6</b>
<ul style="list-style-type: none"><li>- for burner controls with continuous phase</li><li>- With 2 holes in baseplate</li><li>- Silver-gray RAL 9001</li></ul>	
<b>Cable gland holder</b>	<b>AGK65</b>
<ul style="list-style-type: none"><li>- Pg11</li></ul>	
<b>Cable gland holder</b>	<b>AGK65.1</b>
<ul style="list-style-type: none"><li>- M16 x 1.5</li></ul>	
<b>Cable holder with knockout holes</b>	<b>AGK66</b>

## Technical data

General data	Weight	
	- AGK11... plug-in base	Approx. 80 g
	- AGK66 cable holder	Approx. 12 g
	- AGK65... cable gland holder	Approx. 12 g
	<hr/>	
	Tightening torque	To DIN EN 60335-1
	- Cable with ferrules	50 Ncm
	<hr/>	
	Loosening torque	40 Ncm
	<hr/>	
Cross sectional areas that can be connected to AGK11...		
- Terminals 1...12	Min. 0.5 mm <sup>2</sup> Max. 1.5 mm <sup>2</sup> Solid or stranded wire with ferrule	
- Auxiliary terminals N, PE, 31 and 32	Min. 0.5 mm <sup>2</sup> Max. 1.5 mm <sup>2</sup> Solid or stranded wire with ferrule (if 2 wires are connected to the same terminal, they must have the same cross-sectional area)	
<hr/>		
Environmental conditions	<b>Storage</b>	DIN EN 60721-3-1
	Climatic conditions	Class 1K3
	Mechanical conditions	Class 1M2
	Temperature range	-20...+60 °C
	Humidity	<95 % r.F.
	<hr/>	
	<b>Transport</b>	DIN EN 60721-3-2
	Climatic conditions	Class 2K2
	Mechanical conditions	Class 2M2
	Temperature range	-40...+60 °C
	Humidity	<95 % r.h.
	<hr/>	
	<b>Operation</b>	DIN EN 60721-3-3
	Climatic conditions	Class 3K5
	Mechanical conditions	Class 3M2
Temperature range	-20...+60 °C	
Humidity	<95 % r.h.	



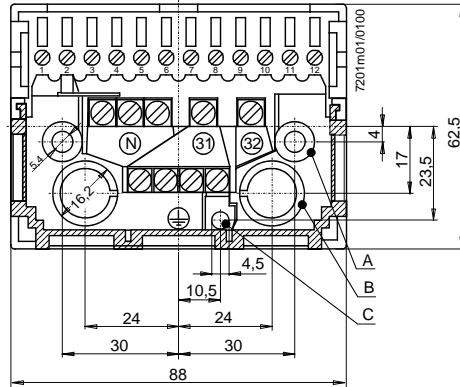
### Warning!

Condensation, formation of ice and ingress of water are not permitted!  
If not observed, the safety functions are no longer ensured and there will be a risk of electric shock.

## Dimensions

### Dimensions in mm

#### AGK11... plug-in base



AGK11... plug-in base with screw terminals

«A»: Holes for fixing screws

«B»: Holes for cable entry

«C»: Earthing lug

«31» and «32»: Auxiliary terminals

«N»: Neutral terminals, connected to neutral input (terminal 2)

Underneath:

4 earth conductor terminals, joining in a lug for earthing the burner

Hatched:

Position of AGK65... cable gland holder and AGK66 cable holder

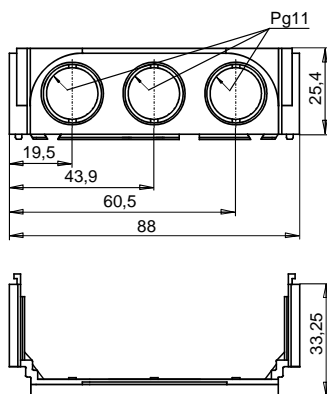


#### Attention!

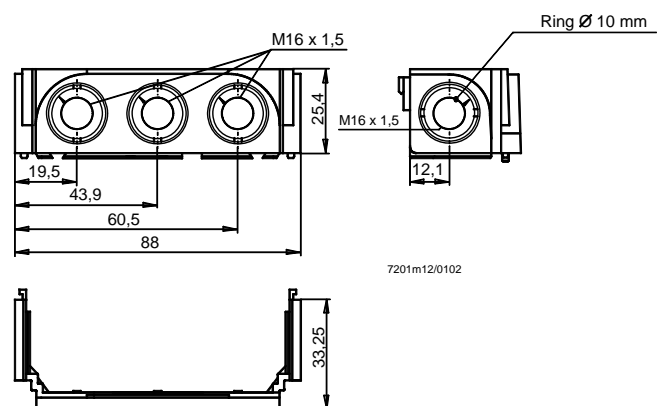
**Connection of earthing lug «C» and fixing screw in «A» to the burner's ground (using a metric screw with a lockwasher or similar!)**

**If this is not observed, there is a risk of electric shock.**

#### AGK65 cable gland holder



#### AGK65.1 cable gland holder



#### AGK66 cable holder

